



Fall Protection



**EN360: 2002**  
**EN341: 1992 Class D**  
**EN1496: 2006 Class B**

**CE Type Test**

No. 2777  
 Satra Technology Europe Ltd  
 Bracetown Business Park  
 Clonee,  
 Dublin  
 D15 YN2P, Ireland

**CE Production Quality Control**

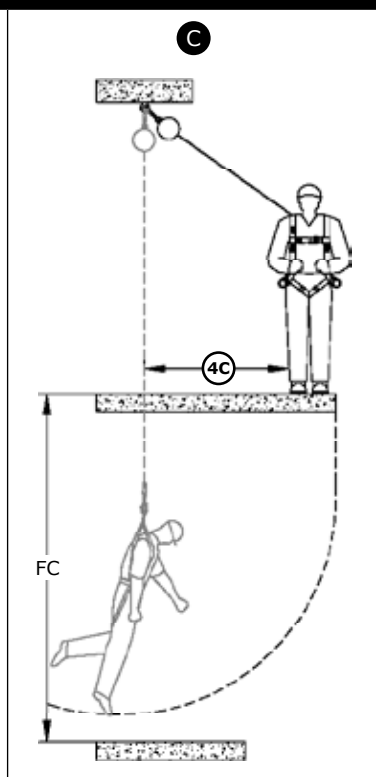
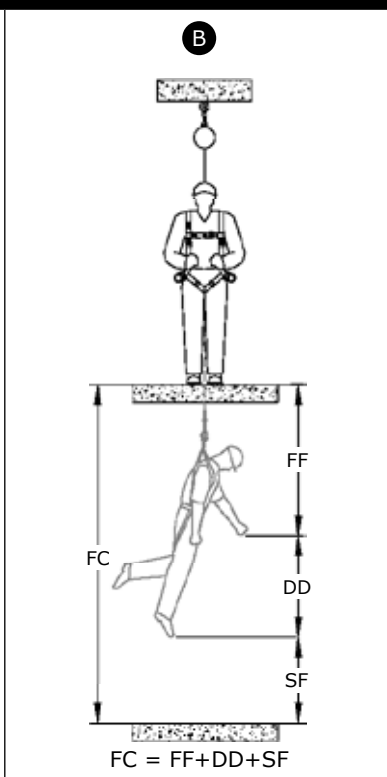
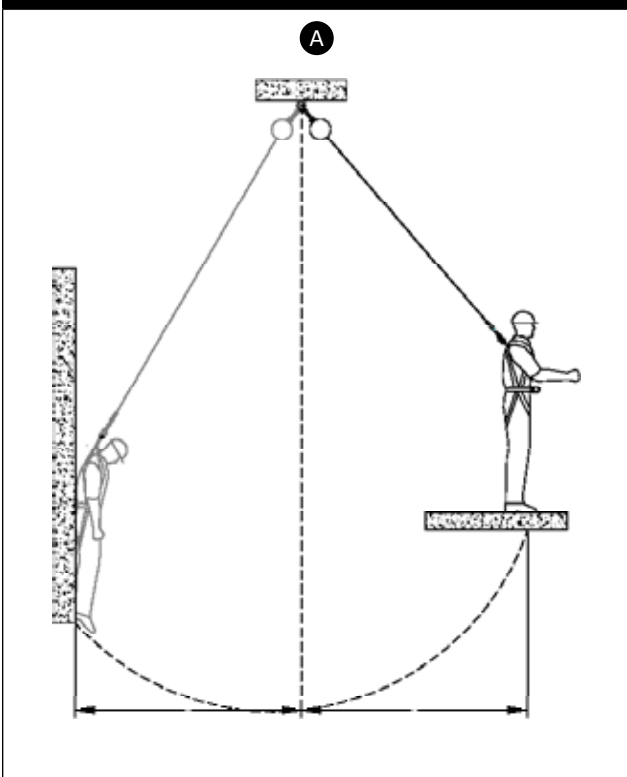
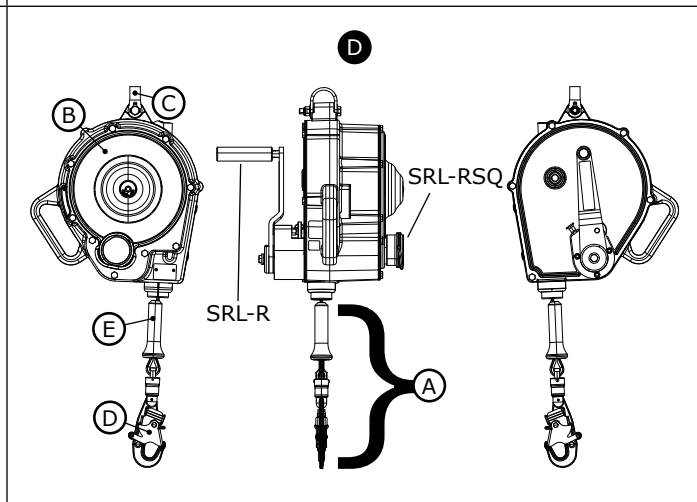
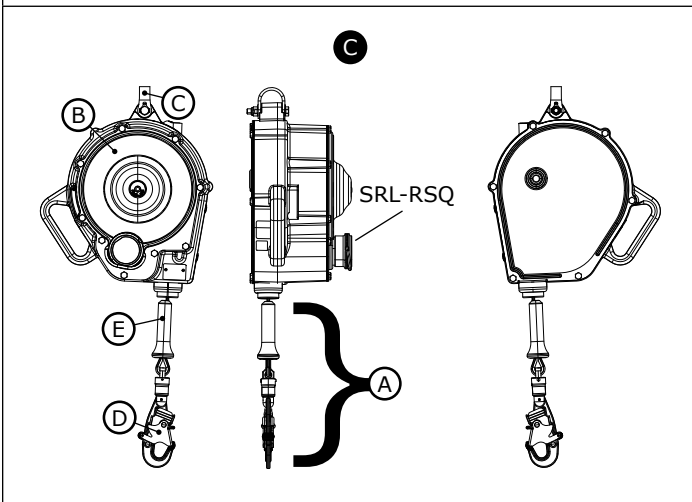
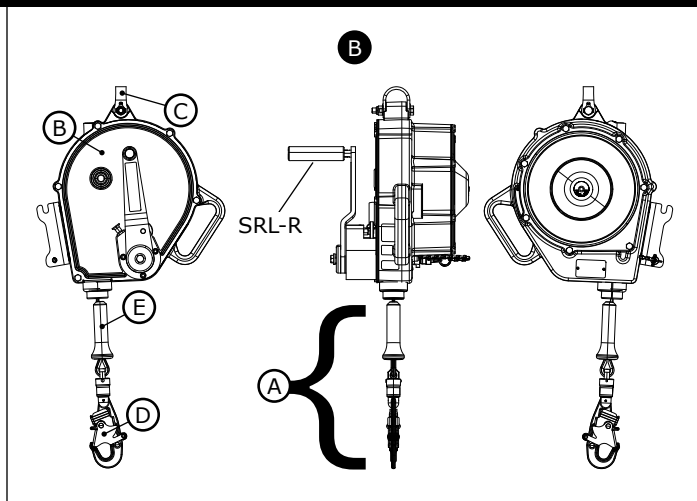
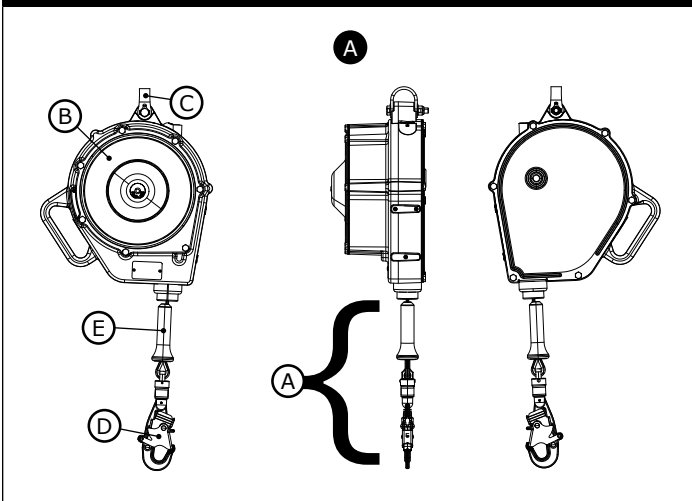
No. 0086  
 BSI  
 Kitemark Court  
 Davy Avenue  
 Knowlhill  
 Milton Keynes

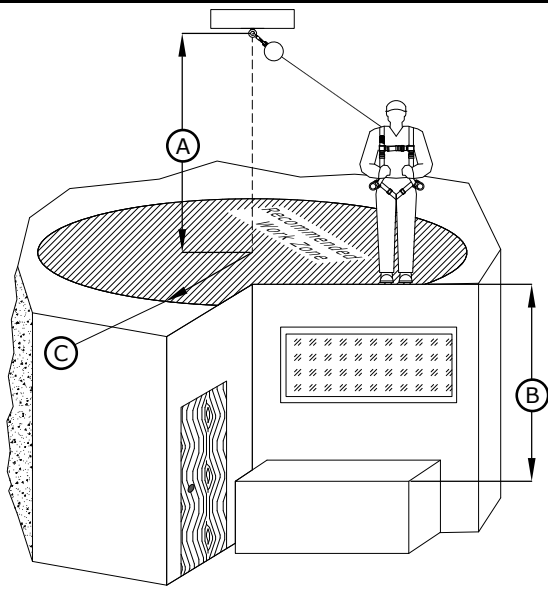
# SEALED-BLOK SELF-RETRACTING DEVICES

## INSTRUCTION MANUAL 5903776 REV. B

**1**

	Sealed-Blok	EN341	EN1496	FAST-Line	LL	L	W	D	1 x 1
	(A) 3400838			3401714	15 m (50 ft)	25 cm (10.2 in)	19 cm (7.6 in)	11 cm (5.4 in)	140 kg (310 lbs)
	(A) 3400950			3900105	15 m (50 ft)	25 cm (10.2 in)	19 cm (7.6 in)	11 cm (5.4 in)	140 kg (310 lbs)
	(A) 3400951			3900107	15 m (50 ft)	25 cm (10.2 in)	19 cm (7.6 in)	11 cm (5.4 in)	140 kg (310 lbs)
	(A) 3400952			3401403	15 m (50 ft)	25 cm (10.2 in)	19 cm (7.6 in)	11 cm (5.4 in)	140 kg (310 lbs)
	(A) 3400866			3900108	26 m (85 ft)	41 cm (16 in)	25 cm (9.9 in)	17 cm (6.7 in)	140 kg (310 lbs)
	(A) 3400867			3900111	26 m (85 ft)	41 cm (16 in)	25 cm (9.9 in)	17 cm (6.7 in)	140 kg (310 lbs)
	(A) 3400971			3900112	40 m (130 ft)	48 cm (18.7 in)	30 cm (11.7 in)	18 cm (7.2 in)	140 kg (310 lbs)
	(A) 3400972			3900113	40 m (130 ft)	48 cm (18.7 in)	30 cm (11.7 in)	18 cm (7.2 in)	140 kg (310 lbs)
	(A) 3400656			3900168	53 m (175 ft)	42.7 cm (16.8 in)	35.6 cm (14 in)	31.2 cm (12.3 in)	140 kg (310 lbs)
	(A) 3400657			3900169	53 m (175 ft)	42.7 cm (16.8 in)	35.6 cm (14 in)	31.2 cm (12.3 in)	140 kg (310 lbs)
	(A) 3400658			3900170	53 m (175 ft)	42.7 cm (16.8 in)	35.6 cm (14 in)	31.2 cm (12.3 in)	140 kg (310 lbs)
	(B) 3400955		✓	3900105	15 m (50 ft)	25 cm (10.2 in)	19 cm (7.6 in)	11 cm (5.4 in)	140 kg (310 lbs)
	(B) 3400956		✓	3900168	15 m (50 ft)	25 cm (10.2 in)	19 cm (7.6 in)	11 cm (5.4 in)	140 kg (310 lbs)
	(B) 3400880		✓	3900108	26 m (85 ft)	41 cm (16 in)	25 cm (9.9 in)	17 cm (6.7 in)	140 kg (310 lbs)
	(B) 3400881		✓	3900111	26 m (85 ft)	41 cm (16 in)	25 cm (9.9 in)	17 cm (6.7 in)	140 kg (310 lbs)
	(B) 3400985		✓	3900112	40 m (130 ft)	48 cm (18.7 in)	30 cm (11.7 in)	18 cm (7.2 in)	140 kg (310 lbs)
	(B) 3400986		✓	3900113	40 m (130 ft)	48 cm (18.7 in)	30 cm (11.7 in)	18 cm (7.2 in)	140 kg (310 lbs)
	(C) 3400960	✓		3900106	15 m (50 ft)	25 cm (10.2 in)	19 cm (7.6 in)	11 cm (5.4 in)	140 kg (310 lbs)
	(C) 3400961	✓		3900107	15 m (50 ft)	25 cm (10.2 in)	19 cm (7.6 in)	11 cm (5.4 in)	140 kg (310 lbs)
	(C) 3400891	✓		3900108	26 m (85 ft)	41 cm (16 in)	25 cm (9.9 in)	17 cm (6.7 in)	140 kg (310 lbs)
	(C) 3400892	✓		3900111	26 m (85 ft)	41 cm (16 in)	25 cm (9.9 in)	17 cm (6.7 in)	140 kg (310 lbs)
	(C) 3400997	✓		3900113	40 m (130 ft)	48 cm (18.7 in)	30 cm (11.7 in)	18 cm (7.2 in)	140 kg (310 lbs)
	(D) 3400944	✓	✓	3900107	15 m (50 ft)	25 cm (10.2 in)	19 cm (7.6 in)	11 cm (5.4 in)	140 kg (310 lbs)
	(D) 3400917	✓	✓	3900111	26 m (85 ft)	41 cm (16 in)	25 cm (9.9 in)	17 cm (6.7 in)	140 kg (310 lbs)

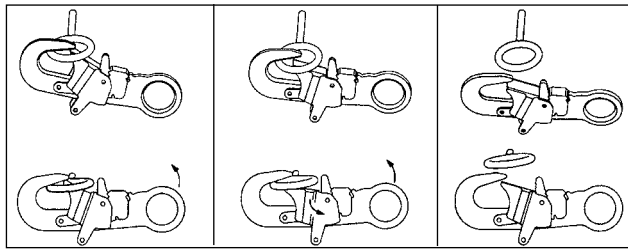




	<b>B</b>					
	<b>&lt;6 ft (1.8m)</b>	<b>6 ft (1.8m)</b>	<b>7 ft (2.1m)</b>	<b>8 ft (2.4m)</b>	<b>9 ft (2.7m)</b>	<b>≥10 ft (3m)</b>
<b>8 ft (2.4m)</b>		0 ft (0m)	2.5 ft (0.76m)	3.8 ft (1.16m)	5 ft (1.52m)	6.1 ft (1.86m)
<b>10 ft (3m)</b>		0 ft (0m)	3.2 ft (0.98m)	4.7 ft (1.43m)	6.1 ft (1.86m)	7.3 ft (2.23m)
<b>20 ft (6.1m)</b>		0 ft (0m)	5.5 ft (1.68m)	7.9 ft (2.41m)	9.8 ft (2.99m)	11.5 ft (3.51m)
<b>30 ft (9.1m)</b>		0 ft (0m)	7.1 ft (2.16m)	10.1 ft (3.08m)	12.5 ft (3.81m)	14.6 ft (4.45m)
<b>50 (15.2)</b>		0 ft (0m)	9.5 ft (2.90m)	13.5 ft (4.11m)	16.6 ft (5.06m)	19.3 ft (5.88m)
<b>70 ft (21.3m)</b>		0 ft (0m)	11.4 ft (3.47m)	16.2 ft (4.94m)	19.9 ft (6.07m)	23.1 ft (7.04m)
<b>90 ft (27.4m)</b>		0 ft (0m)	13 ft (3.96m)	18.5 ft (5.64m)	22.7 ft (6.92m)	26.3 ft (8.02m)
<b>110 ft (33.5m)</b>		0 ft (0m)	14.5 ft (4.42m)	20.6 ft (6.28m)	25.2 ft (7.68m)	29.2 ft (8.9m)
<b>130 ft (39.6m)</b>		0 ft (0m)	15.8 ft (4.82m)	22.4 ft (6.83m)	27.5 ft (8.38m)	31.8 ft (9.69m)
<b>150 ft (45.7m)</b>		0 ft (0m)	17.4 ft (5.30m)	24.1 ft (7.35m)	29.6 ft (9.02m)	34.2 ft (10.42m)
<b>170 ft (51.8m)</b>		0 ft (0m)	18.2 ft (5.55m)	25.7 ft (7.83m)	31.6 ft (9.63m)	36.5 ft (11.13m)
<b>190 ft (57.9)</b>		0 ft (0m)	19.2 ft (5.85m)	27.2 ft (8.29m)	33.4 ft (10.18m)	38.6 ft (11.77m)

**C**

5

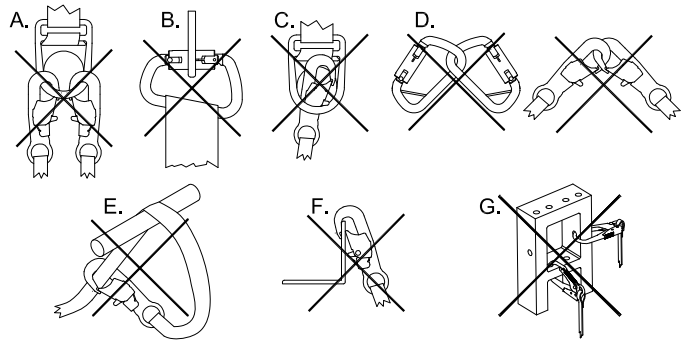


A

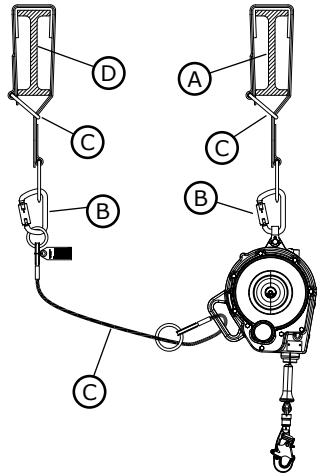
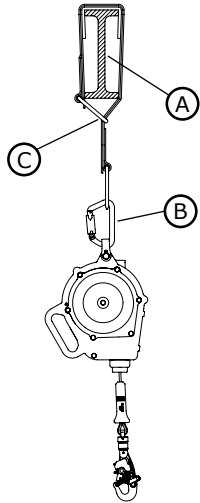
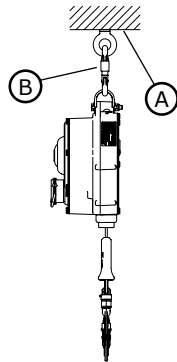
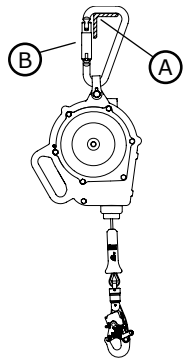
B

C

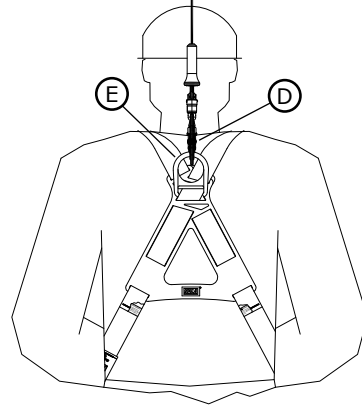
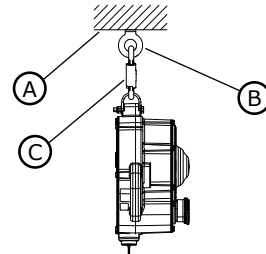
6



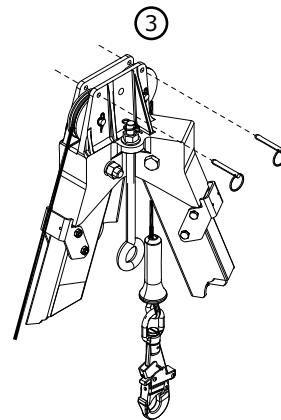
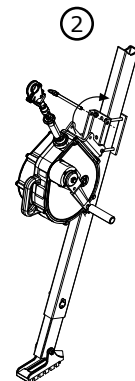
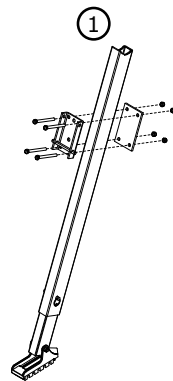
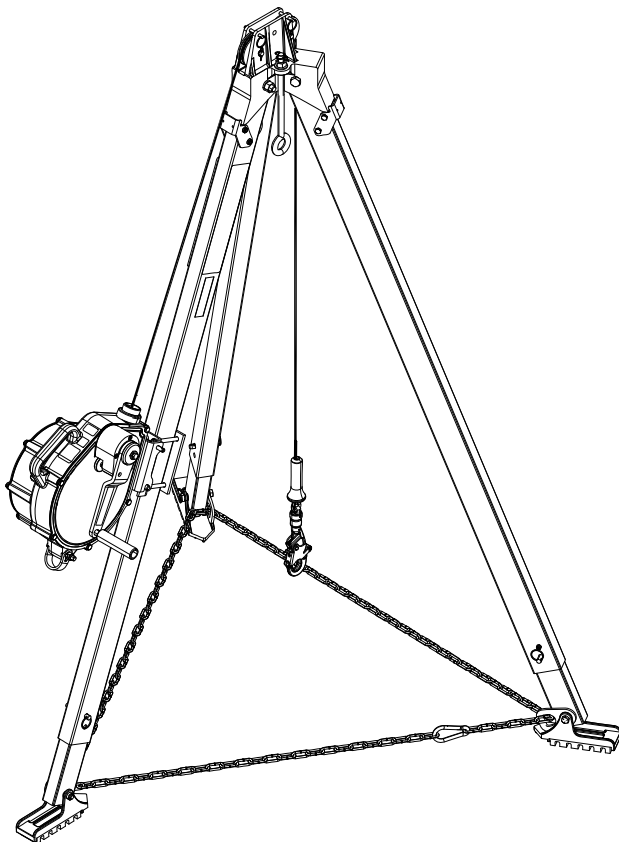
7

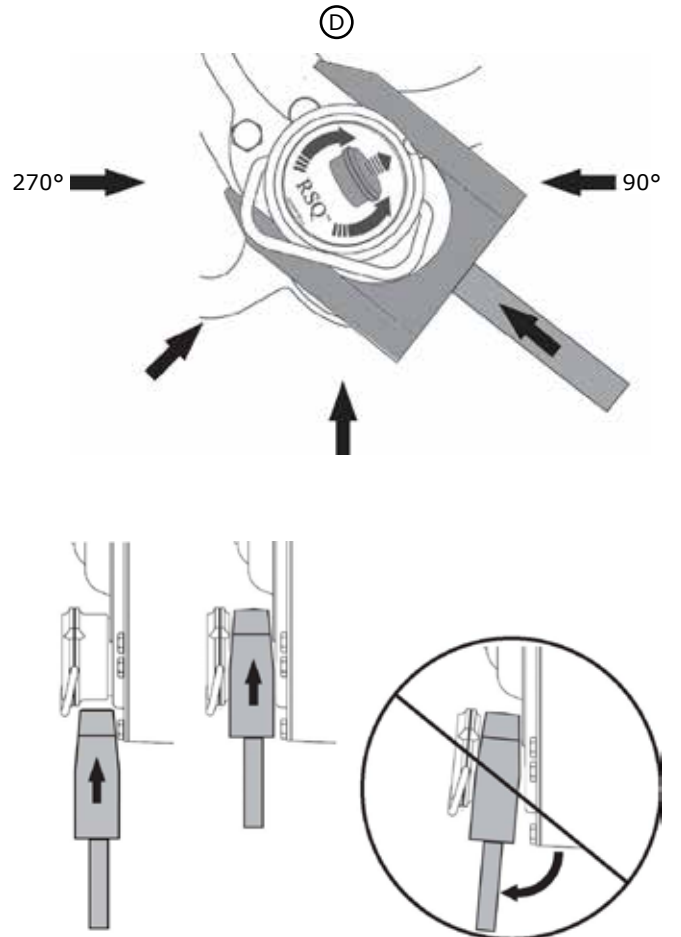
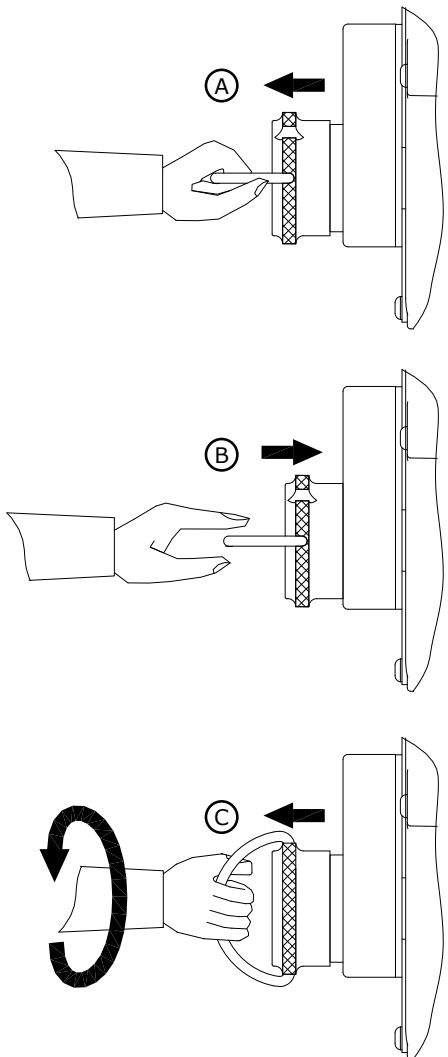
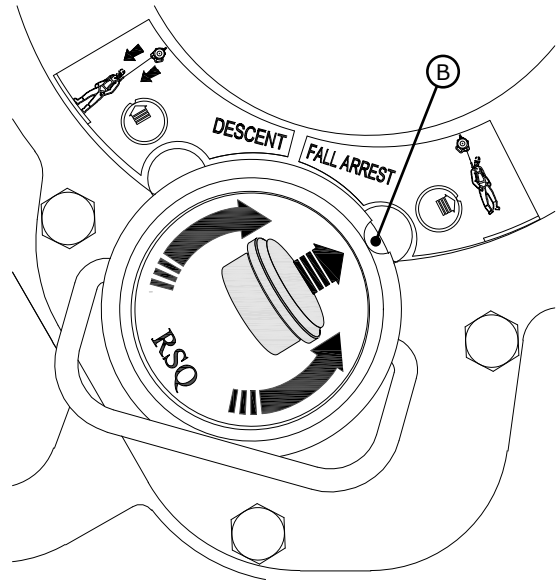
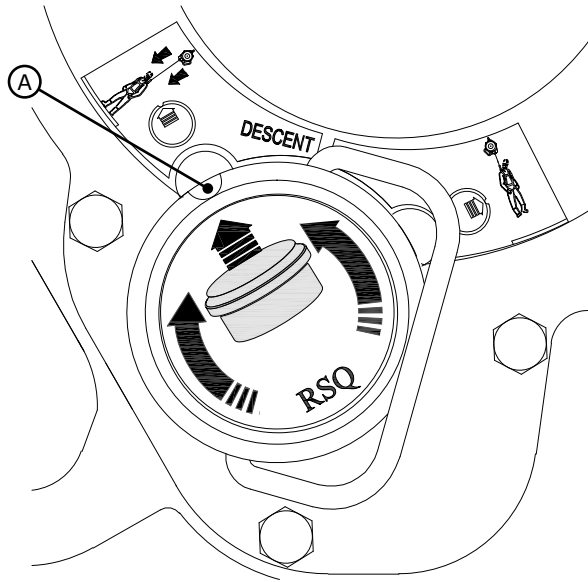


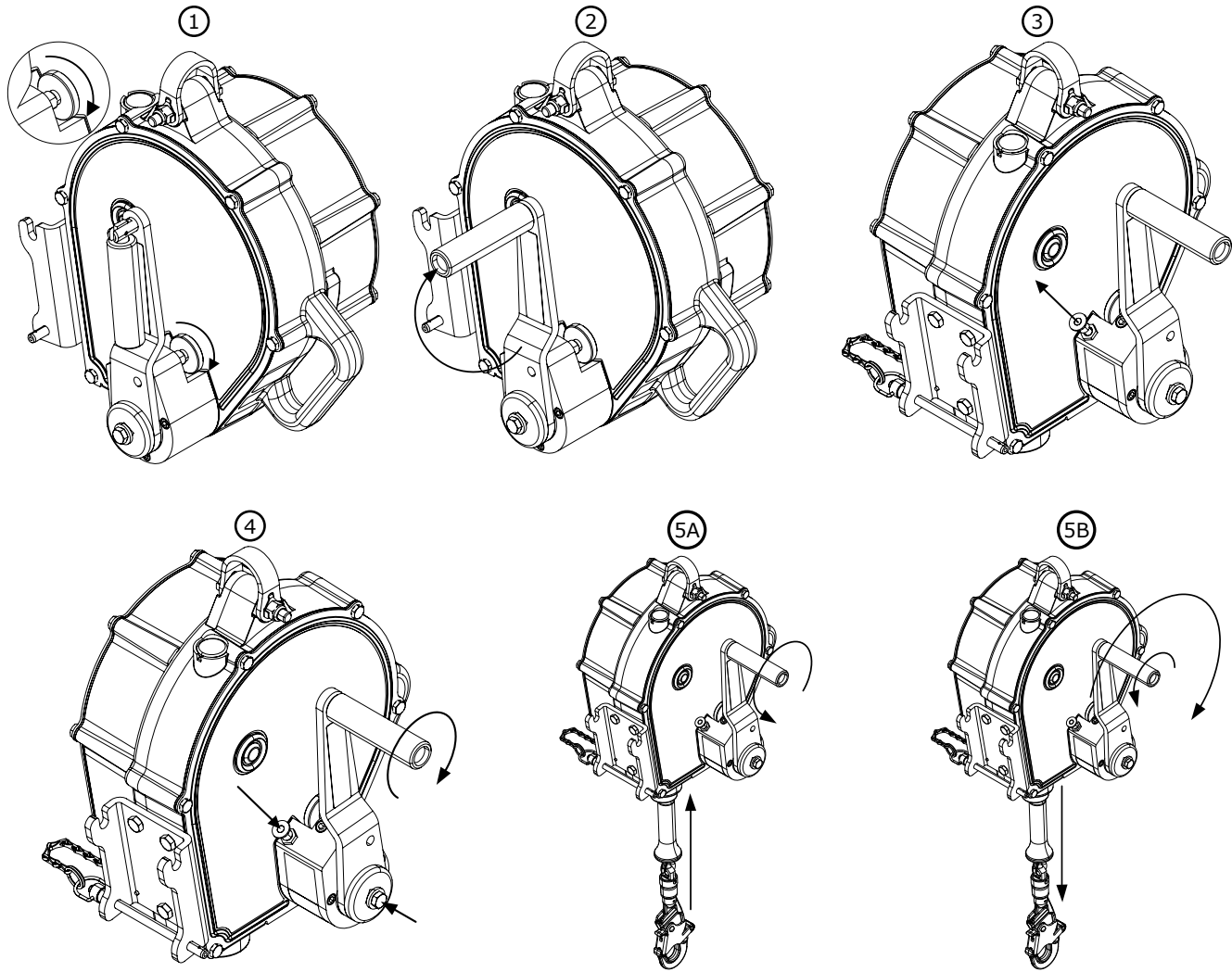
8



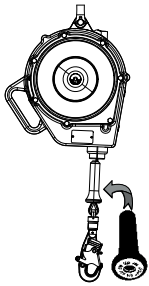
9



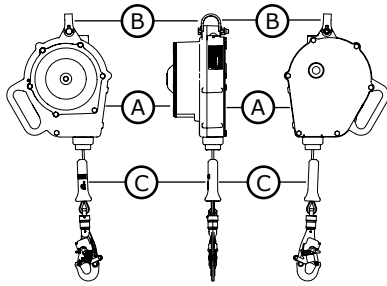




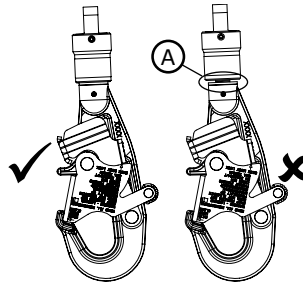
13



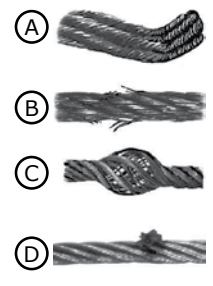
14



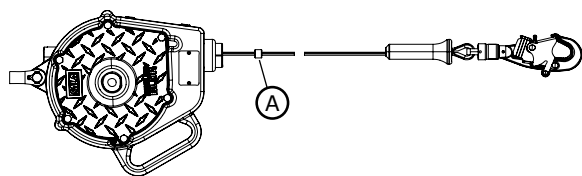
15



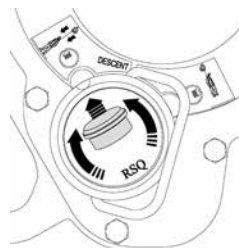
16



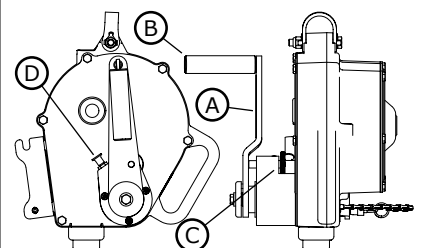
17



18



19





**Please read, understand, and follow all safety information contained in these instructions prior to the use of this Self-Retracting Device (SRD). FAILURE TO DO SO COULD RESULT IN SERIOUS INJURY OR DEATH.**

**These instructions must be provided to the user of this equipment. Retain these instructions for future reference.**

## Intended Use:

This Self-Retracting Device is intended for use as part of a complete personal fall protection system.

Use in any other application including, but not limited to, material handling, recreational or sports related activities, or other activities not described in the User Instructions, is not approved by 3M and could result in serious injury or death.

This device is only to be used by trained users in workplace applications.

## WARNING

This Self-Retracting Device is part of a personal fall protection system. It is expected that all users be fully trained in the safe installation and operation of their personal fall protection system. **Misuse of this device could result in serious injury or death.** For proper selection, operation, installation, maintenance, and service, refer to these User Instructions including all manufacturer recommendations, see your supervisor, or contact 3M Technical Services.

- **To reduce the risks associated with working with an SRD which, if not avoided, could result in serious injury or death:**

- Before each use, inspect the SRD and check for proper locking and retraction.
- If inspection reveals an unsafe or defective condition, remove the device from service and repair or replace according to the User Instructions.
- If the SRD has been subjected to fall arrest or impact force, immediately remove the SRD from service and label the device 'UNUSABLE'.
- Ensure the lifeline is kept free from any and all obstructions including, but not limited to; entanglement with moving machinery or equipment (e.g., the top drive of oil rigs), other workers, yourself, surrounding objects, or impact from overhead objects that could fall onto the lifeline or the worker.
- Never allow slack in the lifeline. Do not tie or knot the lifeline.
- Attach the unused leg(s) of the Harness Mounted SRD to the parking attachment(s) of the harness if equipped.
- Do not use in applications that have an obstructed fall path. Working on slowly shifting material, such as sand or grain, or within confined or cramped spaces, may not allow the worker to reach sufficient speed to cause the SRD to lock. A clear path is required to assure positive locking of the SRD.
- Avoid sudden or quick movements during normal work operation. This may cause the device to lock up.
- Ensure that fall protection systems/subsystems assembled from components made by different manufacturers are compatible and meet the requirements of applicable standards, including the ANSI Z359 or other applicable fall protection codes, standards, or requirements. Always consult a Competent and/or Qualified Person before using these systems.
- (DESCENT DEVICES) Immediately remove the device from service if the device has been subjected to a descent.
- (DESCENT DEVICES) Ensure a clear descent path, and that the landing area is clear of any obstructions or hazards that you may contact.
- (DEVICES WITH MAGNETS) Avoid close proximity to implanted medical devices.
- (DIGITAL SRDs) This device utilizes software and electronics to provide users and on-site safety professionals feedback during and after use of the device. Feedback provided from electronics is not a substitute for situational awareness and safe work practices. Do not rely on electronic device feedback as a substitute for safety procedures, product inspection, or monitoring of those working at height.
- (DIGITAL SRDs) Caution – The lithium battery used in this device may present a risk of fire or chemical burn if mistreated. Do not disassemble, heat above 130°F (54°C) or incinerate. Replace battery with manufacturer recommended battery. Use of another battery may present a risk of fire or explosion.
- (DIGITAL SRDs) Dispose of used battery promptly. Keep away from children. Do not disassemble and do not dispose of in fire.
- (DIGITAL SRDs) Do not use device in environments where intrinsically safe devices are required.
- (DIGITAL SRDs) Never change batteries in a potentially explosive environment.
- (DIGITAL SRDs) Only replace batteries with those specified in the User Instructions.

- **To reduce the risks associated with working at height which, if not avoided, could result in serious injury or death:**

- Ensure your health and physical condition allow you to safely withstand all of the forces associated with working at height. Consult with your doctor if you have any questions regarding your ability to use this equipment.
- Never exceed allowable capacity of your fall protection equipment.
- Never exceed maximum free fall distance of your fall protection equipment.
- Do not use any fall protection equipment that fails pre-use or other scheduled inspections, or if you have concerns about the use or suitability of the equipment for your application. Contact 3M Technical Services with any questions.
- Some subsystem and component combinations may interfere with the operation of this equipment. Only use compatible connections. Consult 3M prior to using this equipment in combination with components or subsystems other than those described in the User Instructions.
- Use extra precautions when working around moving machinery (e.g. top drive of oil rigs) electrical hazards, extreme temperatures, chemical hazards, explosive or toxic gases, sharp edges, or below overhead materials that could fall onto you or your fall protection equipment.
- Use Arc Flash or Hot Works devices when working in high heat environments.
- Avoid surfaces and objects that can damage the user or equipment.
- Ensure there is adequate fall clearance when working at height.
- Never modify or alter your fall protection equipment. Only 3M or parties authorized in writing by 3M may make repairs to the equipment.
- Prior to use of fall protection equipment, ensure a rescue plan is in place which allows for prompt rescue if a fall incident occurs.
- If a fall incident occurs, immediately seek medical attention for the worker who has fallen.
- Do not use a body belt for fall arrest applications. Use only a Full Body Harness.
- Minimize swing falls by working as directly below the anchorage point as possible.
- If training with this device, a secondary fall protection system must be utilized in a manner that does not expose the trainee to an unintended fall hazard.
- Always wear appropriate personal protective equipment when installing, using, or inspecting the device/system.



Before using this equipment, record the product identification information from the ID label in the 'Inspection and Maintenance Log' at the back of this manual.

## DESCRIPTION:

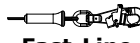
Figure 2 identifies key components of the DBI-SALA Sealed-Blok Self-Retracting Devices (SRDs). Sealed-Blok SRDs are drum wound Wire Rope Lifelines (A) which retract into sealed aluminum Housing (B). They can hang from anchorage by a Carabiner attached through the Swivel Eye (C) on the top of the SRD. A Self-Locking Snap Hook (D) on the end of the Lifeline attaches to the designated Fall Arrest connection on a Full Body Harness. A Bumper (E), protects the Wire Rope and Ferrules securing the Snap Hook from abrasion and corrosion.

Figure 1 defines the Sealed-Blok SRD models covered by this instruction manual. The following SRD Types are available:

- **Self-Retracting Lanyard (Figure 2A):** Self-Retracting Lanyards (SRLs) are suitable for applications where the lifeline remains generally vertical during use and possible Free Fall is limited to 2 ft (0.6 m).
- **Self-Retracting Lanyard with Rescue:** Self-Retracting Lanyards with Rescue include an integral means for assisted rescue by raising or lowering the rescue subject. RSRLs are equipped with a 3-Way Emergency Retrieval Hand Crank (Figure 2B). SRL-RSQs are equipped with an RSQ Rescue/Descent Kob (Figure 2C). Some rescue models are equipped with both rescue components (Figure 2D). Some models include a Tripod Mounting Bracket to mount the SRL on the leg of a Tripod for Confined Space applications.

**Table 2 – Specifications**

Owners of FAST-Line Sealed Blok SRLs with a date of manufacture after January 4, 2015 are no longer required to send their Fast-Line SRLs back to Capital Safety for recertification in the event of a fall or if the impact indicator indicates the hook is in need of replacement. Simply replace the cable and hook via FAST-Line in accordance with the FAST-Line Service Manual (5903076) and complete the Competent Person inspection.

 Fast-Line	Lifeline Description	Hook
3401403	15 m (50 ft) of 4.76 mm (3/16 in) galvanized wire rope, self locking plated steel swiveling carabiner with indicator.	2000126
3401714	15 m (50 ft) of 4.76 mm (3/16 in) stainless wire rope, stainless steel swiveling eye with indicator	2100127
3900105	15 m (50 ft) of 4.76 mm (3/16 in) galvanized wire rope, self locking plated steel swiveling snap hook with indicator.	2000180
3900106	15 m (50 ft) of 4.76 mm (3/16 in) stainless wire rope, self locking plated steel swiveling snap hook with indicator.	2000180
3900107	15 m (50 ft) of 4.76 mm (3/16 in) stainless wire rope, self locking stainless steel swiveling snap hook with indicator.	2000181
3900108	26 m (85 ft) of 4.76 mm (3/16 in) galvanized wire rope, self locking plated steel swiveling snap hook with indicator.	2000180
3900109	26 m (85 ft) of 4.76 mm (3/16 in) stainless wire rope, self locking plated steel swiveling snap hook with indicator.	2000180
3900111	26 m (85 ft) of 4.76 mm (3/16 in) stainless wire rope, self locking stainless steel swiveling snap hook with indicator.	2000181
3900124	26 m (85 ft) of 4.76 mm (3/16 in) stainless wire rope, stainless steel swiveling eye with indicator	2100127
3900112	40 m (130 ft) of 4.76 mm (3/16 in) galvanized wire rope, self locking plated steel swiveling snap hook with indicator.	2000180
3900113	40 m (130 ft) of 4.76 mm (3/16 in) stainless wire rope, self locking plated steel swiveling snap hook with indicator.	2000180
3900114	40 m (130 ft) of 4.76 mm (3/16 in) stainless wire rope, self locking stainless steel swiveling snap hook with indicator.	2000181
3900168	53 m (175 ft) of 4.76 mm (3/16 in) galvanized wire rope, self locking plated steel swiveling snap hook with indicator.	2000180
3900169	53 m (175 ft) of 4.76 mm (3/16 in) stainless wire rope, self locking plated steel swiveling snap hook with indicator.	2000180
3900170	53 m (175 ft) of 4.76 mm (3/16 in) stainless wire rope, self locking stainless steel swiveling snap hook with indicator.	2000181

Hook	Description	Material	Gate Strength	Throat Size
2000126	Swiveling Self-Locking Carabiner with Impact Indicator	Alloy Steel	16 kN (3,600 lbs)	1.9 m (3/4 in)
2000180	Swiveling Self-Locking Snap Hook with Impact Indicator	Alloy Steel	16 kN (3,600 lbs)	1.9 m (3/4 in)
2000181	Swiveling Self-Locking Snap Hook with Impact Indicator	Stainless Steel	16 kN (3,600 lbs)	1.9 m (3/4 in)
2100127	Swiveling Eye with Impact Indicator	Stainless Steel	—	2.5 cm (1 in) Dia.

<b>Casing:</b>	Sealed Aluminum Casing
<b>Wire Rope Lifeline Tensile Strength:</b>	Galvanized Steel - Min. Tensile Strength 18.7 kN (4,200 lbs) Stainless Steel - Min. Tensile Strength 16.0 kN (3,600 lbs)
<b>Maximum Arrest Force:</b>	6 kN (1,350 lbs)
<b>Average Arrest Force:</b>	4 kN (900 lbs)
<b>Maximum Arrest Distance:</b>	1.1 m (42 in)
<b>Average Locking Speed:</b>	1.4 m/s (4.5 ft/s)
<b>RSQ Descent Speed Range:</b>	0.6 - 0.9 m/s (2-3 ft/s)
<b>Minimum Fall Clearance:</b>	1.8 m (6 ft) at 140 kg (310 lbs)

## 1.0 APPLICATIONS

- 1.1 PURPOSE:** 3M Self-Retracting Devices (SRDs) are designed to be a component in a personal fall arrest system (PFAS). Figure 1 illustrates SRDs covered by this instruction manual and their typical applications. They may be used in most situations where a combination of worker mobility and fall protection is required (i.e. inspection work, general construction, maintenance work, oil production, confined space work, etc.).
- 1.2 STANDARDS:** Your SRD conforms to the national or regional standard(s) identified on the front cover of these instructions. If this product is resold outside the original country of destination, the re-seller must provide these instructions in the language of the country in which the product will be used.
- 1.3 TRAINING:** This equipment is intended to be used by persons trained in its correct application and use. It is the responsibility of the user to assure they are familiar with these instructions and are trained in the correct care and use of this equipment. Users must also be aware of the operating characteristics, application limits, and the consequences of improper use.
- 1.4 LIMITATIONS:** Always consider the following limitations and requirements when installing or using this equipment:
- **Capacity:** This SRD has been compliance tested for use by one person with a combined weight (clothing, tools, etc.) from 130 lbs (59 kg) to 310 lbs (140 kg).<sup>1</sup> Make sure all of the components in your system are rated to a capacity appropriate to your application.
  - **Anchorage:** Anchorage structure for the SRD must be capable of supporting loads up to 12 kN (2,697 lbs). Anchor devices must conform to EN795.
  - **Locking Speed:** Situations which do not allow for an unobstructed fall path should be avoided. Working in confined or cramped spaces may not allow the body to reach sufficient speed to cause the SRD to lock if a fall occurs. Working on slowly shifting material, such as sand or grain, may not allow enough speed buildup to cause the SRD to lock. A clear path is required to assure positive locking of the SRD.
  - **Free fall:** When used correctly, SRDs will limit the free fall distance to 61 cm (2 ft). To avoid increased fall distances, do not work above the anchorage level. **Do not lengthen SRDs by connecting a lanyard or similar component without consulting 3M.** Never clamp, knot, or prevent the lifeline from retracting or being taut. Avoid slack line.
  - **Swing Falls:** Swing Falls occur when the anchorage point is not directly above the point where a fall occurs. The force of striking an object in a swing fall may cause serious injury (see Figure 3A). Minimize swing falls by working as directly below the anchorage point as possible (Figure 3B). Working away from the anchorage point (Figure 3C) will increase the impact of a swing fall and increase the required Fall Clearance (FC).
  - **Fall Clearance:** Figure 3B illustrates Fall Clearance Calculation. Fall Clearance (FC) is the sum of Free Fall (FF), Deceleration Distance (DD) and a Safety Factor (SF):  $FC = FF + DD + SF$ . D-Ring Slide and Harness Stretch are included in the Safety Factor. Fall Clearance values have been calculated and are charted in Figure 4. A Safety Factor of 1 m (3.28 ft) was used for all values in Figure 4.
- Figures 3B and 3C illustrate Fall Clearance. For falls from a standing position where the SRD is anchored directly overhead (Figure 3B), SRD Fall Arrest Systems should have the minimum Fall Clearances specified in Table 1. Falls from a kneeling or crouching position will require an additional 1 m (3 ft) of Fall Clearance. In a swing fall situation (Figure 3C), the total vertical fall distance will be greater than if the user had fallen directly below the anchorage point and may require additional Fall Clearance. Figure 4 and the accompanying table define the Maximum Work Radius (C) for various SRD Anchorage Heights (A) and Fall Clearances (B). The Recommended Work Zone is limited to the area located within the Maximum Work Radius.
- **Hazards:** Use of this equipment in areas where surrounding hazards exist may require additional precautions to reduce the possibility of injury to the user or damage to the equipment. Hazards may include, but are not limited to: high heat, caustic chemicals, corrosive environments, high voltage power lines, explosive or toxic gases, moving machinery, or overhead materials that may fall and contact the user or fall arrest system. Avoid working where your lifeline may cross or tangle with that of another worker. Avoid working where an object may fall and strike the lifeline; resulting in loss of balance or damage to the lifeline. Do not allow the lifeline to pass under arms or between legs.
  - **Sharp Edges:** Avoid working where the lifeline will be in contact with or abrade against unprotected sharp edges. Where contact with a sharp edge is unavoidable, cover the edge with a protective material.

---

**1 Capacity:** While CE SRDs have a Maximum Capacity of 140 kg (310 lbs), SRDs with 3-Way Retrieval are rated for a Maximum Lifting Load of 135 kg (298 lbs).

## 2.0 USE

- 2.1 RESCUE PLAN:** When using this equipment, the employer must have a rescue plan and the means at hand to implement it and communicate that plan to users, authorized persons, and rescuers.
- 2.2 INSPECTION FREQUENCY:** SRDs shall be inspected by the authorized person<sup>1</sup> or rescuer<sup>2</sup> before each use (See Table 2). Additionally, inspections shall be conducted by a competent person<sup>3</sup> other than the user at intervals of no more than one year. Extreme working conditions (harsh environment, prolonged use, etc.) may necessitate more frequent competent person inspections. Inspection procedures are described in the "Inspection and Maintenance Log" (Table 3). Results of the Competent Person inspection should be recorded in the "Inspection and Maintenance Log" or recorded with the RFID system (see Section 5).
- 2.3 NORMAL OPERATIONS:** Normal operation will allow the lifeline to extend and retract with no hesitation or slack as the worker moves at normal speeds. If a fall occurs, a speed sensing brake system will activate, stopping the fall and absorbing much of the energy created. Sudden or quick movements should be avoided during normal work operation, as this may cause the SRD to lock up. For falls which occur near the end of the lifeline travel, a reserve lifeline system or Energy Absorber has been incorporated to reduce the fall arrest forces. If the SRD has been subjected to fall arrest forces: remove it from service, mark or tag as "UNUSABLE", inspect and service as instructed in Sections 5 and 6.
- 2.4 BODY SUPPORT:** A Full Body Harness must be used with the Self-Retracting Device. The harness connection point must be above the user's center of gravity. A body belt is not authorized for use with the Self-Retracting Device. If a fall occurs when using a body belt it may cause unintentional release or physical trauma from improper body support.
- 2.5 COMPATIBILITY OF COMPONENTS:** Unless otherwise noted, 3M equipment is designed for use with 3M approved components and subsystems only. Substitutions or replacements made with non approved components or subsystems may jeopardize compatibility of equipment and may affect safety and reliability of the complete system. Follow manufacturer's instructions for components and subsystems in your personal fall arrest system.
- 2.6 COMPATIBILITY OF CONNECTORS:** Connectors are considered to be compatible with connecting elements when they have been designed to work together in such a way that their sizes and shapes do not cause their gate mechanisms to inadvertently open regardless of how they become oriented. Contact 3M if you have any questions about compatibility.

Connectors used to suspend the SRD must comply with EN362. Connectors must be compatible with the anchorage or other system components. Do not use equipment that is not compatible. Non-compatible connectors may unintentionally disengage (see Figure 4). Connectors must be compatible in size, shape, and strength. Self-locking snap hooks and carabiners are required. If the connecting element to which a snap hook or carabiner attaches is undersized or irregular in shape, a situation could occur where the connecting element applies a force to the gate of the snap hook or carabiner (A). This force may cause the gate to open (B), allowing the snap hook or carabiner to disengage from the connecting point (C).

- 2.7 MAKING CONNECTIONS:** Snap hooks and carabiners used with this equipment must be self-locking. Ensure all connections are compatible in size, shape and strength. Do not use equipment that is not compatible. Ensure all connectors are fully closed and locked. 3M connectors (snap hooks and carabiners) are designed to be used only as specified in each product's user's instructions. See Figure 5 for examples of inappropriate connections. Do not connect snap hooks and carabiners:
- A. To a D-ring to which another connector is attached.
  - B. In a manner that would result in a load on the gate. Large throat snap hooks should not be connected to standard size D-rings or similar objects which will result in a load on the gate if the hook or D-ring twists or rotates, unless the snap hook is equipped with a 3,600 lb (16 kN) gate. Check the marking on your snap hook to verify that it is appropriate for your application.
  - C. In a false engagement, where features that protrude from the snap hook or carabiner catch on the anchor, and without visual confirmation seems to be fully engaged to the anchor point.
  - D. To each other.
  - E. Directly to webbing or rope lanyard or tie-back (unless the manufacturer's instructions for both the lanyard and connector specifically allows such a connection).
  - F. To any object which is shaped or dimensioned such that the snap hook or carabiner will not close and lock, or that roll-out could occur.
  - G. In a manner that does not allow the connector to align properly while under load.

**Table 2 – Inspection Schedule**

Type of Use	Application Examples	Conditions of Use	Inspection Frequency
			Competent Person
Infrequent to Light	Rescue and Confined Space, Factory Maintenance	Good Storage Conditions, Indoor or Infrequent Outdoor Use, Room Temperature, Clean Environments	Annually
Moderate to Heavy	Transportation, Residential Construction, Utilities, Warehouse	Fair Storage Conditions, Indoor and Extended Outdoor Use, All Temperatures, Clean or Dusty Environments	Semi-Annually to Annually
Severe to Continuous	Commercial Construction, Oil and Gas, Mining	Harsh Storage Conditions, Prolonged or Continuous Outdoor Use, All Temperatures, Dirty Environment	Quarterly to Semi-Annually

**1 Authorized Person:** A person assigned by the employer to perform duties at a location where the person will be exposed to a fall hazard.

**2 Rescuer:** Person or persons other than the rescue subject acting to perform an assisted rescue by operation of a rescue system.

**3 Competent Person:** An individual designated by the employer to be responsible for the immediate supervision, implementation, and monitoring of the employer's managed fall protection program who, through training and knowledge, is capable of identifying, evaluating, and addressing existing and potential fall hazards, and who has the employer's authority to take prompt corrective action with regard to such hazards.

## 3.0 Installation

- 3.1 PLANNING:** Plan your fall protection system before starting your work. Account for all factors that may affect your safety before, during, and after a fall. Consider all requirements and limitations defined in this manual.
- 3.2 ANCHORAGE:** Figure 7 illustrates typical SRL anchorage connections. The anchorage (A) should be directly overhead to minimize Free Fall and Swing Fall hazards (see Section 2). Select a rigid anchorage point capable of sustaining the static loads defined in Section 2.2. The Swivel Eye on the SRL is equipped with a Carabiner (B). Attach the Carabiner directly to the anchorage structure (rebar, angle iron, etc.), a Tie-Off Adaptor (C), or Anchorage Connection Point (D).
- 3.3 HARNESS CONNECTION:** A Full Body Harness is required for Fall Arrest applications. Connect the Snap Hook (A) on the SRL Lifeline to the Back Dorsal D-Ring (B) on the Full Body Harness. (see Figure 8). For situations such as ladder climbing, it may be useful to connect to the front Sternal D-Ring. Consult the harness manufacturer's instructions for details regarding use of the harness connection points.
- 3.4 TRIPOD MOUNTING:** Figure 9 illustrates installation of the Sealed-Blok Self-Retracting Device with Retrieval Hand-Crank on a DBI-SALA Tripod. The SRD-R is mounted on a leg of the Tripod and the Lifeline is routed through a Pulley System on the Head of the Tripod:
- 1. Secure the Quick Mount Bracket on the leg of the Tripod:** Assemble the Quick Mount Bracket around the Upper Tube of the Tripod Leg. Position the Quick Mount Bracket at least 12 in. (30 cm) above the Locking Pin on the Tripod Leg and then tighten the mounting bolts to 15 ft-lbs (20 Nm). Do not overtighten the bolts.  

*Never mount the Quick Mount Bracket on the Lower (Telescoping) Tube of the Tripod Leg.*
  - 2. Secure the SRL Mounting Bracket on the Quick Mount Bracket:** Position the notches in the SRL Mounting Bracket over the Rod Ends protruding from the Quick Mount Bracket and then pivot the SRL toward the Tripod Leg until the holes in the SRL Mounting Bracket align with the holes in the Quick Mount Bracket. Insert the Mounting Pin through the holes in the SRL Mounting Bracket and Quick Mount Bracket.
  - 3. Route the SRL Lifeline over the Tripod Head Mount Pulleys:** Remove the two Retainer Pins from the Head Mount. Position the SRL Lifeline cable in the grooves in the two Head Mount Pulleys. Reinsert the Retainer Pins through the Head Mount.

## 4.0 OPERATION

*First time or infrequent users should review the "Safety Information" at the beginning of this manual prior to use of the Self-Retracting Device (SRD).*

- 4.1 BEFORE EACH USE:** Before each use of this fall protection equipment carefully inspect it to assure it is in good working condition. Check for worn or damaged parts. Ensure all bolts are present and secure. Check that the lifeline is retracting properly by pulling out the line and allowing it to slowly retract. If there is any hesitation in retraction the unit should be marked as "UNUSABLE" and returned to an authorized service center for service. Inspect the lifeline for cuts, frays, burns, crushing and corrosion. Check locking action by pulling sharply on the line. See Section 5 for inspection details. Do not use if inspection reveals an unsafe condition.
- 4.2 AFTER A FALL:** Any equipment which has been subjected to the forces of arresting a fall or exhibits damage consistent with the effect of fall arrest forces as described in Section 5, must be removed from service immediately, marked as "UNUSABLE", and inspected and serviced as instructed in Sections 5 and 6.
- 4.3 BODY SUPPORT:** A full body harness must be worn when using Self-Retracting Devices. For general fall protection use, connect to the back Dorsal D-Ring. For situations such as ladder climbing, it may be useful to connect to the front Sternal D-Ring. Consult the harness manufacturer's instructions for details regarding use of the harness connection points.
- 4.4 MAKING CONNECTIONS:** When using a hook to make a connection, ensure roll-out cannot occur (see Figure 5). Do not use hooks or connectors that will not completely close over the attachment object. Do not use non-locking snap hooks. The mounting surface should meet the anchorage strength requirements stated in section 2.2. Follow the manufacturer's instructions supplied with each system component.
- 4.5 OPERATION:** Inspect the SRD as described in section 5.0. Connect the SRD to a suitable anchorage or anchorage connector as previously described. Connect the Self-Locking Snap Hook on the end of the lifeline to the Dorsal D-Ring on the Full Body Harness (see Figure 8). Ensure connections are compatible in size, shape, and strength. Ensure hook is fully closed and locked. Once attached, the worker is free to move about within the recommended working area at normal speeds. When working with an SRD, always allow the lifeline to recoil back into the device under control. A tag line may be required to extend or retract the lifeline during connection and disconnection operations. A tag line can be used to prevent uncontrolled retraction of the lifeline into the SRD. Depending on the work site environment and conditions, it may be necessary to restrain the free end of the tag line to prevent interference and entanglement with equipment or machinery.
- 4.6 RSQ™ FALL ARREST/DESCENT MODE SELECTION:** DBI-SALA RSQ™ Dual-Mode SRLs are equipped with an RSQ Knob to select between the Fall Arrest or Descent operating modes of the SRL (see Figure 10). If the RSQ Selection Knob is set to 'Fall Arrest', the SRL will arrest the fall. If the RSQ Selection Knob is set to 'Descent', the SRL will automatically descend the user to a lower level when a fall occurs. To select Fall Arrest Mode or Descent Mode:
1. Pull the RSQ™ Engagement Knob outward.
  2. Turn the RSQ™ Engagement Knob until the arrow on the face of the knob points to Descent Mode (A) or Fall Arrest Mode (B) and the RSQ™ Engagement Knob clicks into place with the Selection Notch (as illustrated in Figure 10).

**RSQ Descent Mode:** In Descent Mode, the user automatically descends to a lower level when a fall occurs.

**RSQ Fall Arrest Mode:** In Fall Arrest Mode, the SRD arrests the fall and the user remains suspended. Descent is activated and controlled with the RSQ™ Engagement Knob Pull Ring or an optional Extension Pole Release Tool (see Figure 11):

- **Engagement Knob Pull Ring:** Figure 11 illustrates operation of the Engagement Knob Pull Ring. To disengage Fall Arrest Mode and initiate descent, grasp the Pull Ring and pull the Engagement Knob straight out (A). To stop descent; release the Pull Ring to re-engage Fall Arrest Mode (B). To fully engage Descent Mode so descent continues without pulling the Pull Ring, turn the Engagement Knob counter-clockwise (C) until the arrow on face of the knob points to the Descent Selection Notch (see Figure 10).

80 lbs - 100 lbs (0.36 kN - 0.45 kN) of pulling force is required to release the RSQ™ Engagement Knob from Fall Arrest Mode.

- **Extension Pole Release Tool:** Insert the Extension Pole Release Tool from any direction so the ends of the Release Forks surround the base of the RSQ™ Engagement Knob below the Knurled Ridge and Pull Ring (see Figure 11D). To disengage Fall Arrest Mode and initiate descent, push forward on the Extension Pole until the RSQ™ Engagement Knob is fully lodged in the Release Fork. Descent will continue as long as the Release Fork is fully lodged between the RSQ™ Engagement Knob and the Housing. Removal of Release Fork may cause unit to re-engage Fall Arrest Mode.

The Release Fork on the Extension Pole Release tool is tapered to push the RSQ™ Engagement Knob straight out as the fork is pushed forward on the knob. It is not necessary to pry the knob with the Extension Pole. Prying could break off the knob.

Sealed-Blok RSQ SRLs are designed for emergency fall arrest and descent and may only be used for a single, vertical descent. If the SRL is used to descend, remove it from service immediately and send it to an authorized service center for repair.

**4.7 RETRIEVAL OPERATION:** Figure 12 illustrates operation of the Integral Rescue Hand Crank on the Sealed-Blok Retrieval SRL-R. Do not attempt to operate Retrieval with the lifeline fully retracted. To activate Retrieval mode and use the Rescue Hand Crank:

1. Loosen the Locking Thumb Screw to release the Crank Arm.
2. Rotate the Retrieval Handle up from the SRL Body 90°.
3. Pull and hold the Shift Knob in the unlocked position.
4. Push the Crank Arm in and release the Shift Knob to engage. If needed, rotate the Crank Arm clockwise to help engage the gear.
5. Raise and lower the Lifeline as illustrated in Figure 12:
  - A. To Raise: Rotate the Crank Arm clockwise.
  - B. To Lower: Rotate the Crank Arm counterclockwise. After fall arrest; crank the Crank Arm clockwise slightly first to release the Fall Arrest Brake, then crank the Crank Arm counterclockwise.

The Integral Rescue Hand Crank on 3-Way Emergency Retrieval SRL-R models is for rescue purposes only and should not be used for work positioning or material lifting/lowering.

DBI-SALA SRL-Rs do not incorporate an Overload Clutch to limit the force exerted on the drive components and attached person. Avoid line slack while in Retrieval mode. Also, monitor the individual during retrieval to ensure they are not subjected to excessive force from continued lifting after entanglement on an obstruction.

A minimum load of 75 lbs (33.9 kg) is required to lower or pay out the Lifeline. A force of 30 lbs (0.13 kN) is required to operate the Retrieval system when loaded to capacity.

Stop cranking when the Lifeline is fully extended or retracted. Continued cranking can damage components.

**4.8 RETRIEVAL DISENGAGEMENT:** To disengage Retrieval mode:

When Retrieval mode is disengaged, any extended Lifeline will retract into the SRL. To avoid possible injury, retract the Lifeline prior to disengagement or hold onto the Lifeline.

1. Remove any load from the Lifeline.
2. Pull and hold the Shift Knob in the unlocked position.
3. Pull the Crank Arm out to disengage and then release the Shift Knob.
4. Pull out and rotate the Retrieval Handle down toward the SRL Body to stowed position.

## 5.0 Inspection

- 5.1 RFID TAG:** The Self-Retracting Device includes a Radio Frequency Identification (RFID) tag (see Figure 13). The RFID tag can be used in conjunction with the handheld reading device and web based portal to simplify inspection and inventory control and provide records for your fall protection equipment. For details, contact a 3M Customer Service representative (see back cover). Follow the instructions provided with your handheld reader, or on the web portal, to transfer your data to your web log.
- 5.2 INSPECTION FREQUENCY:** The Sealed-Blok Self-Retracting Device must be inspected at the intervals defined in *Section 2 (Inspection Frequency)*. Inspection procedures are described in the "*Inspection & Maintenance Log*" (Table 3).

*Extreme working conditions (harsh environments, prolonged use, etc.) may require increasing the frequency of inspections.*

- 5.3 UNSAFE OR DEFECTIVE CONDITIONS:** If inspection reveals an unsafe defective condition, remove the Self-Retracting Device from service immediately, mark as "UNUSABLE", and perform a Competent Person inspection to determine service options.

*Only 3M or parties authorized in writing may make repairs other than FAST-Line Lifeline replacement to this equipment.*

- 5.4 PRODUCT LIFE:** The functional life of DBI-SALA Self-Retracting Devices is determined by work conditions and maintenance. As long as the product passes inspection criteria, it may remain in service.

## 6.0 MAINTENANCE, SERVICE, and STORAGE

- 6.1 CLEANING:** Cleaning procedures for the Self-Retracting Device are as follows:


- Periodically clean the exterior of the SRD using water and a mild soap solution. Position the SRD so excess water can drain out. Clean labels as required.
- Clean lifeline with water and mild soap solution. Rinse and thoroughly air dry. Do not force dry with heat. An excessive buildup of dirt, paint, etc. may prevent the lifeline from fully retracting back into the housing causing a potential free fall hazard. Replace lifeline if excessive buildup is present.

- 6.2 SERVICE:** FAST-Line Lifelines can be replaced in the field by a Competent Person<sup>1</sup>. See Figure 1 for the required FAST-Line Lifeline Replacement Kit. Install the lifeline per the instructions in the Service Manual (5903076) include with the FAST-Line kit. Always perform a complete Competent Person inspection after replacing the FAST-Line Lifeline. Additional service, determined from the Competent Person inspection, must be completed by an authorized service center. Do not attempt to disassemble the SRD or lubricate any parts.

- 6.3 STORAGE AND TRANSPORT:** Store and transport Self-Retracting Device in a cool, dry, clean environment out of direct sunlight. Avoid areas where chemical vapors may exist. Thoroughly inspect the SRD after any period of extended storage.

## 7.0 Labels

Figure 20 illustrates labels on the the Sealed-Blok SRDs and their locations. All label must be present on the SRD. Labels must be replaced if they are not fully legible. Information provided on each label is as follows:

	Read all instructions.
Ⓐ	Length of Lifeline (Maximum Lifting Distance)
Ⓑ Ⓒ	1) Correct Fall Arrest connectin for SRD. 2) Usage Temperature Range: -40° C to +60° C. 3.1) Always anchor SRD overhead. 3.2) Never anchor SRD below the back dorsal harness connection point. 4) Maximum Capacity: 140 kg Ⓑ/135 kgⒸ. 5) Inspect Snap Hook and Impact Indicator. 6) Inspect locking action of SRD. Should hear an audible noise when SRD locks. 7) Do not load SRD over an edge. 8) Inspect Snap Hook Impact Indicator. Do not use SRD if impact is indicated. 9) Control Lifeline while it recoils into SRD. 10) Swing Fall Hazard. Lifeline angle should be near vertical. 11.1) Do not repair. 11.2) Service and repair should only be performed by 3M authorized personnel. 12) Store in a cool, dry, clean environment; out of direct sunlight. 13) Do not use if Reserve Lifeline Band is exposed. 14) Do not remove labels. Labels must be present and fully legible. 15) Maximum Descent Height 16) Connection point for secondary Dropped Object Anchorage 17) Year and Month of Manufacture, Lot Number, Model Number 18) Length of Lifeline (Maximum Lifting Distance). 19) Read the FAST-Line Service Manual (5903076). 20) Retrieval Operation: Ⓐ Loosen Locking Thumbscrew. Ⓑ Rotate the Retrieval Handle up. Ⓒ Pull and hold the Shift Knob. Ⓓ Push the Crank in and release the Shift Knob. If needed, rotate the Crank Arm clockwise slightly to engage the gear. Rotate Crank Arm counterclockwise to lift. Rotate Crank Arm clockwise to lower. Ⓔ Release Shift Knob to lock Crank Arm.
Ⓓ	This product is Radio Frequency Identification (RFID) enabled and contains an electronic tag that can be read by compatible readers - providing inspection logs, inventory management, and other safety information.
Ⓔ Ⓕ	A) Serial Number B) Model Number C) Date Manufactured D) Lot Number E) Service Dates
Ⓖ	To Lower: Crank the Crank Arm counterclockwise slightly to release the Fall Arrest brake, then crank the Crank Arm clockwise. To Raise: Crank the Crank Arm counterclockwise. Maximum Lifting Load: 135 kg
Ⓕ Ⓖ	Pull RSQ Engagement Knob out and turn until arrow points to selected mode: Ⓓ Descent, Ⓔ Fall Arrest

**1 Competent Person:** An individual designated by the employer to be responsible for the immediate supervision, implementation, and monitoring of the employer's managed fall protection program who, through training and knowledge, is capable of identifying, evaluating, and addressing existing and potential fall hazards, and who has the employer's authority to take prompt corrective action with regard to such hazards.

**Table 3 – Inspection & Maintenance Log**

<b>Serial Number(s):</b>		<b>Date Purchased:</b>	
<b>Model Number:</b>		<b>Date of First Use:</b>	
<b>Inspected By:</b>		<b>Inspection Date:</b>	
<b>Component:</b>	<b>Inspection:</b>	<b>Before Each Use</b>	<b>Competent Person</b>
SRD (Figure 14)	Inspect for loose bolts and bent or damaged parts.	<input type="checkbox"/>	<input type="checkbox"/>
	Inspect Housing (A) for distortion, cracks, or other damage.	<input type="checkbox"/>	<input type="checkbox"/>
	Inspect the Swivel Eye (B) for distortion, cracks, or other damage. The Swivel Eye should be attached securely to the SRL, but should pivot freely.	<input type="checkbox"/>	<input type="checkbox"/>
	The Lifeline (C) should pull out and retract fully without hesitation or creating a slack line condition.	<input type="checkbox"/>	<input type="checkbox"/>
	Ensure device locks up when lifeline is jerked sharply. Lockup should be positive with no slipping. NOTE: SRLs with RSQ should be in Fall Arrest Mode for this test (see Figure 8)	<input type="checkbox"/>	<input type="checkbox"/>
	The labels must be present and fully legible (see "Labels").	<input type="checkbox"/>	<input type="checkbox"/>
	Look for signs of corrosion on the entire unit.	<input type="checkbox"/>	<input type="checkbox"/>
Swivel Snap Hook & Impact Indicator (Figure 15)	Inspect the Swivel Snap Hook for signs of damage, corrosion, and working condition. Swivel should rotate freely. Inspect the Impact Indicator. If the Red Band is displayed (Indicated Mode), impact loading has occurred and the SRL must be removed from service and inspected. Do not attempt to reset the Impact Indicator. Return the SRL to an authorized service center for resetting. NOTE: The Swivel will not turn freely when the Impact Indicator is in Indicated Mode.	<input type="checkbox"/>	<input type="checkbox"/>
	<input checked="" type="checkbox"/> <b>FAST-Line Means LIFETIME:</b> If the Red Band on the Swivel Snap Hook Impact Indicator is displaying (Indicated Mode); contact 3M regarding service by an Authorized Service Center, or replace the FAST-Line Lifeline per the instructions in the "FAST-Line Lifeline Replacement Kit Service Manual (5903076)" and complete the Competent Person inspection.		<input type="checkbox"/>
FAST-Line Wire Rope Lifeline (Figure 16)	Inspect wire rope for cuts, kinks, broken wires, bird-caging, welding splatter, corrosion, chemical contact areas, or severely abraded areas. Slide the cable bumper up and inspect ferrules for cracks or damage and inspect the wire rope for corrosion and broken wires. Replace the wire rope assembly if there are six or more randomly distributed broken wires in one lay, or three or more broken wires in one strand in one lay. A "lay" of wire rope is the length of wire rope it takes for a strand (the larger groups of wires) to complete one revolution or twist along the rope. Replace the wire rope assembly if there are any broken wires within 1 inch (25 mm) of the ferrules.	<input type="checkbox"/>	<input type="checkbox"/>
	<input checked="" type="checkbox"/> <b>FAST-Line Means LIFETIME:</b> If inspection in the previous step indicates lifeline replacement; contact 3M regarding service by an Authorized Service Center, or replace the FAST-Line Lifeline per the instructions in the "FAST-Line Lifeline Replacement Kit Service Manual (5903076)" and complete the Competent Person inspection.		<input type="checkbox"/>
Reserve Lifeline (Figure 17)	Inspect the Reserve Lifeline payout. If a fall has been arrested with most of the lifeline out, the Reserve Lifeline may have been deployed. Pull the lifeline out of the SRD until it stops. If the Button Stop (A) pulls out and is visible, the Reserve Lifeline is spent and the lifeline should be replaced.	<input type="checkbox"/>	<input type="checkbox"/>
	<input checked="" type="checkbox"/> <b>FAST-Line Means LIFETIME:</b> If inspection in the previous step indicates lifeline replacement; contact 3M regarding service by an Authorized Service Center, or replace the FAST-Line Lifeline per the instructions in the "FAST-Line Lifeline Replacement Kit Service Manual (5903076)" and complete the Competent Person inspection.		<input type="checkbox"/>
RSQ Components (Figure 18)	A hand pull test should be performed on RSQ™ Components prior to each use: <ol style="list-style-type: none"> <li>Set RSQ Engagement Knob to Descent position (Diagram 4).</li> <li>Grasp the lifeline and pull firmly to engage descent mechanism.</li> <li>Continue to smoothly pull out approximately 3 feet (1 m) of cable. Steady resistance should be felt when pulling out cable.</li> </ol>	<input type="checkbox"/>	<input type="checkbox"/>
Retrieval Integral Rescue Hand Crank (Figure 19)	Inspect the Crank Arm (A) for distortion or other damage. Ensure that the Retrieval Handle (B) can be folded out and secured in the cranking position.	<input type="checkbox"/>	<input type="checkbox"/>
	Ensure the Retrieval Shift Knob (C) can be pulled out to the unlocked position and then released, locking the Crank Arm in both the engaged and disengaged positions.	<input type="checkbox"/>	<input type="checkbox"/>
	Test the retrieval feature for proper operation by raising and lowering a test weight of at least 75 lbs (34 kg). When the Retrieval Handle is released, the weight should not move and the Retrieval Handle should remain in position (no movement). A 'clicking' sound should be audible when raising the load.	<input type="checkbox"/>	<input type="checkbox"/>
<b>Corrective Action/Maintenance:</b>		Approved By:	
		Date:	
<b>Corrective Action/Maintenance:</b>		Approved By:	
		Date:	
<b>Corrective Action/Maintenance:</b>		Approved By:	
		Date:	
<b>Corrective Action/Maintenance:</b>		Approved By:	
		Date:	
<b>Corrective Action/Maintenance:</b>		Approved By:	
		Date:	
<b>Corrective Action/Maintenance:</b>		Approved By:	
		Date:	

## SIKKERHEDSOPLYSNINGER

Læs alle sikkerhedsoplysninger i denne brugsanvisning og sørg for, at du forstår og følger disse før brug af denne selvtilbagetrækkende anordning. **UNDLADELSE HERAF KAN MEDFØRE ALVORLIG PERSONSKADE ELLER DØDSFALD.**

Disse anvisninger skal udleveres til brugeren af udstyret. Opbevar denne vejledning til senere brug.

### Anvendelsesformål:

Denne selvtilbagetrækkende anordning er beregnet til brug som en del af et komplet personligt faldsikringssystem.

Enhver anden brug end denne, herunder, men ikke begrænset til, materialehåndtering, rekreative eller sportslige aktiviteter eller andre aktiviteter, der ikke er beskrevet i brugervejledningen, er ikke godkendt af 3M og kan medføre alvorlig skade eller død.

Denne anordning må kun benyttes af uddannede brugere til anvendelse på arbejdspladsen.

## ! ADVARSEL

Denne selvtilbagetrækkende anordning er en del af et personligt faldsikringssystem. Det forventes, at alle brugere er fuldt uddannet i sikker installation og drift af deres personlige faldsikringssystem. **Misbrug af denne anordning kan medføre alvorlig skade eller død.** Jævnfør denne brugervejledning samt alle producentens anbefalinger, tal med din vejleder eller kontakt 3M's tekniske service vedrørende korrekt valg, drift, installation, vedligeholdelse og servicering.

- **For at reducere risiciene ved at arbejde med en selvtilbagetrækkende anordning, som, hvis de ikke undgås, kan medføre alvorlig skade eller død, skal du:**
  - Inspicere den selvtilbagetrækkende anordning før hver brug og tjekke, at den er låst og trukket tilbage på korrekt vis.
  - Hvis eftersynet afslører selvtilbagetrækkende anordnings ikke-benyttede ben til selens parkeringsmontering(er), hvis selen er udstyret hermed.
  - Hvis den selvtilbagetrækkende anordning har været udsat for faldsikring eller slagkraft, skal den selvtilbagetrækkende anordning straks tages ud af drift og markeres med 'UDE AF DRIFT'.
  - Sørg for, at livlinen holdes fri for enhver og alle forhindringer, herunder, men ikke begrænset til: sammenfiltring med maskiner eller udstyr, som bevæger sig (f.eks. det øverste drev på olieplatforme), andre arbejdstagere, dig selv, omkringliggende genstande eller nedslag af genstande ovenfra, som kan falde ned på livlinen eller arbejdstageren.
  - Lad aldrig livlinen hænge løst. Undgå at binde livlinen sammen eller binde knuder på den.
  - Fastgør den selemonterede selvtilbagetrækkende anordnings ikke-benyttede ben til selens parkeringsmontering(er), hvis selen er udstyret hermed.
  - Må ikke anvendes ved hindret faldlinje. Hvis der arbejdes med langsomt skiftende materiale, såsom sand eller korn, eller inden for et snævert eller trangt område, vil arbejdstageren eventuelt ikke opnå tilstrækkelig hastighed til automatisk låsning af den selvtilbagetrækkende anordning.
  - Undgå pludselige eller hurtige bevægelser under normal arbejdsangang. Dette kan forårsage, at enheden låses fast.
  - Sørg for, at faldsikringssystemer/-undersystemer, der er samlet fra komponenter, der er fremstillet af forskellige fabrikanter, er kompatible og opfylder kravene i relevante standarder, inklusive ANSI Z359 eller andre gældende regulativer, standarder for eller krav til faldbekyttelse. Opsøg altid en kompetent og/eller kvalificeret person, før du anvender disse systemer.
- **For at reducere risici i forbindelse med højdearbejde, som, hvis de ikke undgås, kan medføre alvorlig skade eller død:**
  - Sørg for, at dit helbred og din kondition gør dig i stand til sikkert at kunne modstå alle de kræfter, der er forbundet med højdearbejde. Rådfør dig med din læge, hvis du har spørgsmål vedrørende din evne til at bruge dette udstyr.
  - Overstig aldrig den tilladte kapacitet for dit faldsikringsudstyr.
  - Overstig aldrig den maksimale faldafstand fra dit faldsikringsudstyr.
  - Brug ikke faldsikringsudstyr, som ikke virker ved forudgående brug eller planlagte inspektioner, eller hvis du er bekymret for udstyrets brug eller egnethed til det tilsigtede formål. Kontakt 3M's tekniske service med eventuelle spørgsmål.
  - Kombinationer med visse delsystemer og komponenter kan forstyrre driften af dette udstyr. Brug kun kompatible forbindelser. Rådfør dig med 3M, før du bruger dette udstyr sammen med andre komponenter eller delsystemer end dem, der er beskrevet i brugervejledningen.
  - Vær særligt forsigtig, når du arbejder i nærheden af maskiner, som bevæger sig (f.eks. øverste drev på olieplatforme), elektrisk kortslutning, ekstreme temperaturer, kemiske farer, eksplosive eller giftige gasser, skarpe kanter eller under overliggende materialer, som kan falde ned på dig eller dit faldsikringsudstyr.
  - Brug Arc Flash eller Hot Works (dvs. passende beskyttelses)-anordninger, når du arbejder i miljøer med ekstrem varme.
  - Undgå overflader og genstande, som kan beskadige brugeren eller udstyret.
  - Sørg for tilstrækkelig faldafstand ved højdearbejde.
  - Faldsikringsudstyret må aldrig modificeres eller ændres. Kun 3M eller parter, som 3M skriftligt har bemyndiget, må foretage reparationer på udstyret.
  - Før brug af faldsikringsudstyret skal du sørge for at have en redningsplan, som muliggør hurtig redning i tilfælde af fald.
  - Hvis der sker et fald, søges straks lægehjælp for den faldne arbejdstager.
  - Brug ikke et kropsbælte til anvendelser, der involverer faldsikring. Må kun benyttes med komplet kropssele.
  - Svingfald kan minimeres ved så vidt muligt at arbejde lige under forankringspunktet.
  - Hvis der øves med denne anordning, skal der benyttes sekundært faldbeskyttelsesudstyr på en sådan måde, at lærlingen ikke udsættes for utilsigtet faldrisiko.
  - Brug altid passende personlige værnemidler under installation, brug eller inspektion af enheden/systemet.



*Inden udstyret tages i brug, skal produktidentifikationsoplysningerne fra ID-mærketet noteres i inspektions- og vedligeholdelsesloggen på bagsiden af denne manual.*

## BESKRIVELSE:


Figur 2 identificerer vigtige komponenter i DBI-SALA Sealed-Blok selvopruddende anordninger (SRD'er). Sealed-Blok SRD'er er tromleviklede stålkabellivliner (A), som trækker sig tilbage i et forsejlet hus af aluminium (B). De kan hænge fra et forankringspunkt med en karabinhage fastgjort gennem forankringsøjjet (C) øverst på SRD'en. En selvåsende snapkrog (D) på enden af livlinen fastgøres til faldstandsforbindelsen på en helkropssele. En stødfanger (E) beskytter stålkablet og ferrulerne, der sikrer snapkroge mod slitage og korrosion.

Figur 1 definerer de Sealed-Blok SRD-modeller, der dækkes af denne brugsanvisning. Følgende SRD-typer er tilgængelige:

- **Selvopruddende taljereb (figur 2A):** Selvopruddende taljereb (SRL'er) er passende til anvendelser, hvor livlinen generelt forbliver lodret under brug, og muligt frit fald er begrænset til 0,6 m (2 fod).
- **Selvopruddende taljereb med redning:** Selvopruddende taljereb med redning omfatter en integreret funktion for assisteret redning ved at hæve eller sænke redningsemnet. RSRL-R'er er udstyret med et håndsving med tre nødhentningsfunktioner (figur 2B). SRL-RSQ'er er udstyret med en RSQ rednings/nedstigningsgreb (figur 2C). Nogle modeller er udstyret med begge redningskomponenter (figur 2D). Nogle modeller indeholder et trefodsmonteringsbeslag til at montere SRL'en på benet af en trefod for anvendelser i trange rum.

**Tabel 2 – Specifikationer**

*Ejere af en FAST-Line Sealed Blok SRL med en fremstillingsdato efter den 4. januar 2015 skal ikke længere sende deres Fast-Line SRL tilbage til Capital Safety til gencertificering i tilfælde af at enheden har afbødet et fald, eller hvis belastningsindikatoren angiver, at en udskiftning af krogen er påkrævet. Du skal bare udskifte kablet og krogen via FAST-Line i overensstemmelse med FAST-Line betjeningsmanualen (5903076) og så skal der udføres en inspektion af en kvalificeret person.*

 Fast-Line	Beskrivelse af livline	Krog
3401403	15 m (50 fod) af 4,76 mm (3/16 tomme) galvaniseret kabel, selvåsende drejelig karabinhage i galvaniseret stål med indikator.	2000126
3401714	15 m (50 fod) af 4,76 mm (3/16 tomme) rustfrit kabel, selvåsende drejelig øje i rustfrit stål med indikator	2100127
3900105	15 m (50 fod) af 4,76 mm (3/16 tomme) galvaniseret kabel, selvåsende drejelig snapkrog i galvaniseret stål med indikator.	2000180
3900106	15 m (50 fod) af 4,76 mm (3/16 tomme) rustfrit stålkabel, selvåsende drejelig snapkrog i galvaniseret stål med indikator.	2000180
3900107	15 m (50 fod) af 4,76 mm (3/16 tomme) rustfrit stålkabel, selvåsende drejelig snapkrog i rustfrit stål med indikator.	2000181
3900108	26 m (85 fod) af 4,76 mm (3/16 tomme) galvaniseret kabel, selvåsende drejelig snapkrog i rustfrit stål med indikator.	2000180
3900109	26 m (85 fod) af 4,76 mm (3/16 tomme) rustfrit stålkabel, selvåsende drejelig snapkrog i galvaniseret stål med indikator.	2000180
3900111	26 m (85 fod) af 4,76 mm (3/16 tomme) rustfrit stålkabel, selvåsende drejelig snapkrog i rustfrit stål med indikator.	2000181
3900124	26 m (85 fod) af 4,76 mm (3/16 tomme) rustfrit kabel, selvåsende drejeligt øje i rustfrit stål med indikator	2100127
3900112	40 m (130 fod) af 4,76 mm (3/16 tomme) galvaniseret kabel, selvåsende drejelig snapkrog i rustfrit stål med indikator.	2000180
3900113	40 m (130 fod) af 4,76 mm (3/16 tomme) rustfrit stålkabel, selvåsende drejelig snapkrog i galvaniseret stål med indikator.	2000180
3900114	40 m (130 fod) af 4,76 mm (3/16 tomme) rustfrit stålkabel, selvåsende drejelig snapkrog i rustfrit stål med indikator.	2000181
3900168	53 m (175 fod) af 4,76 mm (3/16 tomme) galvaniseret kabel, selvåsende drejelig snapkrog i galvaniseret stål med indikator.	2000180
3900169	53 m (175 fod) af 4,76 mm (3/16 tomme) rustfrit stålkabel, selvåsende drejelig snapkrog i galvaniseret stål med indikator.	2000180
3900170	53 m (175 fod) af 4,76 mm (3/16 tomme) rustfrit stålkabel, selvåsende drejelig snapkrog i rustfrit stål med indikator.	2000181

Krog	Beskrivelse	Materiale	Ledstyrke	Halsstørrelse
2000126	Selvåsende, drejelig karabinhage med belastningsindikator	Stållegering	16 kN (3.600 pund)	1,9 m (3/4 tomme)
2000180	Selvåsende, drejelig snapkrog med belastningsindikator	Stållegering	16 kN (3.600 pund)	1,9 m (3/4 tomme)
2000181	Selvåsende, drejelig snapkrog med belastningsindikator	Rustfrit stål	16 kN (3.600 pund)	1,9 m (3/4 tomme)
2100127	Drejeligt øje med belastningsindikator	Rustfrit stål	—	2,5 cm (1 tomme) i diameter

<b>Hus:</b>	Forsejlet hus af aluminium
<b>Elastisk styrke for livline af stålkabel:</b>	Galvaniseret stål - min. Elastisk styrke 18,7 kN (4.200 pund) Rustfrit stål - min. Elastisk styrke 16,0 kN (3.600 pund)
<b>Maksimal standsekraft:</b>	6 kN (1.350 pund)
<b>Gennemsnitlig standsekraft:</b>	4 kN (900 pund)
<b>Maksimal standseafstand:</b>	1,1 m (42 tommer)
<b>Gennemsnitlig låsningshastighed:</b>	1,4 m/s (4,5 fod/s)
<b>RSQ nedstigningshastighed:</b>	0,6 - 0,9 m/s (2 - 3 fod/s)
<b>Minimal faldafstand:</b>	1,8 m (6 fod) ved 140 kg (310 pund)

## 1.0 ANVENDELSE

- 1.1 FORMÅL:** 3M selvopruddende anordninger (SRD'er) er designet til at være komponenter i et personligt faldstandsningssystem (PFAS). Figur 1 illustrerer SRD'er, der er omfattet af denne brugsanvisning, og deres typiske anvendelsesområder. De kan anvendes i de fleste situationer, hvor der er behov for en kombination af arbejdsmobilitet og faldsikring af arbejderen (for eksempel inspektionsarbejde, alment konstruktionsarbejde, vedligeholdelsesarbejde, olieproduktion, arbejde i indsnævrede rum osv.).
- 1.2 STANDARDER:** Din SRD lever op til de nationale eller regionale standarder, der er angivet på forsiden af denne brugsanvisning. Hvis dette produkt videresælges uden for det oprindelige modtagerland, skal den person, der videresælger, sørge for vejledning i brug, vedligeholdelse, regelmæssig inspektion og reparation på sproget i det land, hvor produktet skal bruges.
- 1.3 UDDANNELSE:** Dette udstyr skal anvendes af personer, der har modtaget uddannelse i korrekt anvendelse og brug heraf. Det er brugerens ansvar at sikre, at de er bekendt med denne vejledning, og at de har modtaget uddannelse i korrekt pleje og brug af dette udstyr. Brugere skal være bekendt med funktionsmæssige egenskaber, anvendelsesbegrænsninger og konsekvenser af forkert brug.
- 1.4 BEGRÆNSNINGER:** Tag altid højde for de følgende begrænsninger og krav, når udstyret installeres eller anvendes:
- **Kapacitet:** Denne SRD er overensstemmelsestestet til brug af en person med en samlet vægt (tøj, værktøj osv.) fra 59 kg til 140 kg (130 pund til 310 pund).<sup>1</sup> Sørg for, at alle komponenter i dit system er klassificeret til en kapacitet, som svarer til din anvendelse.
  - **Forankringer:** Forankringsstrukturen til SRD'en skal kunne bære en belastning på 12 kN (2.697 pund). Forankringsanordningerne skal være i overensstemmelse med EN795.
  - **Låsningshastighed:** Situationer, som ikke muliggør en uhindret faldvej, bør undgås. Arbejde i snævre eller trange områder vil muligvis ikke lade kroppen nå en tilstrækkelig hastighed til, at SRD'en låser i tilfælde af et fald. Arbejde på langsomt rykkende materialer såsom sand eller korn giver muligvis ikke tilstrækkelig hastighed til, at SRD'en låser. Der kræves uhindret faldlinje for at sikre låsning af den selvtilbagetrækkende anordning.
  - **Frit fald:** Når den anvendes korrekt, vil SRD'en begrænse frit fald til 61 cm (2 fod). For at undgå større faldlængder skal du ikke arbejde over forankringsniveauet. **Undlad at forlænge SRD'en ved at tilkoble et taljereb eller en lignende komponent uden først at rådføre dig med 3M.** Livlinen må aldrig klemmes fast, bindes eller på anden måde forhindres i at rulle sig op eller være stram. Undgå en slap line.
  - **Svingfald:** Svingfald sker, når forankringspunktet ikke er direkte over det punkt, hvor faldet finder sted. Den kraft, der udøves, når en genstand rammes i et svingfald, kan forårsage alvorlig personskade (se figur 3A). Svingfald kan minimeres ved så vidt muligt at arbejde lige under forankringspunktet (figur 3B). Når der arbejdes væk fra forankringspunktet (figur 3C), øges virkningen af et svingfald og den krævede faldafstand (FC).
  - **Faldafstand:** Figur 3B viser beregning af faldafstand. Faldafstand (FC) er summen af frit fald (FF), decelerationsafstand (DD) og en sikkerhedsfaktor (SF):  $FC = FF + DD + SF$ . D-ringens glidning og selestrækning er indregnet i sikkerhedsfaktoren. Værdier for faldafstand er beregnet og anført i figur 4. A sikkerhedsfaktor på 1 m (3,28 fod) blev anvendt for alle værdier i figur 4.  
Figur 3B og 3C illustrerer faldafstand. Ved fald fra en stående position, hvor SRD'er er forankret direkte over hovedet (figur 3B), skal SRD-faldstandsningssystemet have en minimumsfaldafstand, som specificeret i tabel 1. Fald fra en knælende eller liggende stilling vil kræve yderligere 1 meters faldafstand. I en svingfaldssituation (figur 3C) vil den samlede lodrette faldafstand være større, end hvis brugeren var faldet direkte under forankringspunktet, og kan kræve yderligere faldhøjde. Figur 4 og den medfølgende tabel definerer den maksimale arbejdsradius (C) for diverse SRD-forankringshøjder (A) og faldlængder (B). Den anbefalede arbejdszone er begrænset til området inden for den maksimale arbejdsradius.
  - **Farer:** Når dette udstyr anvendes i farlige områder, kan det være nødvendigt at træffe yderligere forholdsregler for at reducere risikoen for, at brugeren kommer til skade, eller at udstyret beskadiges. Faremomenter kan omfatte men er ikke begrænset til: stærk varme, ætsende kemikalier, korrosive miljøer, højspændingsledninger, eksplosive eller giftige gasser, kørende maskineri eller overliggende materialer, som kan falde ned og ramme brugeren eller faldstandsningssystemet. Undgå at arbejde på steder, hvor din livline kan krydse eller sammenfiltres med en anden arbejders line. Undgå at arbejde, hvor genstande kan falde ned og ramme livlinen og medføre, at man mister balancen, eller at livlinen beskadiges. Lad ikke livlinen gå ind under armene eller mellem benene.
  - **Skarpe kanter:** Undgå at arbejde, hvor livlinen kan komme i kontakt med eller skrabe mod skarpe kanter. Hvor kontakt med en skarp kant ikke kan undgås, skal kanten dækkes med et beskyttende materiale.

<sup>1</sup> **Kapacitet:** Mens CE SRD'er har a maksimal kapacitet på 140 kg (310 pund), er SRD'er med tre hentningsfunktioner vurderet til en maksimal løftevægt på 135 kg (298 pund).

## 2.0 BRUG

- 2.1 REDNINGSPLAN:** Når dette udstyr anvendes, skal arbejdsgiveren have en redningsplan samt midlerne til at implementere den til rådighed og kommunikere denne plan til brugere, autoriserede personer og reddere.
- 2.2 INSPEKTIONSHYPPIGHED:** SRD'er skal efterses af den autoriserede person<sup>1</sup> eller redder<sup>2</sup> før hver anvendelse (se tabel 2). Desuden skal eftersyn foretages af en anden kvalificeret person<sup>3</sup> end brugeren med intervaller, der ikke overstiger et år. Ekstreme arbejdsforhold (barsk miljø, langvarig brug osv.) kan gøre det nødvendigt at øge hyppigheden af inspektioner af den kvalificerede person. Inspektionsprocedurer er beskrevet i "Inspektions- og vedligeholdelsesloggen" (tabel 3). Resultaterne af den kvalificerede persons inspektion skal registreres i "Inspektions- og vedligeholdelsesloggen" eller med RFID-systemet (se afsnit 5).
- 2.3 NORMAL FUNKTION:** Under normal funktion rulles livlinen ud og op igen uden modstand og uden at blive slap, når arbejderen bevæger sig med normal hastighed. I tilfælde af et fald vil et hastighedsfølsomt bremsesystem blive aktiveret og stoppe faldet samt absorbere en stor del af den skabte energi. Pludselige eller hurtige bevægelser bør undgås under normal arbejds gang, da det kan medføre, at SRD'en låser. For fald, som sker nær slutningen af livlinens vandring, er der indbygget et reservelivlinesystem eller en energiabsorberende komponent for at reducere kraften i faldstandsningen. Hvis SRD'en er blevet udsat for kraftpåvirkninger fra standsning af fald, skal den tages ud af tjeneste, markeres som "UBRUGELIG", inspiceres og serviceres i overensstemmelse med afsnit 5 og 6.
- 2.4 KROPSSELE:** Der skal anvendes en helkropssele med den selvopruhlende anordning. Selens samlingspunkt skal være over brugerens tyngdepunkt. Det er ikke tilladt at anvende et kropsbælte sammen med den selvopruhlende anordning. Hvis der sker et fald, mens der bruges et kropsbælte, kan det medføre utilsigtet udløsning eller fysisk trauma fra forkeret kropsstøtte.
- 2.5 KOMPONENTKOMPATIBILITET:** Medmindre andet er anført, må 3M-udstyr kun bruges sammen med 3M-godkendte komponenter og delsystemer. Udskiftning eller reparation med ikke-godkendte komponenter eller delsystemer kan bringe udstyrets kompatibilitet i fare og kan påvirke det komplette systems sikkerhed og pålidelighed. Følg producentens anvisninger for komponenter og delsystemer i dit personlige faldstandsningssystem.
- 2.6 KONNEKTORKOMPATIBILITET:** Konnektorer betragtes som kompatible med forbindelsesanordninger, når de er konstrueret til at fungere sammen på en sådan måde, at størrelserne og formerne ikke får deres ledmekanismer til utilsigtet at åbne sig, uanset hvordan de bliver vendt. Kontakt 3M, hvis du har spørgsmål vedrørende kompatibilitet.

Konnektorer, som anvendes til ophæng af SRD'en, skal være i overensstemmelse med EN362. Konnektorer skal være kompatible med forankringen og andre systemkomponenter. Anvend ikke udstyr, der ikke er kompatibelt. Ikke-kompatible konnektorer kan løsrive sig ved et uheld (se Figur 4). Konnektorer skal være kompatible med hensyn til størrelse, form og styrke. Der kræves selvlåsende snapkroge og karabinhager. Hvis tilslutningselementet, som en snapkrog eller karabinhage er fastgjort til, er for lille eller har en uregelmæssig form, kan der opstå en situation, hvor tilslutningselementet belaster snapkrogens eller karabinhagens led (A). Denne belastning kan medføre, at leddet åbnes (B), således at snapkrogen eller karabinhagen løsrives fra forbindelsespunktet (C).

- 2.7 FORBINDELSER:** Snapkroge og karabinhager anvendt med dette udstyr skal være selvlåsende. Sørg for, at alle forbindelser er kompatible i størrelse, form og styrke. Anvend ikke udstyr, der ikke er kompatibelt. Sørg for, at alle konnektorer er helt lukkede og låste. 3M-konnektorer (snapkroge og karabinhager) er udelukkende konstrueret til brug som specificeret i hvert produkts brugsanvisning. Se Figur 5 for eksempler på forkerte forbindelser. Tilslut ikke snapkroge og karabinhager:
- A. Til en D-ring som en anden konnektor er fastgjort til.
  - B. På en måde som vil medføre belastning på leddet. Store snapkroge med halsåbning bør ikke forbindes til en D-ring i standardstørrelse eller til lignende genstande, der vil medføre en belastning på leddet, hvis krogen eller D-ringen vrides eller drejes, medmindre snapkrogen er udrustet med en 16 kN-port (3.600 pund). Kontrollér mærkatet på din snapkrog for at bekræfte, at den er egnet til din anvendelse.
  - C. Ved forkert tilkobling, hvor dele, som stikker ud fra snapkrogen eller karabinhagen, kan få fat i ankeret og se ud til at være korrekt fastgjort til forankringspunktet, hvis ikke der tjekkes grundigt.
  - D. Til hinanden.
  - E. Direkte til remtøj, taljereb eller forankringslinen, (medmindre producentens vejledning for både taljereb og konnektor specifikt tillader en sådan tilslutning).
  - F. Til en genstand med en form eller størrelse, som gør, at snapkrogen eller karabinhagen ikke vil lukke og låse, eller som kan få linen til at rulle sig ud.
  - G. På en måde som forhindrer konnektoren i at flugte korrekt under belastning.

**Tabel 2 – Inspektionsskema**

Brugstype	Eksempler på anvendelse	Brugsbetingelser	Inspektionshyppighed
			Kvalificeret person
Lejlighedsvis til let	Redning og snævre områder, fabriksvedligeholdelse	Gode opbevaringsbetingelser, indendørs eller lejlighedsvis udendørs brug, stuetemperatur, rene omgivelser	Årligt
Moderat til massiv	Transport, boligbyggeri, forsyningsværker, lagerbygninger	Rimelige opbevaringsbetingelser, indendørs og omfattende udendørs brug, alle temperaturer, rene eller støvede omgivelser	Halvårligt til årligt
Alvorlig til kontinuerlig	Erhvervsbyggeri, olie og gas, minearbejde	Barske opbevaringsbetingelser, langvarig eller kontinuerlig udendørs brug, alle temperaturer, beskidte omgivelser	Kvartalsvist til halvårligt

- 1 Autoriseret person:** En person, der er udpeget af arbejdsgiveren til at udføre opgaver på en beliggenhed, hvor personen vil være udsat for en faldrisiko.
- 2 Redder:** Person eller personer, udover den person, der bliver reddet, som handler for at foretage en assisteret undsætning ved brug af et redningssystem.
- 3 Kvalificeret person:** Et individ, der af arbejdsgiveren er udpeget til at være ansvarlig for det umiddelbare tilsyn, implementering og overvågning af arbejdsgiverens anvendte faldsikringsprogram, som, gennem uddannelse og viden, er i stand til at identificere, vurdere og afhjælpe eksisterende og potentielle risici for fald, og som på arbejdsgiverens vegne har tilladelse til straks at træffe korrigerende foranstaltninger med hensyn til sådanne risici.

## 3.0 Installation

- 3.1 PLANLÆGNING:** Planlæg dit faldstandsningssystem, inden du starter arbejdet. Tag højde for alle faktorer, der kan påvirke din sikkerhed inden, under og efter et fald. Overvej alle krav og begrænsninger angivet i denne manual.
- 3.2 FORANKRING:** Figur 7 viser almindelige SRL-forankringstilslutninger. Forankringen (A) skal befinde sig umiddelbart ovenover for at minimere farerne ved frit fald og svingfald (se afsnit 2). Vælg et fast forankringspunkt, der er i stand til at modstå de statiske belastninger, der er beskrevet i afsnit 2.2. Forankringsøjet på SRL'en er udstyret med en karabinhage (B). Fastgør karabinhagen direkte på forankringsstrukturen (armeringsstang, vinkeljern osv.), en afsnøringsadapter (C) eller et forankringstilslutningspunkt (D).
- 3.3 SELEFORBINDELSE:** Der kræves en helkropssele til faldstandsningsanvendelser. Fastgør snapkrogen (A) på SRL-livlinen til bageste D-ring (B) på helkropsselen. (Se figur 8). Til situationer såsom klatring på stiger kan det være en god ide at koble den fast til D-ringen på brystet. Se producenten af faldselens anvisninger for oplysninger om faldselens tilslutningspunkter.
- 3.4 MONTERING PÅ TREFOD:** Figur 9 viser montering af Sealed-Blok selvoprullende anordning med hentningshåndsving på en DBI-SALA-trefod. SRD-R'en er monteret på en af trefodens ben, og livlinen løber gennem et taljebloksystem på trefodens hoved:

**1. Fastgør hurtigmonteringsbeslaget på trefodens ben:** Saml hurtigmonteringsbeslaget rundt om det øverste rør på trefodens ben. Indstil hurtigmonteringsbeslaget til mindst 30 cm (12 tommer) over låsestiften på trefodens ben, og spænd så monteringsboltene til 20 Nm (15 fod-pund). Boltene må ikke spændes for hårdt.

*Monter aldrig hurtigmonteringsbeslaget på det nederste (teleskopiske) rør på trefodens ben.*

- 2. Fastgør SRL'ens monteringsbeslag på hurtigmonteringsbeslaget:** Placer hakkene på SRL'ens monteringsbeslag over enderne af stængerne, der stikker ud fra lynmonteringsbeslaget, og drej så SRL'en mod trefodens ben, indtil hullerne i SRL'ens monteringsbeslag befinder sig ud for hullerne i lynmonteringsbeslaget. Før monteringsstiften gennem hullerne i SRL'ens monteringsbeslag og lynmonteringsbeslaget.
- 3. Før SRL'ens livline over taljeblokkene på trefodens monteringshoved:** Fjern de to låsestifter fra monteringshovedet. Placer SRL'ens livlinekabel i rillerne i de to taljeblokke på monteringshovedet. Sæt låsestiftene tilbage i monteringshovedet.

## 4.0 BETJENING

*Førstegangsbrugere eller personer, som kun bruger dem sjældent, bør gennemgå "Sikkerhedsoplysninger" i starten af denne vejledning før brug af selvoprullende anordning (SRD).*

- 4.1 FØR HVER BRUG:** Inspicer dette faldsikringsudstyr omhyggeligt hver gang, inden det anvendes, for at sikre, at det er i god arbejdsmæssig stand. Se efter, om der er beskadigede eller slidte dele. Sørg for, at alle bolte er til stede og sikre. Kontrollér, at livlinen ruller sig korrekt sammen ved at trække linen ud og langsomt lade den rulle ind. Hvis der er nogen tøven ved oprulningen, skal enheden markeres som "IKKE EGNET TIL BRUG" og sendes til et autoriseret servicecenter til service. Inspicer livlinen for flænger, flosser, brændmærker, sammentrykninger og tæring. Kontrollér låsemekanismen ved at trække hårdt i linen. Se afsnit 5 for inspektionsdetaljer. Må ikke bruges, hvis inspektionen afslører en usikker tilstand.
- 4.2 EFTER ET FALD:** Alt udstyr, der har været udsat for kraftpåvirkningen ved en faldstandsning, eller som udviser skader, der svarer til dem, der opstår ved en sådan kraftpåvirkning, som beskrevet i afsnit 5, skal øjeblikkeligt tages ud af drift, markeres som "IKKE EGNET TIL BRUG" og serviceres som anført i afsnit 5 og 6.
- 4.3 KROPSSSELE:** Der skal anvendes en helkropssele, når den selvoprullende anordning bruges. Til generel faldsikringsbrug kobles den til den bageste D-ring på ryggen. Til situationer såsom klatring på stiger kan det være en god ide at koble den fast til D-ringen på brystet. Se producenten af faldselens anvisninger for oplysninger om faldselens tilslutningspunkter.
- 4.4 FORBINDELSER:** Foretages sammenkoblingen med en krog, skal du sørge for, at linen ikke kan rulle ud (se figur 5). Undlad at bruge kroge eller konnektorer, der ikke lukker fuldstændigt over det tilkoblede emne. Undlad at bruge ikke-låsende snapkroge. Monteringsoverfladen skal leve op til kravene til forankringsstyrke som angivet i afsnit 2.2. Følg altid de anvisninger fra producenten, der leveres med hver systemkomponent.
- 4.5 BETJENING:** Efterse SRD'en som beskrevet i afsnit 5.0. Kobl SRD'en til en passende forankring eller en forankringskonnektor, som tidligere beskrevet. Forbind den selvlåsende snapkrog på enden af livlinen med D-ringen på ryggen af helkropsselen (se figur 8). Sørg for, at alle forbindelser er kompatible i størrelse, form og styrke. Sørg for, at karabinhagen er helt lukket og låst. Når først arbejderen er fastgjort, kan denne frit bevæge sig omkring inden for det anbefalede arbejdsområde ved normal hastighed. Under arbejde med en SRD skal du altid lade livlinen rulle tilbage i anordningen, mens du holder øje med den. Det kan være nødvendigt at anvende en holdeline for at forlænge eller tilbagetrække livlinen under forbindelses- og frakoblingshandlinger. Der kan anvendes en holdeline til at forhindre ukontrolleret tilbagetrækning af livlinen ind i SRD'en. Afhængigt af arbejdsstedets miljø og forhold, kan det være nødvendigt at fastgøre den frie ende af holdelinen for at forhindre, at den forårsager forstyrrelser eller vikler sig ind i udstyr eller maskineri.
- 4.6 RSQ™ VALG AF FALDSTANDSNINGS-/NEDSTIGNINGSTILSTAND:** DBI-SALA RSQ™ Dual-Mode SRL'er med to tilstande er udstyret med et RSQ-greb til at vælge mellem faldstandsnings- eller nedstigningstilstand på SRL'en (se figur 10). Hvis RSQ-vælgegrebet er indstillet til "faldstandsning", standser SRL'en faldet. Hvis RSQ-vælgegrebet er indstillet til "nedstigning", sænker SRL'en automatisk brugeren ned til et lavere niveau, hvis der forekommer et fald. Sådan vælges faldstandsnings- eller nedstigningstilstand:
1. Træk RSQ-aktiveringsgrebet udad.
  2. Drej RSQ™-aktiveringsgrebet, indtil pilen på forsiden af grebet peger på nedstigningstilstand (A) eller faldstandsningstilstand (B) og RSQ™-aktiveringsgrebet klikker på plads med valgstiften (som vist på figur 10).

**RSQ-nedstigningstilstand:** I nedstigningstilstand sænkes brugeren automatisk ned til et lavere niveau, hvis der forekommer et fald.

**RSQ-faldstandsningstilstand:** I faldstandsningstilstanden standser SRD'en faldet, og brugeren bliver hængende. Nedstigning aktiveres og styres med RSQ™-aktiveringsgrebets træk-ring eller et valgfrit udløserværktøj på en forlængerstang (se figur 11):

- **Aktiveringsgrebets træk-ring:** Figur 11 viser brug af aktiveringsgrebets træk-ring. For at deaktivere faldstandsningstilstand og aktivere nedstigning skal du tage fat i træk-ringen og trække aktiveringsgrebet lige ud (A). Nedstigningen stoppes ved at slippe træk-ringen for at genaktivere faldstandsningstilstanden (B). For helt at aktivere nedstigningstilstanden, så nedstigningen fortsættes, uden at der trækkes i træk-ringen, skal aktiveringsgrebet drejes mod uret (C), indtil pilen på forsiden af grebet peger mod valgstiften for nedstigning (se figur 10).

*Der kræves en trækraft på 0,36 kN - 0,45 kN (80 pund - 100 pund) for at udløse RSQ™-Aktiveringsgrebet fra faldstandsningstilstanden.*

- **Udløserværktøj på forlængerstang:** Indsæt udløserværktøjet på forlængerstang fra en vilkårlig retning, så enderne på udløsergafflerne omgiver basen på RSQ™-aktiveringsgrebet under den riflede kant og træk-ringen (se figur 11D). For at deaktivere faldstandsningstilstanden og igangsætte nedstigningen skal der skubbes fremad på forlængerstangen, indtil RSQ™-aktiveringsgrebet sidder helt fast på udløsergafflen. Nedstigningen vil fortsætte, så længe udløsergafflen sidder helt fast mellem RSQ™-aktiveringsgrebet og huset. Hvis man fjerner udløsergafflen, kan det forårsage, at enheden igen går i faldstandsningstilstand.

*Udløsergafflen på udløserværktøjet på forlængerstang er snævret ind, så det kan skubbe RSQ™-aktiveringsgrebet lige ud, i takt med at gafflen skubbes frem over grebet. Det er ikke nødvendigt at brække i grebet med forlængerstangen. Hvis man brækker i grebet, risikerer man at brække det af.*

*Sealed-Blok RSQ SRL'er er designet til faldstandsning i nødstilfælde, og må kun anvendes til én enkelt vertikal nedstigning. Hvis SRL'en bruges til nedstigning, skal den øjeblikkeligt tages ud af brug og sendes til et autoriseret servicecenter til reparation.*

**4.7 HENTNINGSFUNKTION:** Figur 12 viser brugen af det integrerede hentningshåndsving til redning på Sealed-Blok hentnings-SRL-R. Forsøg ikke på at anvende hentning med livlinen helt tilbagetrukket. Aktivering af hentningstilstanden og brug af hentningshåndsving til redning:

1. Løsn fingerskruen til låsning for at frigøre krumtaparmen.
2. Drej hentningshåndtaget 90° op og væk fra SRL'ens hus.
3. Træk og hold skiftekeglegrebet i den ulåste position.
4. Skub krumtaparmen ind, og slip skiftekeglegrebet for at aktivere. Drej om nødvendigt krumtaparmen med uret for at lette aktivering af spillet.
5. Hævning og sænkning af livlinen som vist på figur 12:
  - A For at løfte: Drej krumtaparmen med uret.
  - B For at sænke: Drej krumtaparmen mod uret. Efter faldstandsning: Drej først krumtaparmen en smule med uret for at frigøre faldbremsen, og drej den derefter mod uret.

*Det integrerede hentningshåndsving til redning på SRL-R-modeller med tre nødhentningsfunktioner er kun til redningsformål og bør ikke anvendes til arbejdspositionering eller løftning/sænkning af materialer.*

*DBI-SALA SRL-R'er er ikke udstyret med en momentbegrænser til at begrænse kraften, som udøves på drevkomponenterne og den fastgjorte person. Undgå en slap line i hentningstilstanden. Desuden skal personen overvåges under hentning for at sikre, at vedkommende ikke udsættes for overdreven belastning ved fortsat løftning efter sammenstød med en forhindring.*

*En minimumsbelastning på 33,9 kg (75 pund) er nødvendig for at sænke eller slække livlinen. Der kræves en trækraft på 0,13 kN (30 pund) for at betjene hentningssystemet, når belastningskapaciteten er udnyttet helt.*

*Hold op med at dreje armen, når livlinen er helt udtrukket eller tilbagetrukket. Fortsat omdrejning kan beskadige komponenter.*

**4.8 DEAKTIVERING AF HENTNING:** Sådan deaktiveres hentningstilstanden:

*Når hentningstilstanden er deaktiveret, trækkes livlinens forlængelse ind i SRL'en. Træk livlinen tilbage før deaktiveringen, eller hold fast i livlinen for at undgå personskade.*

1. Fjern enhver belastning fra livlinen.
2. Træk og hold skiftekeglegrebet i den ulåste position.
3. Træk krumtaparmen ud for at deaktivere, og slip så skiftekeglegrebet.
4. Træk hentningshåndtaget ud, og drej det ned mod SRL'ens hus til opbevaringspositionen.

## 5.0 Inspektion

**5.1 RFID-MÆRKAT:** Den selvoprullende anordning inkluderer et mærkat for radiofrekvensidentifikation (RFID) (se figur 13). RFID-mærkatet kan bruges sammen med det håndholdte aflæsningsapparat og en internetbaseret portal, der gør inspektion og lagerstyring nemmere, og giver relevant dokumentation for faldsikringsudstyret. Kontakt 3M's kundeservicerepræsentant for detaljer (se bagsiden). Følg de anvisninger, som fulgte med din håndholdte aflæser, eller som er at finde på webportalen, for at overføre dine data til din weblog.

**5.2 INSPEKTIONSHYPPIGHED:** Sealed-Blok selvoprullende taljere skal inspiceres med de intervaller, som er angivet i afsnit 2 (Inspektionshyppighed). Inspektionsprocedurer er beskrevet i "Inspektions- og vedligeholdelsesloggen" (tabel 3).

Ekstreme arbejdsforhold (barsk miljø, langvarig brug osv.) kan gøre det nødvendigt at øge inspektionshyppigheden.

**5.3 USIKRE ELLER DEFEKTE TILSTANDE:** Hvis eftersynet afslører usikre eller defekte tilstande, skal den selvoprullende anordning tages ud af drift øjeblikkeligt, markeres som "IKKE EGNET TIL BRUG" og lade en kvalificeret person foretage et eftersyn for at afgøre reparationsmulighederne.

Udover FAST-Line Livline må kun 3M eller autoriserede parter med skriftlig tilladelse reparere eller udskifte dette udstyr.

**5.4 PRODUKTETS LEVETID:** Den driftsmæssige levetid for DBI-SALA selvoprullende anordning afhænger af arbejdsbetingelser og vedligeholdelse. Så længe produktet godkendes ved inspektionen, må det fortsat bruges.

## 6.0 VEDLIGEHOLDELSE, SERVICERING og OPBEVARING

**6.1 RENGØRING:** Rengøringsprocedurerne for den selvoprullende anordning er som følger:


- Rengør regelmæssigt SRD'en udvendigt med vand og en mild sæbeopløsning. Placer SRD'en således, at overskydende vand kan løbe ud. Rengør mærkaterne efter behov.
- Rengør livlinen med vand og en mild sæbeopløsning. Skyl og lufttør grundigt. Undlad hurtig tørring med varme. Overdreven ophobning af snavs, maling osv. kan forhindre livlinen i at trække sig helt tilbage i huset, hvilket kan udgøre en potentiel risiko ved frit fald. Udskift livlinen hvis der er opstået overdreven ophobning.

**6.2 SERVICE:** FAST-Line livliner kan udskiftes på stedet af en kvalificeret person<sup>1</sup>. Se figur 1 for det nødvendige FAST-Line livline udskiftningsudstyr. Installér livlinen i følge instruktionerne i betjeningsmanualen (5903076), som er inkluderet med FAST-Line udstyret. Lad altid en helt kvalificeret person udføre eftersyn efter udskiftningen af FAST-Line livlinen. Yderligere service, som bestem ved et eftersyn af en kvalificeret person, skal udføres af et autoriseret servicecenter. Forsøg ikke at skille SRD'en ad eller smøre dens komponenter.

**6.3 OPBEVARING OG TRANSPORT:** Transportér og opbevar den selvoprullende anordning på et køligt, tørt og rent sted uden direkte sollys. Undgå steder, hvor der kan være kemikaliedampe. Efterse altid SRD'en omhyggeligt efter længere tids opbevaring.

## 7.0 Mærkater

Figur 20 viser mærkater på Sealed-Blok SRD'er og deres placeringer. Alle mærkater skal være til stede på SRD'en. Mærkater skal udskiftes, hvis de ikke er helt læselige. Hver mærkat har følgende information:

	Læs alle instruktioner.
<b>(A)</b>	Længde af livline (maksimal løfteafstand)
<b>(B) (C)</b>	1) Korrekt faldstandsingsforbindelse til SRD. 2) Temperaturanvendelsesområde: -40 °C to +60 °C. 3.1) Forankr altid SRD over hovedet. 3.2) SRD'en må aldrig forankres under faldselens tilslutningspunkt på ryggen. 4) Maksimal kapacitet: 140 kg <sup>(B)</sup> /135 kg <sup>(C)</sup> . 5) Efterse snapkrog og belastningsindikator. 6) Kontrollér, at SRD'en låser korrekt. Der skal være en hørbar lyd, når SRD'en låser. 7) Belast ikke SRD'en over en kant. 8) Efterse karabinhagens belastningsindikator. SRD må ikke bruges, hvis der indikeres belastning. 9) Kontrollér livlinen, mens den rekylere ind i SRD'en. 10) Fare for svingfald. Livlinevinkel skal være næsten lodret. 11.1) Må ikke repareres. 11.2) Service og reparationer må kun udføres af personale, der er autoriseret af 3M. 12) Opbevar på et køligt, tørt sted uden for direkte sollys. 13) Brug ikke hvis reserve-livlinebåndet er eksponeret. 14) Mærkater må ikke fjernes. Alle mærkater skal være stede til og læselige. 15) Maksimal nedstigningshøjde 16) Fastgøringspunkt for sekundær faldende objektforankring 17) Fremstillingsår og -måned, partinummer, modelnummer 18) Længde af livline (maksimal løfteafstand). 19) Læs FAST-Line betjeningsmanualen (5903076). 20) Hentningsfunktion: <b>(A)</b> Løsn fingerskruen til låsning. <b>(B)</b> Drej hentningshåndtaget op. <b>(C)</b> Træk og hold skiftekluglegrebet. <b>(D)</b> Tryk krumtappen ind og slip skiftekluglegrebet. Drej om nødvendigt krumtapparmen en smule med uret for at aktivere spillet. Drej krumtapparmen mod uret for løftning. Drej krumtapparmen med uret for sænkning. <b>(E)</b> Slip skiftekluglegrebet for at låse krumtapparmen.
<b>(D)</b>	Dette produkt er radiofrekvensidentifikation (RFID) aktiveret og indeholder en elektronisk etiket, som kan aflæses af kompatible aflæsere. Den giver inspektionslogbøger, lagerstyring og anden sikkerhedsinformation.
<b>(E) (F)</b>	A) Serienummer B) Modelnummer C) Fremstillingsdato D) Partinummer E) Serviceeftersyndatoer
<b>(G)</b>	Sænkning: Drej krumtapparmen en smule mod uret for at frigøre faldstandsingsbremsen, og drej så krumtapparmen med uret. Hævning: Drej krumtapparmen mod uret. Maksimal løftebelastning: 135 kg
<b>(H) (I)</b>	Træk RSQ-aktiveringsgrebet ud og drej det, indtil pilen peger på den valgte tilstand: <b>(D)</b> Sænkning, <b>(E)</b> faldstandsning

**1 Kvalificeret person:** Et individ, der af arbejdsgiveren er udpeget til at være ansvarlig for det umiddelbare tilsyn, implementering og overvågning af arbejdsgiverens anvendte faldsikringsprogram, som, gennem uddannelse og viden, er i stand til at identificere, vurdere og afhjælpe eksisterende og potentielle risici for fald, og som på arbejdsgiverens vegne har tilladelse til straks at træffe korrigerende foranstaltninger med hensyn til sådanne risici.

**Tabel 3 – Inspektions- og vedligeholdelseslog**

Serienummer/-numre:		Købsdato:	
Modelnummer:		Dato for første brug:	
Inspiceret af:		Inspektionsdato:	
Komponent:	Inspektion:	Før hvert brug	Kvalificeret person
SRD (figur 14)	Efterse anordningen for løse bolte og bøjedede eller beskadigede dele.	<input type="checkbox"/>	<input type="checkbox"/>
	Kontroller huset (A) for forvriddning, revner eller anden beskadigelse.	<input type="checkbox"/>	<input type="checkbox"/>
	Kontrollér forankringsøjet (B) for forvriddning, revner eller anden beskadigelse. Forankringsøjet skal fastgøres forsvarligt til SRL'en, men det bør kunne drejes frit.	<input type="checkbox"/>	<input type="checkbox"/>
	Livlinen (C) skal kunne trækkes ud og rulles helt op uden hindring, og uden at linen bliver slap.	<input type="checkbox"/>	<input type="checkbox"/>
	Sørg for at anordningen låser, når der pludseligt trækkes hårdt i livlinen. Låsningen skal være fast uden slip. BEMÆRK: SRL'er med RSQ skal befinde sig i faldstandsningstilstand til denne test (se figur 8)	<input type="checkbox"/>	<input type="checkbox"/>
	Mærkatene skal være til stede og helt læselige (se "Mærkater").	<input type="checkbox"/>	<input type="checkbox"/>
	Efterse hele enheden for tegn på korrosion.	<input type="checkbox"/>	<input type="checkbox"/>
Drejelig snapkrog og belastningsindikator (figur 15)	Efterse den drejelige snapkrog for tegn på beskadigelse, korrosion og funktionstilstand. Drejeleddet skal dreje frit. Efterse belastningsindikatoren. Hvis det røde bånd vises (indikeret tilstand), er der indtrådt overbelastning, og SRL'en skal tages ud af service og inspiceres. Forsøg ikke på at nulstille at belastningsindikatoren. Få SRL'en nulstillet hos et autoriseret servicecenter. BEMÆRK: Drejeleddet kan ikke dreje frit, når belastningsindikatoren er i indikeret tilstand.	<input type="checkbox"/>	<input type="checkbox"/>
	<input checked="" type="checkbox"/> <b>FAST-Line betyder LIVSTID:</b> Hvis det røde bånd på belastningsindikatoren for drejesnapkrogen viser (indikeret tilstand), så kontakt 3M med henblik på service fra et autoriseret servicecenter eller udskift FAST-Line livlinen ifølge instruktionerne i "FAST-Line livline betjeningsmanualen for udskiftningsudstyr (5903076)" og lad en kvalificeret person foretage en inspektion.		<input type="checkbox"/>
FAST-Line kabellivline (Figur 16)	Efterse livline for snit, kinker, brudte kabler, sammenpressede ydre kabellag (såkaldt fuglebure), korrosion, svejseprøjt, områder med kemikaliekontakt eller alvorligt slidte områder. Skub kabelfangeren op og efterse ferruler for revner eller beskadigelse og efterse stålkablet for korrosion og brudte tråde. Udskift stålkabelsamlingen, hvis der er seks eller flere tilfældigt fordelte ødelagte tråde i et lag, eller tre eller flere ødelagte tråde i en streng i et lag. Et "lag" stålkabel er den længde stålkabel, der skal til, for at en streng (de større grupper af tråde) kan nå en omgang eller snoning langs rebet. Udskift stålkabelsamlingen, hvis der er brudte tråde inden for 25 mm (1 tomme) af ferrulerne.	<input type="checkbox"/>	<input type="checkbox"/>
	<input checked="" type="checkbox"/> <b>FAST-Line betyder LIVSTID:</b> Hvis et eftersyn i det forrige trin indikerer behov for udskiftning af livline, så kontakt 3M med henblik på service fra et autoriseret servicecenter eller udskift FAST-Line livlinen i følge instruktionerne i "FAST-Line livline betjeningsmanualen for udskiftningsudstyr (5903076)" og lad en kvalificeret person foretage en inspektion.		<input type="checkbox"/>
Reservelivline (Figur 17)	Efterse udrulning af reservelivlinen. Hvis et fald er blevet standset med det meste af livlinen udrullet, er det muligt, at reservelivlinen er blevet udløst. Træk livlinen ud af SRD'en, indtil den stopper. Hvis knapstop (A) trækkes ud og er synlig, er livlinen brugt, og livlinen bør udskiftes.	<input type="checkbox"/>	<input type="checkbox"/>
	<input checked="" type="checkbox"/> <b>FAST-Line betyder LIVSTID:</b> Hvis et eftersyn i det forrige trin indikerer behov for udskiftning af livline, så kontakt 3M med henblik på service fra et autoriseret servicecenter eller udskift FAST-Line livlinen i følge instruktionerne i "FAST-Line livline betjeningsmanualen for udskiftningsudstyr (5903076)" og lad en kvalificeret person foretage en inspektion.		<input type="checkbox"/>
RSQ-komponenter (figur 18)	Der skal udføres en håndtrækningstest på RSQ™-komponenter før hver brug: 1. Placer RSQ-aktiveringsgrebet i nedstigningspositionen (diagram 4). 2. Grib fast i livlinen og træk kraftigt for at aktivere nedstigningsmekanismen. 3. Fortsæt med at trække ca. 1 m (3 fod) kabel forsigtigt ud. Når du trækker kablet ud, skal du føle en stabil modstand.	<input type="checkbox"/>	<input type="checkbox"/>
Integreret hentningshåndsving til redning (Figur 19)	Kontroller krumtaparmen (A) for forvriddning eller anden beskadigelse. Sørg for, at hentningshåndsvinget (B) kan drejes ud og fastgøres i håndsvingspositionen.	<input type="checkbox"/>	<input type="checkbox"/>
	Sørg for, at hentningsskiftekluglegrebet (C) kan trækkes ud til den ulåste position, og derefter slippes, så krumtaparmen låses i både den aktiverede og deaktiverede position.	<input type="checkbox"/>	<input type="checkbox"/>
	Test hentningstilstanden for korrekt funktion ved at hæve og sænke en testvægt på mindst 34 kg (75 pund). Når hentningshåndtaget slippes, må vægten ikke flytte sig, og hentningshåndtaget skal blive i dets position (ingen bevægelse). Der skal høres en "klikkende" lyd, når læsset løftes.	<input type="checkbox"/>	<input type="checkbox"/>
<b>Korrigerende foranstaltning/vedligeholdelse:</b>		Godkendt af:	
		Dato:	
<b>Korrigerende foranstaltning/vedligeholdelse:</b>		Godkendt af:	
		Dato:	
<b>Korrigerende foranstaltning/vedligeholdelse:</b>		Godkendt af:	
		Dato:	
<b>Korrigerende foranstaltning/vedligeholdelse:</b>		Godkendt af:	
		Dato:	
<b>Korrigerende foranstaltning/vedligeholdelse:</b>		Godkendt af:	
		Dato:	
<b>Korrigerende foranstaltning/vedligeholdelse:</b>		Godkendt af:	
		Dato:	

## SICHERHEITSHINWEISE

**Vor der Verwendung dieser Selbsteinzugsvorrichtung (SRD) müssen die Sicherheitshinweise in diesen Anweisungen gelesen, verstanden und befolgt werden. NICHTBEACHTUNG KANN ERNSTE VERLETZUNGEN ODER DEN TOD ZUR FOLGE HABEN.**

**Diese Anweisungen müssen dem Benutzer dieser Ausrüstung zur Verfügung gestellt werden. Bewahren Sie diese Anweisungen für den späteren Gebrauch auf.**

### Verwendungszweck:

Diese Selbsteinzugsvorrichtung ist für den Gebrauch als Teil eines kompletten persönlichen Absturzschutzsystems vorgesehen.

Die Verwendung in anderen Anwendungen, u. a. bei Materialtransport, Freizeitaktivitäten, Sportaktivitäten oder anderen, nicht in der Bedienungsanleitung beschriebenen Aktivitäten, wird nicht durch 3M genehmigt und kann zu schweren Verletzungen oder zum Tod führen.

Dieses Gerät darf nur von Personen verwendet werden, die in der Verwendung des Geräts am Arbeitsplatz geschult sind.

## ! WARNUNG

Diese Selbsteinzugsvorrichtung ist Teil eines persönlichen Absturzschutzsystems. Es wird erwartet, dass alle Benutzer vollständig in dem sicheren Zusammenbau und der Bedienung ihres persönlichen Absturzschutzsystems geschult werden. **Der unsachgemäße Gebrauch dieses Geräts kann ernste Verletzungen oder den Tod zur Folge haben.** Informationen zur richtigen Auswahl, Bedienung, Installation, Wartung und Instandhaltung sind dieser Bedienungsanleitung und den Herstellerempfehlungen zu entnehmen, oder wenden Sie sich an Ihren Vorgesetzten oder an den technischen Kundendienst von 3M.

- **Maßnahmen zur Reduzierung der Risiken (die, wenn sie nicht vermieden werden, zu schweren Verletzungen oder zum Tod führen können) im Zusammenhang mit einer SRD:**
  - Überprüfen Sie die SRD vor jedem Einsatz und achten Sie auf ordnungsgemäße Arretierung und Retraktion.
  - Falls bei der Überprüfung eine Gefahr oder ein Mängelzustand festgestellt wird, nehmen Sie das Gerät außer Betrieb und reparieren oder ersetzen Sie es gemäß den Benutzeranweisungen.
  - Wenn die SRD einer Absturzicherung oder Aufprallkräften ausgesetzt war, muss diese umgehend aus dem Betrieb genommen und als ‚UNBRAUCHBAR‘ gekennzeichnet werden.
  - Stellen Sie sicher, dass das Sicherungsseil von jeglichen Behinderungen ferngehalten wird, u. a. Verwicklung bzw. Verfangen mit sich bewegenden Maschinen oder Ausrüstungen (z. B. dem Kraftdrehknopf von Ölplattformen), anderen Arbeitern, dem eigenen Körper oder umliegenden Gegenständen bzw. der Aufprall von über dem Kopf befindlichen Gegenständen, die auf das Sicherungsseil oder den Arbeiter fallen könnten.
  - Niemals das Sicherungsseil durchhängen lassen. Das Sicherungsseil nicht binden oder kneten.
  - Befestigen Sie das lose Ende des Beimgurts der am Auffanggurt montierten SRD am Verbindungsstück des Auffanggurts, falls vorhanden.
  - Nicht bei Anwendungen einsetzen, bei denen die Fallstrecke Hindernisse aufweist. Bei Arbeiten auf beweglichem Untergrund wie Sand oder Korn bzw. in beschränktem oder beengtem Raum wird unter Umständen bei der Person keine ausreichend hohe Fallgeschwindigkeit erreicht, um eine Arretierung der SRD herbeizuführen. Eine freie Fallstrecke ist erforderlich, damit ein sicheres Arretieren der SRD gewährleistet ist.
  - Plötzliche und schnelle Bewegungen während normaler Arbeitsvorgänge sind zu vermeiden. Hierdurch kann eine Arretierung der Vorrichtung ausgelöst werden.
  - Stellen Sie sicher, dass Absturzschutzsysteme/Teilsysteme, die aus Komponenten von verschiedenen Herstellern zusammengebaut werden, zueinanderpassen und den Anforderungen von geltenden Normen, einschließlich ANSI Z359 oder anderen gültigen Absturzschutzrichtlinien, Standards oder Anforderungen entsprechen. Ziehen Sie stets einen Sachkundigen und/oder eine qualifizierte Person zurate, bevor Sie diese Systeme verwenden.
- **Maßnahmen zur Reduzierung der Risiken (die, wenn sie nicht vermieden werden, zu schweren Verletzungen oder zum Tod führen können) im Zusammenhang mit Arbeiten in der Höhe:**
  - Stellen Sie sicher, dass Ihre gesundheitliche und körperliche Verfassung allen Kräften im Zusammenhang mit Arbeiten in der Höhe sicher standhalten kann. Konsultieren Sie Ihren Arzt, wenn Sie Fragen bezüglich Ihrer Fähigkeit haben, diese Ausrüstung zu verwenden.
  - Niemals die zulässige Belastbarkeit für Ihre Absturzschutzsausrüstung überschreiten.
  - Niemals die maximale Strecke des Absturzes Ihrer Absturzschutzsausrüstung überschreiten.
  - Verwenden Sie keine Absturzschutzsausrüstung, die die Prüfung vor dem Einsatz oder andere geplante Prüfungen nicht bestanden haben, oder wenn Sie Bedenken über die Verwendung oder Tauglichkeit dieser Ausrüstung für Ihren Anwendungsbereich haben. Bei allen Fragen wenden Sie sich an den technischen Kundendienst von 3M.
  - Manche Kombinationen mit Teilsystemen und Komponenten können die Funktionsweise dieser Ausrüstung beeinträchtigen. Nur kompatible Verbindungselemente verwenden. Konsultieren Sie 3M, bevor Sie diese Ausrüstung in Kombination mit anderen Komponenten oder Untersystemen verwenden als denen, die in dieser Bedienungsanleitung beschrieben sind.
  - Bei der Arbeit in der Nähe von beweglichen Maschinen (z. B. Kraftdrehknopf von Ölplattformen), elektrischen Gefahrenherden, extremen Temperaturen, chemischen Gefahren, explosiven oder toxischen Gasen, scharfen Kanten oder unterhalb von über dem Kopf befindlichen Materialien, die auf Sie oder Ihre Absturzschutzsausrüstung fallen könnten, besonders vorsichtig vorgehen.
  - Bei Arbeiten in Umgebungen mit hohen Temperaturen Vorrichtungen für Schweißlichtbogen oder Heißen verwenden.
  - Oberflächen und Gegenstände vermeiden, die dem Benutzer oder der Ausrüstung schaden könnten.
  - Stellen Sie bei Arbeiten in der Höhe einen angemessenen Fallraum sicher.
  - Niemals versuchen, die Absturzschutzsausrüstung zu modifizieren. Nur 3M oder Dritte, die hierzu schriftlich von 3M autorisiert sind, dürfen Reparaturen an der Ausrüstung vornehmen.
  - Vergewissern Sie sich vor dem Einsatz der Absturzschutzsausrüstung, dass ein Rettungsplan vorliegt, durch dessen Mittel eine unverzügliche Rettung bei einem Absturz ermöglicht wird.
  - Wenn es zu einem Absturz kommt, muss für den abgestürzten Arbeiter sofort ein Arzt hinzugezogen werden.
  - Verwenden Sie für Absturzschutzsausrüstungen keinen Haltegurt. Verwenden Sie nur einen Auffanggurt.
  - Minimieren Sie Pendelstürze, indem Sie so nahe wie möglich am Verankerungspunkt arbeiten.
  - Beim Training mit dieser Vorrichtung muss ein zweites Absturzschutzsystem in der Weise angewendet werden, dass der Trainingsteilnehmer keiner unbeabsichtigten Absturzgefahr ausgesetzt wird.
  - Beim Zusammenbau, der Verwendung oder Prüfung der Vorrichtung stets eine entsprechende persönliche Schutzausrüstung tragen.



Übertragen Sie die Angaben zur Produktbezeichnung vor Verwendung dieser Ausrüstung vom ID-Etikett in das „Inspektions- und Wartungsprotokoll“ hinten in diesem Handbuch.

## BESCHREIBUNG:

Abbildung 2 gibt Schlüsselkomponenten der DBI-SALA Sealed-Blok Selbstzugsvorrichtungen (SRD) wieder. Sealed-Blok-SRD sind Drahtsicherungsseile mit Trommelwinde (A), bei denen das Seil automatisch in ein gekapseltes Aluminiumgehäuse (B) zurückgezogen wird. Sie können mittels Karabiner, der durch die Drehöse (C) am oberen Ende des SRD befestigt ist, an einer Verankerung angehängt werden. Ein selbstschließender Schnapphaken (D) am Ende des Sicherungsseils wird mit dem für die Absturzicherung vorgesehenen Verbindungselement an einem Auffanggurt verbunden. Ein Stoßfänger (E) schützt das Drahtseil und die Endhülsen und somit den Karabinerhaken vor Abrieb und Korrosion.

Abbildung 1 gibt die Sealed-Blok-HSG-Modelle wieder, für die diese Bedienungsanleitung gilt. Folgende HSG-Typen sind verfügbar:

- **Verbindungsmittel mit automatischem Rückzug (Abbildung 2A):** Höhensicherungsgeräte oder Verbindungsmittel mit automatischem Rückzug (HSGs) sind für Anwendungen geeignet, in denen das Sicherungsseil während des Einsatzes allgemein senkrecht bleibt und der mögliche freie Fall auf 60 cm oder 2 Fuß begrenzt wird.
- **Verbindungsmittel mit automatischem Rückzug und Bergungshilfe:** Verbindungsmittel mit automatischem Rückzug und Bergungshilfe umfassen integrierte Mittel für eine assistierte Bergung durch das Anheben oder Absenken des zu bergenden Subjekts. HSG-R sind mit einer Dreizege-Notfallrettungskurbel (G) ausgerüstet (Abbildung 2B). HSG-RSQ sind mit einem RSQ Rettungs-/Abstiegsmodusknopf (Abbildung 2C) ausgestattet. Einige Rettungsmodelle sind mit beiden Rettungskomponenten (Abbildung 2D) versehen. Einige Modelle haben eine Dreibein-Aufhängung, um das HSG für Anwendungen in beengten Räumen am Bein eines Dreibeins zu befestigen.

## Tabelle 2 – Spezifikationen

Besitzer von FAST-Line Sealed-Blok Höhensicherungsgeräten mit einem Herstellungsdatum nach dem 4. Januar 2015 müssen nicht mehr ihre Fast-Line HSG an Capital Safety für eine erneute Zertifizierung im Falle eines Sturzes zurücksenden oder wenn der Sturzindikator anzeigt, dass der Haken ersetzt werden muss. Ersetzen Sie einfach das Kabel und den Haken über FAST-Line gemäß dem FAST-Line Servicehandbuch (5903076) und lassen Sie die Inspektion durch einen Sachkundigen vornehmen.

 Fast-Line	Beschreibung des Sicherungsseils	Haken
3401403	15 m (50 Fuß) verzinktes Drahtseil mit einem Durchmesser von 4,76 mm (3/16 Zoll) und selbstschließendem, drehbarem Karabiner aus beschichtetem Stahl mit Anzeige.	2000126
3401714	15 m (50 Fuß) rostfreies Drahtseil mit einem Durchmesser von 4,76 mm (3/16 Zoll) und einer schwenkbaren Öse aus Edelstahl mit Anzeige.	2100127
3900105	15 m (50 Fuß) verzinktes Drahtseil mit einem Durchmesser von 4,76 mm (3/16 Zoll) und selbstschließendem, drehbarem Karabinerhaken aus beschichtetem Stahl mit Anzeige.	2000180
3900106	15 m (50 Fuß) rostfreies Drahtseil mit einem Durchmesser von 4,76 mm (3/16 Zoll) und selbstschließendem, drehbarem Karabinerhaken aus beschichtetem Stahl mit Anzeige.	2000180
3900107	15 m (50 Fuß) rostfreies Drahtseil mit einem Durchmesser von 4,76 mm (3/16 Zoll) und selbstschließendem, drehbarem Karabinerhaken aus Edelstahl mit Anzeige.	2000181
3900108	26 m (85 Fuß) verzinktes Drahtseil mit einem Durchmesser von 4,76 mm (3/16 Zoll) und selbstschließendem, drehbarem Karabinerhaken aus beschichtetem Stahl mit Anzeige.	2000180
3900109	26 m (85 Fuß) rostfreies Drahtseil mit einem Durchmesser von 4,76 mm (3/16 Zoll) und selbstschließendem, drehbarem Karabinerhaken aus beschichtetem Stahl mit Anzeige.	2000180
3900111	26 m (85 Fuß) rostfreies Drahtseil mit 4,76 mm (3/16 Zoll) und selbstschließendem, drehbarem Karabinerhaken aus Edelstahl mit Anzeige.	2000181
3900124	26 m (85 Fuß) rostfreies Drahtseil mit einem Durchmesser von 4,76 mm (3/16 Zoll) und einer schwenkbaren Öse aus Edelstahl mit Anzeige.	2100127
3900112	40 m (130 Fuß) verzinktes Drahtseil mit einem Durchmesser von 4,76 mm (3/16 Zoll) und selbstschließendem, drehbarem Karabinerhaken aus beschichtetem Stahl mit Anzeige.	2000180
3900113	40 m (130 Fuß) rostfreies Drahtseil mit einem Durchmesser von 4,76 mm (3/16 Zoll) und selbstschließendem, drehbarem Karabinerhaken aus beschichtetem Stahl mit Anzeige.	2000180
3900114	40 m (130 Fuß) rostfreies Drahtseil mit einem Durchmesser von 4,76 mm (3/16 Zoll) und selbstschließendem, drehbarem Karabinerhaken aus Edelstahl mit Anzeige.	2000181
3900168	53 m (175 Fuß) verzinktes Drahtseil mit einem Durchmesser von 4,76 mm (3/16 Zoll) und selbstschließendem, drehbarem Karabinerhaken aus beschichtetem Stahl mit Anzeige.	2000180
3900169	53 m (175 Fuß) rostfreies Drahtseil mit einem Durchmesser von 4,76 mm (3/16 Zoll) und selbstschließendem, drehbarem Karabinerhaken aus beschichtetem Stahl mit Anzeige.	2000180
3900170	53 m (175 Fuß) rostfreies Drahtseil mit einem Durchmesser von 4,76 mm (3/16 Zoll) und selbstschließendem, drehbarem Karabinerhaken aus Edelstahl mit Anzeige.	2000181

Haken	Beschreibung	Werkstoff	Verschlußkraft	Maulöffnung
2000126	Selbstschließendem, drehbarem Karabiner mit Sturzindikator	Legierter Stahl	16 kN (3.600 lbs)	1,9 cm (3/4 Zoll)
2000180	Selbstschließendem, drehbarem Karabinerhaken mit Sturzindikator	Legierter Stahl	16 kN (3.600 lbs)	1,9 cm (3/4 Zoll)
2000181	Selbstschließendem, drehbarem Karabinerhaken mit Sturzindikator	Edelstahl	16 kN (3.600 lbs)	1,9 cm (3/4 Zoll)
2100127	Schwenkbare Öse mit Sturzindikator	Edelstahl	—	2,5 cm (1 Zoll) Durchm.

<b>Verkleidung:</b>	Gekapseltes Aluminiumgehäuse
<b>Zugfestigkeit des Sicherungsdrahtseils:</b>	Verzinkter Stahl - Min. 18,7 kN (4.200 lbs) Zugfestigkeit. Edelstahl - Min. 16,0 kN (3.600 lbs) Zugfestigkeit
<b>Maximale Bremskraft:</b>	6 kN (1.350 lbs)
<b>Durchschnittliche Bremskraft:</b>	4 kN (900 lbs)
<b>Maximaler Bremsweg:</b>	1,1 m (42 Zoll)
<b>Durchschnittliche Arretiergeschwindigkeit:</b>	1,4 m/s (4,5 Fuß/s)
<b>Abstiegsgeschwindigkeit für das RSQ:</b>	0,6-0,9 m/s (2-3 Fuß/s)
<b>Mindest-Fallraum:</b>	1,8 m (6 Fuß) bei 140 kg (310 lbs)

## 1.0 ANWENDUNGEN

- 1.1 VERWENDUNGSZWECK:** Selbsteinzugsvorrichtungen (HSGs) von 3M sind als Bestandteil einer persönlichen Schutzausrüstung gegen Absturz (PSAgA) gedacht. Abbildung 1 veranschaulicht HSGs, die in dieser Anleitung behandelt werden, und ihre typischen Anwendungen. Sie können in den meisten Situationen eingesetzt werden, in denen die uneingeschränkte Beweglichkeit der Arbeiter und eine Absturzsicherung notwendig sind (z. B. Inspektionsarbeiten, allgemeine Bauindustrie, Wartungsarbeiten, Ölproduktion, Arbeiten in beengten Räumen usw.).
- 1.2 NORMEN:** Ihr HSG entspricht der/den nationalen oder regionalen Norm(en), die auf der Vorderseite dieses Handbuchs angegeben ist/sind. Wenn dieses Produkt außerhalb des ursprünglichen Bestimmungslandes wiederverkauft wird, muss der Wiederverkäufer diese Anweisungen in der Sprache des Landes zur Verfügung stellen, in dem das Produkt verwendet werden wird.
- 1.3 SCHULUNG:** Die Ausrüstung muss von Personen, die in der richtigen Anwendung geschult sind, installiert und verwendet werden. Es obliegt der Verantwortung des Benutzers, mit diesen Anweisungen vertraut zu sein und in der richtigen Pflege und Handhabung dieser Ausrüstung geschult zu werden. Der Benutzer muss sich auch der Betriebseigenschaften, der Grenzen der Anwendbarkeit und der Konsequenzen eines unsachgemäßen Gebrauchs bewusst sein.
- 1.4 EINSCHRÄNKUNGEN:** Berücksichtigen Sie beim Installieren oder Verwenden dieser Ausrüstung stets folgende Einschränkungen und Anforderungen:
- **Tragfähigkeit:** Dieses HSG ist konformitätsgeprüft auf die Nutzung durch eine Person mit einem Gesamtgewicht (Bekleidung, Werkzeuge usw.) von 59 kg (130 lbs) bis 140 kg (310 lbs).<sup>1</sup> Stellen Sie sicher, dass alle Komponenten Ihres Systems für die Nennkapazität der entsprechenden Anwendung ausgelegt sind.
  - **Verankerungen:** Die Verankerungsstruktur für das HSG muss eine Belastung von bis zu 12 kN (2.697 lbs) aushalten können. Die Anschlageinrichtungen müssen der EN795 entsprechen.
  - **Arretierungsgeschwindigkeit:** Eine ungehinderte Fallstrecke sollte stets gewährleistet sein. Bei der Arbeit auf beschränktem oder beengtem Raum erreicht der Körper möglicherweise keine ausreichende Geschwindigkeit, um im Falle eines Absturzes eine Arretierung des HSG auszulösen. Bei Arbeiten auf langsam verrutschendem Material, wie Sand oder Korn, wird unter Umständen keine ausreichend hohe Fallgeschwindigkeit erreicht, um eine Arretierung des HSG auszulösen. Eine freie Fallstrecke ist erforderlich, damit ein sicheres Arretieren des HSG gewährleistet ist.
  - **Freier Fall:** Korrekt verwendet, begrenzen HSGs die Strecke des freien Falls auf maximal 61 cm (2 ft). Arbeiten Sie zur Vermeidung großer Fallstrecken nicht über der Verankerungsebene. **Ein HSG darf nicht ohne Rücksprache mit 3M durch Anbinden eines Verbindungsmittels oder einer ähnlichen Komponente verlängert werden.** Das Sicherungsseil darf keinesfalls abgeklemmt, verknötet oder an der Rückziehung oder Straffung gehindert werden. Ein Durchhängen muss vermieden werden.
  - **Pendelsturz:** Pendelstürze treten auf, wenn der Verankerungspunkt nicht direkt oberhalb des Absturzpunkts liegt. Die Kraft des Aufpralls auf ein Objekt kann bei einem Pendelsturz schwere Verletzungen hervorrufen (siehe Abbildung 3A). Minimieren Sie Pendelstürze, indem Sie so nahe wie möglich am Verankerungspunkt arbeiten (Abbildung 3B). Vom Verankerungspunkt entfernte Arbeiten (Abbildung 3C) erhöhen den Aufprall bei einem Pendelsturz und erhöhen den erforderlichen Fallraum (FR).
  - **Fallraum:** Abbildung 3B zeigt die Berechnung des Fallraums. Der Fallraum (FR) ist die Summe aus Freifall (FF), Abbremsungsdistanz (DD) und einem Sicherheitsfaktor (SF):  $FR = FF + DD + SF$ . Das Rutschen der Auffangöse und die Ausdehnung des Auffanggurtes sind im Sicherheitsfaktor enthalten. Fallraumwerte wurden berechnet und sind in Abbildung 4 tabellarisch aufgeführt. Ein Sicherheitsfaktor von 1 m (3,28 ft) wurde für alle Werte in Abbildung 4 benutzt. Abbildungen 3B und 3C veranschaulichen den Fallraum. HSG-Absturzschutzsysteme sollten für Stürze aus einer stehenden Position, in der das HSG direkt über Kopf verankert ist (Abbildung 3B), einen Mindestfallraum haben, der in Tabelle 1 spezifiziert ist. Stürze aus einer knienden oder kauern Position erfordern einen zusätzlichen Fallraum von 1 m (3 ft). In einer Pendelsturzsituation (Abbildung 3C) wird die gesamte vertikale Fallstrecke größer sein, als wenn der Anwender direkt unterhalb des Anschlagpunkts abgestürzt wäre, weswegen womöglich ein größerer Fallraum nötig ist. Abbildung 4 und die zugehörige Tabelle geben den maximalen Arbeitsradius (C) für verschiedene HSG-Verankerungshöhen (A) und Fallräume an. Die empfohlene Arbeitszone begrenzt sich auf den Bereich innerhalb des maximalen Arbeitsradius.
  - **Gefahren:** Die Verwendung dieser Ausrüstung in Bereichen mit Umweltgefahren kann zusätzliche Sicherheitsmaßnahmen erfordern, um die Verletzungsgefahr und Schäden an der Ausrüstung zu vermeiden. Zu den Gefahren zählen unter anderem, aber ohne Einschränkung: große Hitze, ätzende Chemikalien, korrosive Umgebungen, Hochspannungsleitungen, explosive oder giftige Gase, bewegliche Maschinen oder Material über Kopf, das herunterfallen und den Anwender oder das Absturzschutzsystem treffen kann. Das Arbeiten in Bereichen, in denen sich Ihr Sicherungsseil mit dem eines anderen Arbeiters kreuzen oder verheddern könnte, muss vermieden werden. Vermeiden Sie das Arbeiten in Bereichen, in denen Objekte fallen und die Sicherungsleine treffen können, da dadurch das Gleichgewicht gestört oder das Sicherungsseil beschädigt werden kann. Das Sicherungsseil darf nicht unter die Arme oder zwischen die Beine rutschen.
  - **Scharfe Kanten:** Vermeiden Sie das Arbeiten an Orten, an denen das Sicherungsseil mit ungeschützten scharfen Kanten in Berührung kommen oder sich an solchen abreiben könnte. Wenn Sie an scharfen Kanten arbeiten müssen, muss eine Schutzabdeckung verwendet werden.

## 2.0 EINSATZ

- 2.1 RETTUNGSPLAN:** Wenn Sie diese Ausrüstung verwenden, muss der Arbeitgeber einen Rettungsplan besitzen und die Mittel zu dessen Durchführung müssen zur Verfügung stehen. Außerdem muss der Plan den Benutzern, den berechtigten Personen und den Rettungskräften bekannt sein.

<sup>1</sup> **Tragfähigkeit:** Während CE HSGs eine Maximalkapazität von 140 kg haben, sind HSGs mit Dreiwegrettung für eine maximale Nennhublast von 135 kg ausgelegt.

- 2.2 INSPEKTIONSHÄUFIGKEIT:** HSGs müssen von einer autorisierten Fachkraft<sup>1</sup> oder Rettungskraft<sup>2</sup> vor jedem Einsatz inspiziert werden (siehe Tabelle 2). Das HSG muss darüber hinaus mindestens jährlich von einem Sachkundigen<sup>3</sup> – nicht dem Anwender – inspiziert werden. Extreme Arbeitsbedingungen (raue Umweltbedingungen, längere Verwendung usw.) können häufigere Inspektionen durch einen Sachkundigen erforderlich machen. Die Inspektionsaktivitäten werden im „Inspektions- und Wartungsprotokoll“ (Tabelle 3) beschrieben. Die Ergebnisse jeder Überprüfung durch einen Sachkundigen sollten im „Inspektions- und Wartungsprotokoll“ oder im RFID-System festgehalten werden (siehe Abschnitt 5).
- 2.3 NORMALER BETRIEB:** Im normalen Betrieb kann das Sicherungsseil verzögerungsfrei und ohne Durchhang ausgezogen und wieder eingerollt werden, solange der Arbeiter sich mit normaler Geschwindigkeit bewegt. Im Falle eines Absturzes wird ein geschwindigkeitsmessendes Bremssystem aktiviert, das den Absturz stoppt und einen großen Teil der entstehenden Fallenergie dämpft. Während normaler Arbeitsvorgänge müssen plötzliche oder schnelle Bewegungen vermieden werden, da dadurch eine Arretierung des HSG ausgelöst werden kann. Für Abstürze bei größtenteils ausgerolltem Sicherungsseil ist ein Reservesicherungsseilsystem oder ein Falldämpfer eingebaut, um die Sturzenergie abzdämpfen. Falls das HSG Sturzenergien ausgesetzt wurde, ziehen Sie es aus dem Verkehr, kennzeichnen oder etikettieren Sie es als „UNBRAUCHBAR“, überprüfen und warten Sie es gemäß den Anweisungen in den Abschnitten 5 und 6.
- 2.4 KÖRPERUNTERSTÜTZUNG:** Für das Selbsteinzugsgerät muss ein Auffanggurt verwendet werden. Der Verbindungspunkt des Gurtes muss sich oberhalb des Körperschwerpunktes des Benutzers befinden. Ein Haltegurt ist für die Verwendung mit dem Selbsteinzugsgerät nicht zulässig. Falls es bei der Verwendung eines Haltegurtes zu einem Absturz kommt, kann eine unsachgemäße Körperunterstützung zu einem unbeabsichtigten Öffnen des Gurtes oder einem physischen Trauma führen.
- 2.5 KOMPATIBILITÄT DER KOMPONENTEN:** Sofern nicht anders angegeben, ist die Ausrüstung von 3M nur zur Verwendung mit den von 3M freigegebenen Komponenten und Subsystemen ausgelegt. Ein Austausch durch nicht genehmigte Komponenten oder Teilsysteme kann die Kompatibilität der Ausrüstung aufs Spiel setzen und die Sicherheit und Zuverlässigkeit des kompletten Systems gefährden. Befolgen Sie die Herstelleranweisungen für Komponenten und Subsysteme, die in Ihrem persönlichen Absturzsicherungssystem zum Einsatz kommen.
- 2.6 KOMPATIBILITÄT DER VERBINDUNGSMITTEL:** Verbindungsmittel sind mit Verbindungselementen kompatibel, wenn sie in Größe und Form so konzipiert sind, dass sie zusammenarbeiten, ohne dass sich ihre Verschlussmechanismen versehentlich öffnen, unabhängig davon, wie sie ausgerichtet sind. Kontaktieren Sie 3M, wenn Sie Fragen zur Kompatibilität haben. Die Verbindungselemente, mit denen das HSG befestigt wird, müssen der EN362 entsprechen. Die Verbindungselemente müssen mit der Verankerung oder anderen Systemkomponenten kompatibel sein. Verwenden Sie keine Ausrüstung, die nicht kompatibel ist. Nicht kompatible Anschlüsse können sich versehentlich lösen (siehe Abbildung 4). Die Verbindungselemente müssen in Größe, Form und Belastbarkeit kompatibel sein. Es sind selbstschließende Karabinerhaken erforderlich. Wenn das Verbindungselement, an das der Karabiner angeschlossen wird, zu klein ist oder eine unregelmäßige Form aufweist, kann es dazu kommen, dass das Verbindungselement Druck auf den Verschluss des Karabiners (A) ausübt. Dieser Druck kann dazu führen, dass sich der Verschluss öffnet (B), sodass sich der Karabiner vom Verbinderpunkt (C) löst.
- 2.7 VERBINDUNGSHERSTELLUNG:** Verwenden Sie mit dieser Ausrüstung nur Schnapphaken und Karabiner. Stellen Sie sicher, dass alle Verbindungen bezüglich Größe, Form und Stärke kompatibel sind. Verwenden Sie keine Ausrüstung, die nicht kompatibel ist. Vergewissern Sie sich, dass alle Verbindungselemente vollständig geschlossen und verriegelt sind. Verbindungselemente von 3M (Schnapphaken und Karabiner) dürfen nur wie in der Bedienungsanleitung des jeweiligen Produktes angegeben verwendet werden. Abbildung 5 zeigt Beispiele für falsche Verbindungen. Schnapphaken und Karabiner dürfen nicht wie folgt befestigt werden:
- An einem D-Ring, an dem ein anderes Verbindungsmittel befestigt ist.
  - Auf eine Weise, die den Verschluss belastet. Schnapphaken mit großer Maulöffnung sollten nicht an Auffangösen oder ähnliche Objekte in Standardgröße angeschlossen werden, da der Verschluss sonst belastet wird, wenn der Haken oder die Auffangöse sich drehen, es sei denn, der Karabinerhaken verfügt über einen Verschluss, der einer Belastung von 3.600 lbs (16 kN) standhält. Überprüfen Sie die Markierung auf Ihrem Schnapphaken, um sicherzustellen, dass er die Voraussetzungen für die Anwendung erfüllt.
  - An einem falschen Rasthaken, wenn Teile des Karabinerhakens vorstehen, die sich in der Verankerung verfangen können, und ohne dass visuell geprüft werden kann, ob der Verbindungselement voll in der Verankerung eingerastet ist.
  - Aneinander.
  - Direkt an einem Gurtband, Verbindungsseil oder Zugband (außer es ist laut Anweisungen des Herstellers ausdrücklich erlaubt, die Verbindungsmittel auf diese Weise anzuschließen).
  - An ein Objekt, das eine Größe oder Form aufweist, die das Öffnen oder Schließen des Schnapphakens oder Karabiners verhindern würde, oder die dazu führt, dass sich der Haken löst.
  - Auf eine Weise, in der sich das Verbindungsmittel unter Last nicht richtig ausrichten kann.

**Tabelle 2 – Inspektionsplan**

Art des Einsatzes	Anwendungsbeispiele	Einsatzbedingungen	Inspektionshäufigkeit
			Sachkundiger
Unregelmäßig bis leicht	Rettung und beengte Räume, Fabrikwartung	Gute Lagerungsbedingungen, Einsatz in Innenräumen oder unregelmäßig im Freien, Raumtemperatur, saubere Umgebungen	Jährlich
Moderat bis schwer	Transportwesen, Bau von Wohnhäusern, Versorgungsindustrie, Warenhaus	Ausreichend gute Lagerungsbedingungen, Einsatz in Innenräumen und ausgiebig im Freien, alle Temperaturen, saubere oder staubige Umgebungen	Halbjährlich bis jährlich
Stark bis kontinuierlich	Kommerzielle Bauindustrie, Öl und Gas, Bergbau	Raue Lagerbedingungen, verlängerter oder kontinuierlicher Einsatz im Freien, alle Temperaturen, schmutzige Umgebung	Viertel- bis halbjährlich

- 1 Autorisierte Fachkraft:** Eine Person, die vom Arbeitgeber dazu bestimmt ist, Aufgaben an einem Ort auszuführen, an dem sie einer Absturzgefahr ausgesetzt ist.
- 2 Rettungskraft:** Person oder Personen außer der verunfallten Person, die mithilfe technischer Rettungs- und Bergungsmittel eine Rettungs- bzw. Bergungsaktion vornehmen.
- 3 Sachkundiger:** Eine vom Arbeitgeber bestimmte Person, die für die unmittelbare Beaufsichtigung, Implementierung und Überwachung des verwalteten Absturzsicherungsprogramms des Arbeitgebers verantwortlich ist. Diese Person kann durch Schulung und Wissen bestehende und potentielle Sturzgefahren identifizieren, bewerten und beheben und hat die Genehmigung des Arbeitgebers, sofortige Korrekturmaßnahmen hinsichtlich solcher Gefahren zu ergreifen.

## 3.0 Anbringung

- 3.1 PLANUNG:** Planen Sie den Einsatz des Absturzschutzsystems, bevor Sie mit der Arbeit beginnen. Berücksichtigen Sie alle Faktoren, die Ihre Sicherheit vor, während und nach einem Absturz beeinträchtigen könnten. Beachten Sie alle in diesem Handbuch beschriebenen Anforderungen und Einschränkungen.
- 3.2 VERANKERUNG:** In Abbildung 7 ist ein typischer Anwendungsbereich des Höhensicherungsgeräts (HSG) dargestellt. Die Verankerung (A) muss sich direkt über dem Kopf befinden, um Freifall- und Pendelsturzgefahren minimal zu halten (siehe Abschnitt 2). Wählen Sie einen starren Verankerungspunkt, der den in Abschnitt 2.2 beschriebenen statischen Lasten standhält. Die schwenkbare Öse auf dem HSG ist mit einem Karabiner (B) ausgestattet. Befestigen Sie den Karabiner direkt am Verankerungsbauteil (Baustahl, Winkeleisen usw.), am Anbindungsadapter (C) oder am Anschlaghilfsmittelpunkt (D).
- 3.3 ANSCHLUSS DES AUFFANGGURTS:** Für Absturzschutzanwendungen ist ein Auffanggurt erforderlich. Befestigen Sie den Karabinerhaken (A) des HSG-Sicherungsseils an der hinteren Auffangöse (B) des Auffanggurts. (Siehe Abbildung 8). Sollten Sie die Sicherung zum Emporsteigen einer Leiter verwenden, empfiehlt sich möglicherweise die Befestigung an der vorderen Auffangöse. Zu Einzelheiten bezüglich der Verwendung der Verbindungspunkte des Auffanggurts wenden Sie sich bitte an den Hersteller.
- 3.4 DREIBEINMONTAGE:** Abbildung 9 zeigt die Installation der Sealed-Blok-Selbsteinzugsvorrichtung mit Rettungskurbel an einem DBI-SALA-Dreibein. Das HSG-R wird an einem Fuß des Dreibeins montiert und das Sicherungsseil durch die Umlenkrollen am Kopfteil des Dreibeins geführt:

**1. Befestigen Sie die Schnellmontagehalterung am Fuß des Dreibeins:** Montieren Sie die Schnellmontagehalterung um das obere Rohr des Dreibeinfußes. Positionieren Sie die Schnellmontagehalterung mindestens 30 cm (12 Zoll) über dem Sicherungsstift am Dreibeinfuß und ziehen Sie die Befestigungsschrauben auf 20 Nm (15 ft-lbs) an. Ziehen Sie die Schrauben nicht zu fest an.

*Befestigen Sie die Schnellmontagehalterung niemals am unteren Rohr (Teleskoprohr) des Dreibeinfußes.*

- 2. Befestigen Sie die Montagehalterung des Höhensicherungsgeräts sicher an der Schnellmontagehalterung:** Positionieren Sie die Aussparungen in der Montagehalterung des HSG über den aus der Schnellmontagehalterung herausragenden Stangenenden und drehen Sie das HSG zum Dreibein-Fuß, bis die Löcher in der HSG-Montagehalterung mit den Löchern in der Schnellmontagehalterung geflüchtet sind. Stecken Sie den Montagestift durch die Löcher in der HSG-Montagehalterung und in der Schnellmontagehalterung.
- 3. Führen Sie das HSG-Sicherungsseil über die Überkopf-Umlenkrollen des Dreibeins:** Entfernen Sie hierzu zunächst die zwei Haltestifte von der Kopfteilhalterung. Legen Sie das HSG-Sicherungsseil in die Rillen der zwei Überkopf-Umlenkrollen. Stecken Sie dann die Haltestifte wieder in die Kopfteilhalterung.

## 4.0 BETRIEB

*Erstmalige oder seltene Benutzer von Höhensicherungsgeräten (HSG) sollten vor der Verwendung des HSG die „Sicherheitsinformationen“ am Anfang dieses Handbuchs lesen.*

- 4.1 VOR JEDEM EINSATZ:** Überprüfen Sie die Absturzschutzsicherungsausrüstung vor jedem Einsatz sorgfältig, um sicherzustellen, dass sie sich in einem einwandfreien Arbeitszustand befindet. Prüfen Sie sie auf abgenutzte oder beschädigte Teile. Stellen Sie sicher, dass alle Schrauben vorhanden und gesichert sind. Vergewissern Sie sich, dass sich das Sicherungsseil richtig aufrollt, indem Sie es herausziehen und langsam aufrollen lassen. Wenn der Einzug verzögert einsetzt, sollte die Einheit als „UNBRAUCHBAR“ gekennzeichnet und zur Wartung an ein autorisiertes Servicecenter zurückgeschickt werden. Kontrollieren Sie das Sicherungsseil auf Einschnitte, Ausfransungen, Verbrennungen, Druckstellen und Korrosion. Prüfen Sie die Arretierfunktion durch festes Ziehen am Seil. Detaillierte Hinweise zur Inspektion finden Sie in Abschnitt 5. Verwenden Sie die Ausrüstung nicht, wenn sich diese bei der Inspektion als unsicher herausstellt.
- 4.2 NACH EINEM ABSTURZ:** Alle Ausrüstungsgegenstände, die den Kräften eines aufgefangenen Falls ausgesetzt waren oder Schäden aufweisen, die den Auswirkungen der in Abschnitt 5 beschriebenen Sturzenenergie entsprechen, müssen unverzüglich außer Betrieb genommen, als „UNBRAUCHBAR“ markiert und gemäß den Anweisungen in Abschnitt 5 und 6 überprüft und gewartet werden.
- 4.3 KÖRPERUNTERSTÜTZUNG:** Für Selbsteinzugsvorrichtungen muss ein Auffanggurt verwendet werden. Sichern Sie diesen zur allgemeinen Absturzschutzsicherung an der hinteren Auffangöse. Sollten Sie die Sicherung zum Besteigen einer Leiter verwenden, empfiehlt es sich möglicherweise, die Sicherung an der vorderen Auffangöse zu befestigen. Zu Einzelheiten bezüglich der Verwendung der Verbindungspunkte des Auffanggurts wenden Sie sich bitte an den Hersteller.
- 4.4 HERSTELLEN VON VERBINDUNGEN:** Sollten Sie für die Verbindung einen Haken verwenden, vergewissern Sie sich, dass ein Herausrutschen nicht möglich ist (siehe Abbildung 5). Verwenden Sie keine Haken oder Verbindungselemente, die sich nicht vollständig über dem angehängten Objekt schließen. Verwenden Sie keine nicht verriegelnden Schnapphaken. Die Montagefläche muss die in Abschnitt 2.2 aufgeführten Anforderungen bezüglich der Verankerungsstärke erfüllen. Befolgen Sie die Herstelleranweisungen, die den einzelnen Systemkomponenten beiliegen.
- 4.5 EINSATZ:** Überprüfen Sie das HSG wie in Abschnitt 5.0 beschrieben. Verbinden Sie das HSG mit einer geeigneten Verankerung oder einem geeigneten Anschlaghilfsmittel, wie zuvor beschrieben. Befestigen Sie den am Ende des Sicherungsseils befindlichen selbstschließenden Karabinerhaken an der hinteren Auffangöse des Auffanggurts (siehe Abbildung 8). Prüfen Sie, ob alle Verbindungselemente in Größe, Form und Stärke miteinander kompatibel sind. Vergewissern Sie sich, dass der Haken vollständig geschlossen und verriegelt ist. Sobald der Arbeiter angehängt ist, kann er sich innerhalb des empfohlenen Arbeitsbereichs mit der normalen Geschwindigkeit bewegen. Wenn Sie mit einem SRD arbeiten, lassen Sie das Sicherungsseil stets kontrolliert in das Gerät zurückrollen. Es kann ein Zugseil erforderlich sein, um das Sicherungsseil während des Anschließens und Lösens aus- und einzuziehen. Darüber hinaus kann das Zugseil dazu verwendet werden, ein unkontrolliertes Zurückziehen des Sicherungsseils in das HSG zu verhindern. Je nach Arbeitsumgebung und Arbeitsbedingungen kann es erforderlich sein, das freie Ende des Zugseils zu befestigen, damit es keine Geräte und Maschinen behindert oder sich in diesen verfangt.
- 4.6 AUSWAHL DES RSQ™-ABSTURZSICHERUNGS-/ABSTIEGSMODUS:** DBI-SALA RSQ™ Dual-Mode-Höhensicherungsgeräte sind mit einem RSQ Aktivierungsknopf versehen, mit dem zwischen Absturzschutzsicherungs- und dem Abstiegsmodus gewählt werden kann (siehe Abbildung 10). Wenn der RSQ-Auswahlknopf auf „Absturzschutzsicherung“ gestellt ist, hält das HSG den Absturz auf. Wenn der RSQ-Auswahlknopf auf „Abstieg“ gestellt ist, senkt das HSG den Benutzer bei einem Fall automatisch auf eine niedrigere Ebene ab. So wählen Sie den Absturzschutzsicherungs- oder Abstiegsmodus aus:
- Ziehen Sie den RSQ™-Aktivierungsknopf heraus.
  - Drehen Sie den RSQ™-Aktivierungsknopf so lange, bis der Pfeil auf dem Knopf auf die Einkerbung für den Abstiegsmodus (A) oder den Absturzschutzsicherungsmodus (B) zeigt, woraufhin der RSQ™-Aktivierungsknopf an der Einkerbung einrastet (wie in Abbildung 10 gezeigt).

**RSQ Abstiegsmodus:** Im Abstiegsmodus wird der Benutzer bei einem Fall automatisch auf eine niedrigere Ebene abgesenkt.

**RSQ Absturzschutzmodus:** Wenn sich das Höhensicherungsgerät im Absturzschutzmodus befindet, wird der Absturz automatisch aufgehalten und der Benutzer bleibt am Seil hängen. Der Abstiegsmodus wird über einen RSQ™-Aktivierungsknopfzugring oder ein als Sonderzubehör erhältliches Lösewerkzeug für den Verlängerungsmast (siehe Abbildung 11) aktiviert:

- **Zugring am Aktivierungsknopf:** In Abbildung 11 ist die Verwendung des Zugrings für den Aktivierungsknopf dargestellt. Um den Absturzschutzmodus auszuschalten und den Abstieg zu beginnen, greifen Sie den Zugring und ziehen Sie den Aktivierungsknopf gerade heraus (A). Zum Beenden des Abstiegs lösen Sie den Zugring und schalten Sie so erneut den Absturzschutzmodus ein (B). Um den Abstiegsmodus vollständig zu aktivieren, so dass der Abstieg ohne Ziehen des Zugrings fortgesetzt werden kann, drehen Sie den Aktivierungsknopf so lange gegen den Uhrzeigersinn (C), bis der Pfeil auf dem Knopf auf die Einkerbung für den Abstieg zeigt (siehe Abbildung 10).

*0,36 kN bis 0,45 kN (80 lbs bis 100 lbs) Zugkraft sind erforderlich, um den RSQ™-Aktivierungsknopf aus dem Absturzschutzmodus zu lösen.*

- **Lösewerkzeug für den Verlängerungsmast:** Setzen Sie das Lösewerkzeug für den Verlängerungsmast aus einer beliebigen Richtung an, so dass die Enden der Gabel den Sockel des RSQ™-Aktivierungsknopfes unter der gerändelten Verstärkung und dem Zugring umschließen (siehe Abbildung 11D). Zum Deaktivieren des Absturzschutzmodus und Starten des Abstiegs schieben Sie den Verlängerungsschaft so lange nach vorn, bis der RSQ™-Aktivierungsknopf vollständig in der Lösegabel sitzt. Der Abstieg wird so lange fortgesetzt, wie die Lösegabel vollständig zwischen dem RSQ™-Aktivierungsknopf und dem Gehäuse sitzt. Das Entfernen der Lösegabel kann dazu führen, dass der Absturzschutzmodus erneut eingeschaltet wird.

*Die Gabel am Lösewerkzeug läuft konisch zu, damit der RSQ™-Aktivierungsknopf gerade herausgedrückt werden kann, sobald die Gabel am Knopf nach vorne geschoben wird. Es ist nicht erforderlich den Knopf mit dem Verlängerungsschaft aufzustemmen. Durch Aufstemmen kann der Knopf abbrechen.*

*Sealed-Blok RSQ Höhensicherungsgeräte sind nur als Absturzschutz und für den Abstieg im Notfall bestimmt und sollten nur für einen vertikalen Abstieg verwendet werden. Wenn das Höhensicherungsgerät für den Abstieg verwendet wurde, nehmen Sie es umgehend außer Betrieb und senden Sie es zur Reparatur an ein autorisiertes Servicecenter.*

**4.7 BERGUNGSEINSATZ:** Abbildung 12 zeigt den Betrieb einer integrierten Rettungskurbel auf dem Sealed-Blok-Rettungs-HSG-R. Unternehmen Sie keinen Rettungsversuch bei voll eingezogenem Sicherungsseil. Aktivierung des Bergungsmodus und Verwendung der Rettungskurbel:

1. Lösen Sie die Arretierungsschraube, um die Kurbel freizugeben.
2. Drehen Sie den Bergungsgriff vom Körper des HSG um 90° nach oben.
3. Ziehen Sie am Schiebeknopf und halten Sie ihn in der geöffneten Position.
4. Schieben Sie die Kurbel in die Einrastposition und lassen Sie den Schiebeknopf los. Bei Bedarf kann die Kurbel etwas nach rechts gedreht werden, um das Einrasten zu unterstützen.
5. Heben und senken Sie das Sicherungsseil wie in Abbildung 12 gezeigt:
  - A. Zum Anheben: Drehen Sie die Kurbel im Uhrzeigersinn.
  - B. Zum Absenken: Drehen Sie die Kurbel gegen den Uhrzeigersinn. Nach einer Absturzschutzsicherung drehen Sie die Kurbel zuerst etwas im Uhrzeigersinn, um die Absturzschutzbremse zu lösen, und dann gegen den Uhrzeigersinn.

*Die integrierte Rettungskurbel auf 3-Wege HSG-R-Modellen für die Notfallrettung dient nur zu Rettungszwecken und darf nicht für die Arbeitspositionierung oder zum Anheben oder Absenken von Material verwendet werden.*

*Die DBI-SALA-HSG-Rs enthalten keine Überlastungskupplung zur Begrenzung der auf die Antriebskomponenten und die gesicherte Person wirkenden Kräfte. Im Bergungsmodus muss jeglicher Seildurchhang vermieden werden. Außerdem muss die Person während der Bergung überwacht werden, um sicherzustellen, dass sie im Fall eines Hängenbleibens oder Hindernisses nicht weiter angehoben und damit verbundenen Kräfteinwirkungen ausgesetzt wird.*

*Eine Mindestlast von 33,9 kg (75 lbs) ist erforderlich, um das Sicherungsseil absenken bzw. ablassen zu können. Zum Betrieb des Bergungssystems bei voller Lastkapazität ist eine Kraft von 0,13 kN (30 lbs) erforderlich.*

*Drehen Sie nicht mehr weiter, wenn das Sicherungsseil vollständig ausgerollt oder eingezogen ist. Ein fortgesetztes Drehen kann die Komponenten beschädigen.*

**4.8 DEAKTIVIERUNG DES BERGUNGSMODUS:** Zur Deaktivierung des Bergungsmodus:

*Beim Deaktivieren des Bergungsmodus wird ggf. abgelassenes Sicherungsseil in das HSG eingezogen. Zur Vermeidung von Verletzungen sollte das Sicherungsseil deshalb vor der Deaktivierung eingezogen oder während der Deaktivierung gehalten werden.*

1. Entfernen Sie jegliche Last vom Sicherungsseil.
2. Ziehen Sie am Schiebeknopf und halten Sie ihn in der geöffneten Position.
3. Ziehen Sie die Kurbel aus der eingerasteten Position heraus und lassen Sie dann den Schiebeknopf los.
4. Ziehen Sie den Bergungsgriff heraus und drehen Sie ihn nach unten zum Körper des HSG in die verstaute Position.

## 5.0 Inspektion

- 5.1 RFID-ETIKETT:** Die Selbsteinzugsvorrichtung umfasst ein RFID (Radio Frequency Identification)-Tag (siehe Abbildung 13). Das RFID-Tag kann zusammen mit dem tragbaren Lesegerät und dem Webportal zur leichteren Inspektion und Bestandskontrolle verwendet werden und um Aufzeichnungen über Ihre Absturzsicherungsausrüstung zu führen. Weitere Einzelheiten erfahren Sie von ihrem 3M Kundendienstmitarbeiter (siehe Rückseite). Befolgen Sie die mit dem tragbaren Lesegerät gelieferten oder über das Webportal verfügbaren Anweisungen, um Ihre Daten auf Ihr Webprotokoll zu übertragen.
- 5.2 INSPEKTIONSHÄUFIGKEIT:** Die Sealed-Blok-Selbsteinzugsvorrichtung muss gemäß den im *Abschnitt 2 (Inspektionshäufigkeit)* genannten Intervallen überprüft werden. Die Inspektionsaktivitäten werden im *„Inspektions- und Wartungsprotokoll“ (Tabelle 3)* beschrieben.

*Extreme Arbeitsbedingungen (raue Umweltbedingungen, andauernde Verwendung usw.) können eine häufigere Überprüfung erforderlich machen.*

- 5.3 GEFAHREN ODER MÄNGELZUSTÄNDE:** Wenn bei der Inspektion ein Mangel erkannt wird, der die Sicherheit beeinträchtigt, nehmen Sie die Selbsteinzugsvorrichtung umgehend außer Betrieb, markieren Sie sie als „UNBRAUCHBAR“ und lassen Sie eine Inspektion durch einen Sachkundigen durchführen, um weitere Wartungsoptionen zu ermitteln.

*Nur 3M oder Dritte, die hierzu schriftlich autorisiert sind, dürfen Reparaturen an dieser Ausrüstung vornehmen, mit Ausnahme des Ersatzes von FAST-Line-Sicherungsseilen.*

- 5.4 PRODUKTLEBENSDAUER:** Die Lebensdauer der Selbsteinzugsvorrichtung von DBI-SALA hängt von den Arbeitsbedingungen und der Wartung ab. Solange das Produkt die Inspektionskriterien erfüllt, kann es in Betrieb bleiben.

## 6.0 WARTUNG, SERVICE und LAGERUNG

- 6.1 REINIGUNG:** Die Reinigung der Selbsteinzugsvorrichtung sollte wie folgt durchgeführt werden:


- Reinigen Sie das Äußere des HSG regelmäßig mit Wasser und einer milden Seifenlösung. Positionieren Sie das SRD so, dass überschüssiges Wasser ablaufen kann. Reinigen Sie die Aufkleber bei Bedarf.
- Reinigen Sie das Sicherungsseil mit Wasser und einer milden Seifenlösung. Ausspülen und gründlich an der Luft trocknen lassen. Trocknen Sie das Gerät nicht durch Erhitzen. Übermäßige Ablagerungen von Schmutz, Farbe usw. können verhindern, dass das Sicherungsseil vollständig in das Gehäuse eingezogen wird, mit der Gefahr eines möglichen freien Absturzes. Ersetzen Sie das Sicherungsseil bei übermäßigen Ablagerungen.

- 6.2 WARTUNG:** FAST-Line-Sicherungsseile können von einem Sachkundigen vor Ort ersetzt werden<sup>1</sup>. Das erforderliche Austauschset für das FAST-Line-Sicherungsseil ist in Abbildung 1 gezeigt. Installieren Sie das Sicherungsseil gemäß den Anweisungen im Servicehandbuch (5903076), das dem FAST-Line-Set beigelegt ist. Lassen Sie stets eine vollständige Inspektion durch einen Sachkundigen durchführen, nachdem das FAST-Line Sicherungsseil ersetzt wurde. Zusätzliche Servicemaßnahmen, der der Sachkundigen aufgrund einer Inspektion bestimmt, müssen von einem autorisierten Servicecenter durchgeführt werden. Versuchen Sie niemals, das HSG zu zerlegen oder Teile davon zu schmieren.

- 6.3 LAGERUNG UND TRANSPORT:** Transportieren und lagern Sie die Selbsteinzugsvorrichtung in einer kühlen, trockenen, sauberen Umgebung, in der sie vor direkter Sonneneinstrahlung geschützt ist. Setzen Sie das Produkt keinen chemischen Dämpfen aus. Kontrollieren Sie das SRD nach jeder längeren Lagerung.

## 7.0 Etiketten

In Abbildung 20 sind die Produktetiketten und deren Lage an den Sealed-Blok-Höhensicherungsgeräten gezeigt. Alle Etiketten müssen am HSG vorhanden sein. Die Etiketten müssen ersetzt werden, wenn sie nicht vollständig lesbar sind. Folgende Angaben sind auf jedem Etikett enthalten:

	Lesen Sie alle Anweisungen.
(A)	Länge des Sicherungsseils (Maximale Hebehöhe)
(B) (C)	1) Absturzsicherungsverbindung für HSG korrigieren. 2) Anwendungstemperaturbereich: -40 °C bis +60 °C. 3.1) Das HSG immer über Kopf verankern. 3.2) Verankern Sie das HSG niemals unterhalb der Höhe des hinteren Gurtanschlusspunkts. 4) Maximale Tragkraft: 140 kg (B)/135 kg (C). 5) Karabinerhaken und Sturzindikator inspizieren. 6) Arretierfunktion des HSG inspizieren. Sie sollten ein Klicken hören, wenn das HSG einrastet. 7) HSG nicht über einer Kante belasten. 8) Sturzindikator des Karabinerhakens inspizieren. Wenn ein Absturz angezeigt wird, darf das HSG nicht verwendet werden. 9) Sicherungsseil beim Zurückziehen in das HSG kontrollieren. 10) Pendelsturzgefahr. Der Winkel des Sicherungsseils sollte nahezu senkrecht sein. 11.1) Darf nicht kundenseitig repariert werden. 11.2) Alle Kundendienst- und Reparaturarbeiten dürfen nur von einer von 3M autorisierten Person durchgeführt werden. 12) Lagern Sie das HSG an einem kühlen, trockenen, sauberen und vor direkter Sonneneinstrahlung geschützten Ort. 13) Nicht verwenden, wenn das Band des Reserve-Sicherungsseils freiliegt. 14) Etiketten nicht entfernen. Die Etiketten müssen vorhanden und vollständig lesbar sein. 15) Maximale Abstiegshöhe 16) Verbindungspunkt für sekundäre Verankerung im Falle von heruntergefallenen Objekten 17) Herstellungsmonat und -jahr/Chargennummer und Modellnummer 18) Länge des Sicherungsseils (Maximale Hebehöhe). 19) Lesen Sie das FAST-Line Servicehandbuch (5903076). 20) Bergungseinsatz: (A) Lösen Sie die Arretierungsschraube. (B) Drehen Sie den Bergungsgriff nach oben. (C) Ziehen Sie den Schiebeknopf heraus und halten Sie ihn in dieser Position. (D) Schieben Sie die Kurbel in die Einrastposition und lassen Sie den Schiebeknopf los. Bei Bedarf kann die Kurbel etwas nach rechts gedreht werden, um das Einrasten zu unterstützen. Zum Anheben drehen Sie die Kurbel gegen den Uhrzeigersinn. Zum Absenken drehen Sie die Kurbel im Uhrzeigersinn. (E) Lassen Sie den Schiebeknopf los, um die Kurbel wieder zu verriegeln.
(D)	Dieses Produkt kann mit Radiofrequenzkennzeichnung (Radio Frequency Identification - RFID) betrieben werden. Es enthält ein elektronisches Schild, das von kompatiblen Lesegeräten ausgelesen werden kann, und bietet so Inspektionsprotokolle, Bestandsmanagement und weitere Sicherheitsinformationen.
(E) (F)	A) Seriennummer B) Modellnummer C) Herstellungsdatum D) Chargennummer E) Servicedaten
(G)	Zum Absenken: Drehen Sie den Kurbelarm zuerst etwas gegen den Uhrzeigersinn, um die Absturzsicherungsbremse zu lösen, und drehen Sie dann den Kurbelarm im Uhrzeigersinn. Zum Anheben: Drehen Sie die Kurbel gegen den Uhrzeigersinn. Maximale Hublast: 135 kg
(H) (I)	Ziehen Sie den RSQ-Aktivierungsknopf heraus und drehen Sie ihn, bis der Pfeil auf den gewählten Modus zeigt: (D) Abstieg, (E) Absturzsicherung

**1 Sachkundiger:** Eine vom Arbeitgeber bestimmte Person, die für die unmittelbare Beaufsichtigung, Durchführung und Überwachung des vom Arbeitgeber betriebenen Absturzsicherungsprogramms verantwortlich ist. Diese Person kann aufgrund ihrer Schulung und Kenntnisse ggf. vorhandene und potentielle Absturzgefahren erkennen, bewerten und beheben und hat die Genehmigung des Arbeitgebers, bei solchen Gefahren sofortige Korrekturmaßnahmen zu ergreifen.

**Tabelle 3 – Prüf- und Wartungsprotokoll**

<b>Seriennummer(n):</b>		<b>Kaufdatum:</b>	
<b>Modellnummer:</b>		<b>Datum des ersten Einsatzes:</b>	
<b>Kontrolliert von:</b>		<b>Inspektionsdatum:</b>	
<b>Bauteil:</b>	<b>Inspektion:</b>	<b>Vor jedem Einsatz</b>	<b>Sachkundiger</b>
HSG (Abbildung 14)	Kontrollieren Sie auf lockere Schrauben sowie verbogene und beschädigte Teile.	<input type="checkbox"/>	<input type="checkbox"/>
	Überprüfen Sie das Gehäuse (A) auf Verformung, Risse oder sonstige Schäden.	<input type="checkbox"/>	<input type="checkbox"/>
	Überprüfen Sie die Drehöse (B) auf Verformung, Risse oder sonstige Schäden. Die Drehöse muss sicher mit dem HSG verbunden sein, sich aber frei drehen können.	<input type="checkbox"/>	<input type="checkbox"/>
	Das Sicherungsseil (C) muss ohne Verzögerung und Durchhängen vollständig aus- und eingezogen werden können.	<input type="checkbox"/>	<input type="checkbox"/>
	Stellen Sie sicher, dass das Gerät arretiert, wenn am Sicherungsseil heftig gezogen wird. Das Sperren sollte unmittelbar und ohne Rutschen erfolgen. HINWEIS: Höhensicherungsgeräte mit RSQ müssen sich für diesen Test im Absturzschutzmodus befinden (siehe Abbildung 8).	<input type="checkbox"/>	<input type="checkbox"/>
	Die Etiketten müssen vorhanden und vollständig lesbar sein (siehe „Etiketten“).	<input type="checkbox"/>	<input type="checkbox"/>
	Suchen Sie die gesamte Einheit nach Anzeichen für Korrosion ab.	<input type="checkbox"/>	<input type="checkbox"/>
Karabinerhaken und Sturzindikator (Abbildung 15)	Überprüfen Sie den drehbaren Karabinerhaken (E) auf Anzeichen von Beschädigungen, Korrosion und auf seine ordnungsgemäße Funktion. Das Drehlager muss frei drehbar sein. Überprüfen Sie die Beanspruchungsanzeige. Wenn das rote Band sichtbar ist (Anzeigemodus), ist eine entsprechende Beanspruchung aufgetreten und das HSG muss außer Betrieb gestellt und inspiziert werden. Versuchen Sie nicht, die Beanspruchungsanzeige zurückzusetzen. Bringen Sie das HSG zum Zurücksetzen zu einem autorisierten Servicecenter. HINWEIS: Die Drehöse dreht sich nicht unbehindert, wenn sich der Sturzindikator im Anzeigemodus befindet.	<input type="checkbox"/>	<input type="checkbox"/>
	<input checked="" type="checkbox"/> <b>FAST-Line bedeutet LEBENSDAUER:</b> Wenn das rote Band auf dem Sturzindikator des drehbaren Karabinerhakens sichtbar ist (angezeigter Modus), wenden Sie sich zur Wartung durch ein autorisiertes Servicecenter an 3M oder ersetzen Sie das FAST-Line Sicherungsseil gemäß den Anweisungen im „Servicehandbuch für das FAST-Line Sicherungsseil-Austauschset (5903076)“ und lassen Sie die Inspektion durch einen Sachkundigen vornehmen.		<input type="checkbox"/>
FAST-Line Drahtsicherungsseil (Abbildung 16)	Überprüfen Sie die Drahtseile auf Schnitt- oder Knickstellen, gebrochene oder aufgespreizte Drähte, Schweißspritzer, Korrosion, Bereiche mit Chemikalienberührung oder schwerem Abrieb. Schieben Sie den Kabelabweiser nach oben und kontrollieren Sie die Endhülsen auf Risse oder sonstige Beschädigungen und kontrollieren Sie das Drahtseil auf Korrosion und gebrochene Drähte. Ersetzen Sie die Stahlseil-Baugruppe, wenn sich sechs oder mehr zufällig verteilte gebrochene Drähte in einer Lage befinden oder wenn sich drei oder mehr gebrochene Drähte in einem Strang in einer Lage befinden. Eine „Lage“ eines Stahlseils ist die Länge des Stahlseils, die ein Strang (die nächstgrößere Drahtgruppe) für einen Umlauf oder eine Windung des Seils benötigt. Ersetzen Sie die Drahtseil-Baugruppe, wenn sich gebrochene Drähte innerhalb eines Abstands von 25 mm (1 Zoll) zu den Endhülsen befinden.	<input type="checkbox"/>	<input type="checkbox"/>
	<input checked="" type="checkbox"/> <b>FAST-Line bedeutet LEBENSDAUER:</b> Wenn die Inspektion im vorigen Schritt ergibt, dass das Sicherungsseil ausgetauscht werden muss, wenden Sie sich für die Wartung durch ein autorisiertes Servicecenter an 3M oder ersetzen Sie das FAST-Line Sicherungsseil gemäß den Anweisungen im „Servicehandbuch des FAST-Line Sicherungsseil-Austauschsets (5903076)“ und lassen Sie die Inspektion durch einen Sachkundigen vornehmen.		<input type="checkbox"/>
Reservesicherungsseil (Abbildung 17)	Prüfen Sie Abwickelvorrichtung des Reservesicherungsseils. Wenn ein Absturz aufgefangen wurde, während das Sicherungsseil größtenteils ausgerollt war, ist es möglich, dass das Reservesicherungsseil aktiviert wurde. Ziehen Sie das Sicherungsseil bis zum Anschlag aus dem HSG. Wenn die Stoptaste (A) herausgezogen wird und sichtbar ist, ist das Reservesicherungsseil verbraucht und das Sicherungsseil sollte ersetzt werden.	<input type="checkbox"/>	<input type="checkbox"/>
	<input checked="" type="checkbox"/> <b>FAST-Line bedeutet LEBENSDAUER:</b> Wenn die Inspektion im vorigen Schritt ergibt, dass das Sicherungsseil ausgetauscht werden muss, wenden Sie sich für die Wartung durch ein autorisiertes Servicecenter an 3M oder ersetzen Sie das FAST-Line Sicherungsseil gemäß den Anweisungen im „Servicehandbuch des FAST-Line Sicherungsseil-Austauschsets (5903076)“ und lassen Sie die Inspektion durch einen Sachkundigen vornehmen.		<input type="checkbox"/>
Bauteile des RSQ (Abbildung 18)	Die Bauteile des RSQ™ sollten vor jedem Einsatz per Hand einem Zugtest unterzogen werden: 1. Stellen Sie den RSQ-Aktivierungsknopf in die Abstiegsposition (Diagramm 4). 2. Nehmen Sie das Sicherungsseil und ziehen Sie fest daran, um den Abstiegsmechanismus zu aktivieren. 3. Ziehen Sie gleichmäßig weiter, bis ca. 1 m (3 Fuß) Seil herausgezogen ist. Beim Herausziehen des Kabels sollte ein gleichbleibender Widerstand zu spüren sein.	<input type="checkbox"/>	<input type="checkbox"/>
Integrierte Rettungskurbel für die Bergung (Abbildung 19)	Überprüfen Sie die Rettungskurbel (A) auf Verformung oder sonstige Schäden. Stellen Sie sicher, dass der Bergungsgriff (B) nach außen gedreht und in der Kurbelposition gesichert werden kann.	<input type="checkbox"/>	<input type="checkbox"/>
	Stellen Sie sicher, dass der Schiebeknopf (C) in die offene Position herausgezogen und dann losgelassen werden kann, damit die Kurbel sowohl in der eingerasteten als auch in der nicht eingerasteten Position arretiert werden kann.	<input type="checkbox"/>	<input type="checkbox"/>
	Prüfen Sie den Bergungsmodus auf korrekte Funktion, indem Sie eine Prüflast von mindestens 34 kg (75 lbs) heben und senken. Wenn der Bergungsgriff freigegeben wird, sollte das Gewicht sich nicht bewegen und der Bergungsgriff in seiner Position (unbeweglich) bleiben. Beim Heben der Last sollte ein Klickgeräusch zu hören sein.	<input type="checkbox"/>	<input type="checkbox"/>
<b>Korrekturmaßnahme/Wartung:</b>		Genehmigt von:	
		Datum:	
<b>Korrekturmaßnahme/Wartung:</b>		Genehmigt von:	
		Datum:	
<b>Korrekturmaßnahme/Wartung:</b>		Genehmigt von:	
		Datum:	
<b>Korrekturmaßnahme/Wartung:</b>		Genehmigt von:	
		Datum:	
<b>Korrekturmaßnahme/Wartung:</b>		Genehmigt von:	
		Datum:	
<b>Korrekturmaßnahme/Wartung:</b>		Genehmigt von:	
		Datum:	

**Lea, comprenda y cumpla con todo lo dispuesto en la información de seguridad contenida en estas instrucciones antes de utilizar este dispositivo autorretráctil (SRD). SI NO LO HACE, PUEDE SUFRIR GRAVES LESIONES O LA MUERTE.**

**Estas instrucciones deben entregarse al usuario de este equipo. Conserve las instrucciones para futuras consultas.**

## Uso previsto:

Este dispositivo autorretráctil está pensado para ser utilizado como parte de un sistema completo de protección contra caídas.

El empleo en cualquier otra aplicación, entre otras, la manipulación de material, actividades relacionadas de recreo o deportivas, u otras actividades no descritas en las instrucciones del usuario, no está aprobado por 3M y podría provocar lesiones graves o la muerte.

Este dispositivo solo deben usarlo usuarios formados en su utilización en aplicaciones dentro del lugar de trabajo.

## ! ADVERTENCIA

Este dispositivo autorretráctil es parte de un sistema de protección contra caídas. Se espera que todos los usuarios se hayan formado completamente en la instalación y el uso seguros de su sistema de protección contra caídas. **El uso indebido de este dispositivo podría ocasionar lesiones graves o la muerte.** Para una adecuada selección, uso, instalación mantenimiento y servicio, consulte estas instrucciones para el usuario, incluyendo todas las recomendaciones del fabricante, contacte con su supervisor o con los servicios técnicos de 3M.

- **Para reducir los riesgos asociados con trabajar con un SRD que, si no se evitan, pueden provocar lesiones graves o la muerte:**
  - Antes de cada uso, inspeccione el SRD y compruebe si tiene el bloqueo y retracción adecuados.
  - Si la inspección revela una situación poco segura o algún defecto, retire el dispositivo del servicio, repárelo o reemplácelo, según se indique en estas instrucciones.
  - Si el SRD ha sido sometido a detención de caídas o a una fuerza de impacto, retire inmediatamente el SRD del servicio y etiquételo como "INUTILIZABLE".
  - Asegúrese de que el anticaídas se mantiene libre de cualquier obstrucción, incluyendo, pero sin limitarse a: enredos con equipos o maquinaria en movimiento (por ejemplo, mecanismos de activación superiores de plataformas petrolíferas), otros trabajadores, usted mismo, objetos que lo rodean, o el impacto de objetos que se encuentren por encima de usted y que podrían caer sobre el anticaídas o el trabajador.
  - Nunca permita que exista holgura en el anticaídas. No ate ni anude el cabo anticaídas.
  - Fije el ramal o ramales no utilizados del SRD montados en el arnés a la o las fijaciones de uso del arnés, si se proporcionan.
  - No usar en aplicaciones que tienen un trayecto de caída obstruido. Trabajar en material de desplazamiento lento, como arena o grano, puede que no permita que el trabajador alcance la velocidad suficiente como para provocar el bloqueo del SRD. Es necesario un trayecto sin obstáculos para garantizar un bloqueo correcto del SRD.
  - Evitar movimientos bruscos o rápidos durante el funcionamiento de trabajo normal. Esto puede hacer que el dispositivo se bloquee.
  - Asegúrese de que los sistemas/subsistemas de protección contra caídas conectados con componentes hechos por distintos fabricantes son compatibles y cumplen los requisitos de las normas aplicables, incluyendo los ANSI Z359 u otros códigos, normas o requisitos de protección contra caídas aplicables. Consulte siempre con personal cualificado/competente antes de usar estos sistemas.
- **Para reducir los peligros asociados con el trabajo en altura que, si no se evitan, pueden provocar lesiones graves o la muerte:**
  - Asegúrese de que su salud y condición física le permiten resistir con seguridad todas las fuerzas asociadas con el trabajo en altura. Consulte con su médico si tiene alguna pregunta con respecto a su capacidad para utilizar este equipo.
  - Nunca exceda la capacidad de carga de su equipo de protección contra caídas.
  - Nunca exceda la distancia máxima de caída libre de su equipo de protección contra caídas.
  - No utilice ningún equipo de protección contra caídas que haya fallado antes de usarse o no haya pasado otras inspecciones programadas, o si tiene dudas sobre el uso o la idoneidad del equipo para su aplicación. Póngase en contacto con los servicios técnicos de 3M si tiene cualquier pregunta.
  - Algunas combinaciones de subsistemas y componentes pueden perjudicar el funcionamiento del equipo. Use solo conectores compatibles. Consulte con 3M antes de emplear este equipo con componentes o subsistemas distintos de los descritos en las instrucciones para el usuario.
  - Extreme la precaución cuando se encuentre alrededor de maquinaria en movimiento (p. ej., mecanismos de activación superiores de plataformas petrolíferas), cuando existan riesgos eléctricos, temperaturas extremas, peligros químicos, gases explosivos o tóxicos, bordes afilados o materiales que se encuentren por encima de usted y que podrían caer sobre usted o sobre el equipo de protección contra caídas.
  - Use dispositivos para trabajos en caliente o arco eléctrico cuando trabaje en ambientes a altas temperaturas.
  - Evite superficies y objetos que puedan dañar al usuario o al equipo.
  - Asegúrese de que haya una distancia de caída adecuada cuando trabaje en altura.
  - Nunca modifique o altere su equipo de protección contra caídas. Sólo 3M o las partes autorizadas por escrito por 3M pueden reparar el equipo.
  - Antes de usar el equipo de protección contra caídas, asegúrese de que existe un plan de rescate que permita un rápido rescate si se produce un incidente de caída.
  - Si hubiese un incidente de caída, busque atención médica inmediatamente para el trabajador que se haya caído.
  - No utilice un cinturón corporal para las aplicaciones de detención de caídas. Use sólo un arnés de cuerpo completo.
  - Trabaje en un lugar situado lo más directamente posible por debajo del punto de anclaje para minimizar la posibilidad de caídas con balanceo.
  - Si se está formando con este dispositivo, se debe utilizar un sistema de protección contra caídas secundario de manera que no exponga al aprendiz a un riesgo de caída involuntaria.
  - Lleve siempre el equipo de protección individual apropiado cuando instale, use o inspeccione el dispositivo/sistema.



Antes de utilizar este equipo, registre la información de identificación del producto indicada en la etiqueta de identificación en el "Registro de inspección y mantenimiento" al final de este manual.

## DESCRIPCIÓN:


La Figura 2 identifica los componentes clave de los dispositivos autorretráctiles (Self-Retracting Devices, SRD) DBI-SALA Sealed-Blok. Los SRD Sealed-Blok son anticaídas de cable metálico que giran sobre tambor (A) y se recogen en una carcasa de aluminio sellada (B). Pueden colgar de un anclaje mediante un mosquetón fijado mediante un cáncamo giratorio (C) en la parte superior del SRD. El mosquetón con cierre automático autobloqueante (D) del extremo del anticaídas se engancha a la conexión designada de detención de caídas de un arnés de cuerpo completo. Un tope (E) protege contra la abrasión y la corrosión el cable de metal y los casquillos que fijan el mosquetón con cierre automático.

La Figura 1 define los modelos de SRD Sealed-Blok cubiertos por este manual de instrucciones. Existen los siguientes tipos de SRD disponibles:

- **Eslinga autorretráctil (Figura 2A):** Las eslingas autorretráctiles (Self-Retracting Lanyards, SRL) están indicadas para aplicaciones en las que el anticaídas se mantiene, por lo general, en vertical durante el uso, y donde la posible caída libre se limita a 0,6 m (2 pies).
- **Eslinga autorretráctil con rescate:** Las eslingas autorretráctiles con rescate incluyen medios integrados para facilitar un rescate asistido mediante la subida o la bajada de la persona rescatada. Los RSRL están equipados con una manivela manual de recuperación de emergencia de 3 posiciones (Figura 2B). Los SRL-RSQ están equipados con una perilla de descenso/rescate RSQ (Figura 2C). Algunos modelos de rescate están equipados con ambos componentes de rescate (Figura 2D). Algunos modelos incluyen un soporte de montaje de trípode para montar la SRL en la pata de un trípode para su uso en aplicaciones en espacios confinados.

**Tabla 2: Especificaciones**

Ya no es necesario que los propietarios de los FAST-Line Sealed Blok SRL con una fecha de fabricación posterior al 4 de enero de 2015 devuelvan sus Fast-Line SRL a Capital Safety para la rectificación en caso de una caída o si el indicador de impacto indica que es necesario sustituir el gancho. Simplemente reemplace el cable y el gancho a través de FAST-Line de acuerdo con el Manual de servicio de FAST-Line (5903076) y complete la inspección de la persona competente.

 Fast-Line	Descripción del anticaídas	Gancho
3401403	15 m (50 pies) de cable galvanizado de 4,76 mm (3/16 pulgadas) y mosquetón giratorio blindado con autobloqueo con indicador.	2000126
3401714	15 m (50 pies) de cable de acero inoxidable de 4,76 mm (3/16 pulgadas) y argolla giratoria de acero inoxidable con indicador	2100127
3900105	15 m (50 pies) de cable galvanizado de 4,76 mm (3/16 pulgadas) y gancho de seguridad giratorio blindado con autobloqueo con indicador.	2000180
3900106	15 m (50 pies) de cable de acero inoxidable de 4,76 mm (3/16 pulgadas) y gancho de seguridad giratorio blindado con autobloqueo con indicador.	2000180
3900107	15 m (50 pies) de cable de acero inoxidable de 4,76 mm (3/16 pulgadas) y gancho de seguridad giratorio de acero inoxidable con autobloqueo con indicador.	2000181
3900108	26 m (85 pies) de cable galvanizado de 4,76 mm (3/16 pulgadas) y gancho de seguridad giratorio blindado con autobloqueo con indicador.	2000180
3900109	26 m (85 pies) de cable de acero inoxidable de 4,76 mm (3/16 pulgadas) y gancho de seguridad giratorio blindado con autobloqueo con indicador.	2000180
3900111	26 m (85 pies) de cable de acero inoxidable de 4,76 mm (3/16 pulgadas) y gancho de seguridad giratorio de acero inoxidable con autobloqueo con indicador.	2000181
3900124	26 m (85 pies) de cable de acero inoxidable de 4,76 mm (3/16 pulgadas) y argolla giratoria de acero inoxidable con indicador	2100127
3900112	40 m (130 pies) de cable galvanizado de 4,76 mm (3/16 pulgadas) y gancho de seguridad giratorio blindado con autobloqueo con indicador.	2000180
3900113	40 m (130 pies) de cable de acero inoxidable de 4,76 mm (3/16 pulgadas) y gancho de seguridad giratorio blindado con autobloqueo con indicador.	2000180
3900114	40 m (130 pies) de cable de acero inoxidable de 4,76 mm (3/16 pulgadas) y gancho de seguridad giratorio de acero inoxidable con autobloqueo con indicador.	2000181
3900168	53 m (175 pies) de cable galvanizado de 4,76 mm (3/16 pulgadas) y gancho de seguridad giratorio blindado con autobloqueo con indicador.	2000180
3900169	53 m (175 pies) de cable de acero inoxidable de 4,76 mm (3/16 pulgadas) y gancho de seguridad giratorio blindado con autobloqueo con indicador.	2000180
3900170	53 m (175 pies) de cable de acero inoxidable de 4,76 mm (3/16 pulgadas) y gancho de seguridad giratorio de acero inoxidable con autobloqueo con indicador.	2000181

Gancho	Descripción	Material	Fuerza del mecanismo de apertura	Tamaño de apertura
2000126	Mosquetón con cierre giratorio autobloqueante con indicador de impacto	Aleación de acero	16 kN (3600 libras)	1,9 m (3/4 pulgadas)
2000180	Mosquetón con cierre automático giratorio autobloqueante con indicador de impacto	Aleación de acero	16 kN (3600 libras)	1,9 m (3/4 pulgadas)
2000181	Mosquetón con cierre automático giratorio autobloqueante con indicador de impacto	Acero inoxidable	16 kN (3600 libras)	1,9 m (3/4 pulgadas)
2100127	Argolla giratoria con indicador de impacto	Acero inoxidable	—	Diámetro de 2,5 cm (1 pulgadas)

<b>Carcasa:</b>	Carcasa de aluminio sellada
<b>Carga de rotura del cable metálico anticaídas:</b>	Acero galvanizado - Carga de rotura mín. 18,7 kN (4200 libras) Acero inoxidable - Carga de rotura mín. 16,0 kN (3600 libras)
<b>Fuerza máxima de detención:</b>	6 kN (1350 libras)
<b>Fuerza media de detención:</b>	4 kN (900 libras)
<b>Distancia máxima de detención:</b>	1,1 m (42 pulgadas)
<b>Velocidad promedio de bloqueo:</b>	1,4 m/s (4,5 pies/s)
<b>Rango de velocidad de descenso RSQ:</b>	0,6 - 0,9 m/s (2-3 pies/s)
<b>Distancia de caída mínima:</b>	1,8 m (6 pies) a 140 kg (310 libras)

## 1.0 APLICACIONES

- 1.1 PROPÓSITO:** Los dispositivos autorretráctiles 3M (Self-Retracting Devices, SRD) están diseñados para ser un componente de los sistemas personales de detención de caídas (PFAS). La Figura 1 ilustra los SRD comprendidos en este manual de instrucciones y sus aplicaciones típicas. Pueden utilizarse en la mayoría de las situaciones que requieran proporcionar al operario una combinación de movilidad y protección contra caídas (p. ej., tareas de inspección, construcción en general, tareas de mantenimiento, producción petrolera, trabajo en espacios confinados, etc.).
- 1.2 NORMAS:** Su SRD cumple las normas nacionales o regionales identificadas en la cubierta de estas instrucciones. Si se revende este producto fuera del país de destino original, el revendedor debe proporcionar estas instrucciones en el idioma del país en donde se utilizará el producto.
- 1.3 FORMACIÓN:** Este equipo está diseñado para ser utilizado por personas que hayan recibido formación sobre su uso y aplicación correctos. Es responsabilidad del usuario garantizar que está familiarizado con estas instrucciones, y que cuenta con formación en el cuidado y uso correctos de este equipo. El usuario también debe tener conocimiento de las características de funcionamiento, los límites de aplicación y las consecuencias del uso incorrecto de este equipo.
- 1.4 LIMITACIONES:** Tenga siempre en cuenta las siguientes limitaciones y requisitos cuando instale o utilice este equipo:

- **Capacidad:** Se ha probado el cumplimiento de este SRD para ser utilizado por una sola persona con un peso combinado (ropa, herramientas, etc.) de entre 59 y 140 kg (130 y 310 lb respectivamente).<sup>1</sup> Asegúrese de que todos los componentes del sistema se han preparado para una capacidad adecuada para su aplicación.
- **Anclaje:** La estructura de anclaje para el SRD debe ser capaz de soportar cargas de hasta 12 kN (2697 lb). Los dispositivos de anclaje deben cumplir con la normativa EN795.
- **Velocidad de bloqueo:** Se deben evitar las situaciones que no permitan un trayecto de caída sin obstrucciones. Trabajar en espacios confinados o estrechos puede hacer que el cuerpo no alcance suficiente velocidad para provocar el bloqueo del SRD en caso de producirse una caída. Es posible que al trabajar sobre materiales de desplazamiento lento, como arena o grano, no se alcance la velocidad suficiente para provocar el bloqueo del SRD. Es necesario un trayecto sin obstáculos para garantizar un bloqueo correcto del SRD.
- **Caída libre:** En un uso correcto, los SRD limitan la distancia de la caída libre a 61 cm (2 ft). Para evitar unas distancias de caída mayores, no trabaje por encima del anclaje. **No alargue el SRD mediante la conexión de una eslinga o de un componente similar sin consultar antes con 3M.** Nunca pince, anude ni impida que el anticaídas se retraiga o pierda tensión. Evite que la cuerda esté floja.
- **Caídas con oscilación:** Las caídas con oscilación ocurren cuando el punto de anclaje no se encuentra directamente encima del punto donde se produce la caída. La fuerza con que se golpea un objeto en una caída con oscilación puede causar lesiones graves (consulte la figura 3A). Trabaje en un lugar situado lo más directamente posible por debajo del punto de anclaje para minimizar la posibilidad de caídas con balanceo (Figura 3B). El trabajo lejos del punto de anclaje (Figura 3C) incrementará el impacto de una caída de oscilación y aumentará la distancia de caída (FC) necesaria.
- **Distancia de caída:** La figura 3B muestra el cálculo de la distancia de caída. La distancia de caída (Fall Clearance, FC) es la suma de la caída libre (Free Fall, FF), distancia de desaceleración (Deceleration Distance, DD) y factor de seguridad (Safety Factor, SF):  $FC = FF + DD + SF$ . En el factor de seguridad se incluyen el deslizamiento de la anilla D y el estiramiento del arnés. En la figura 4 aparecen los valores de caída que se han calculado. Para todos los valores de la figura 4 se utilizó un factor de seguridad de 1 m (3,28 ft).

Las Figuras 3D y 3C ilustran la distancia de caída. Para caídas en posición de pie en las que el SRD esté anclado directamente encima (Figura 3B), los sistemas de detención de caídas SRD deben tener las distancias de caída mínima especificadas en la Tabla 1. Las caídas en posición de rodillas o en cuclillas requerirán de 1 m (3 ft) adicional de distancia de caída. En una situación de caída con oscilación (Figura 3C), la distancia total de la caída vertical del usuario será mayor que si el usuario hubiese caído directamente bajo el punto de anclaje, y puede requerir una distancia de caída adicional. En la Figura 4 y en su tabla acompañante se define el radio máximo de trabajo (C) para distintas alturas de anclaje de SRD (A) y distancias de caída (B). La zona de trabajo recomendada se limita al área situada dentro del radio máximo de trabajo.

- **Peligros:** El uso de este equipo en zonas con peligros ambientales puede requerir precauciones adicionales para reducir la posibilidad de lesiones al usuario o de daños al equipo. Los peligros pueden incluir, entre otros: el calor excesivo, sustancias cáusticas, ambientes corrosivos, líneas de alta tensión, gases explosivos o tóxicos, maquinaria en movimiento, o materiales que puedan caer y golpear al usuario o al sistema de detención de caídas. Evite trabajar en lugares donde el anticaídas pueda cruzarse o enredarse con el de otro trabajador. Evite trabajar en sitios donde pueda caer un objeto que golpee el anticaídas y pueda producirle daños o una pérdida de equilibrio. No permita que el anticaídas pase por debajo de los brazos o entre las piernas.
- **Bordes afilados:** Evite trabajar en sitios donde el cabo anticaídas pueda estar en contacto con bordes afilados sin protección o pueda friccionarse contra ellos. Cuando el contacto con un borde afilado sea inevitable, cubra el borde con material protector.

## 2.0 USO

- 2.1 PLAN DE RESCATE:** Al utilizar este equipo, el empleador debe tener un plan de rescate y los medios a mano para implementarlo, así como comunicar el plan a los usuarios, personas autorizadas y rescatadores.
- 2.2 FRECUENCIA DE INSPECCIÓN:** Los SRD deben inspeccionarse por la persona autorizada<sup>2</sup> o por el rescatador<sup>3</sup> antes de cada uso (consulte la Tabla 2). Además, las inspecciones deberá realizarlas una persona competente,<sup>4</sup> que no sea el usuario, en intervalos no superiores al año. Las condiciones de trabajo extremas (entornos duros, uso prolongado, etc.)

**1 Capacidad:** Mientras que los SRD CE tienen una capacidad máxima de 140 kg (310 lb), los SRD con recuperación de 3 posiciones están calificados para soportar una elevación máxima de carga de 135 kg (298 lb).

**2 Persona autorizada:** una persona asignada por el empleador para realizar tareas en una ubicación donde estará expuesto a riesgo de caída.

**3 Rescatador:** persona o personas, que no sean el sujeto que se pretende rescatar, que actúan para realizar un rescate asistido mediante un sistema de rescate.

**4 Persona competente:** una persona designada por el empleador que se encarga de la supervisión inmediata, implementación y seguimiento del programa de protección contra caídas del empleador, quien, mediante su formación y conocimiento, puede identificar, evaluar y atender los riesgos reales y potenciales de caídas, y que cuenta con la autorización del empleador para tomar medidas correctivas inmediatas en relación con dichos riesgos.

pueden hacer que sea necesario aumentar la frecuencia de las inspecciones que realizan las personas competentes. Los procedimientos de inspección se describen en el "Registro de inspección y mantenimiento" (Tabla 3). Los resultados de la inspección por parte de la persona competente deben registrarse en el "Registro de inspección y mantenimiento" o registrarse con el sistema RFID (consulte la Sección 5).

**2.3 FUNCIONAMIENTO NORMAL:** El funcionamiento normal permitirá extender y retraer el anticaídas completo, sin dificultad y sin holgura, cuando el trabajador se mueve a velocidad normal. En caso de que se produzca una caída, un sensor de velocidad activará un sistema de freno que permitirá detener la caída y absorber mucha de la energía generada. Se deben evitar los movimientos repentinos o rápidos durante las labores normales de trabajo, dado que pueden provocar el bloqueo del SRD. Para caídas que se produzcan cerca del final del recorrido del anticaídas, se ha incorporado un sistema de reserva anticaídas o absorbedor de energía para reducir las fuerzas de detención de caídas. Si el SRD ha sido sometido a fuerzas de detención de caídas: retírelo del servicio, márkelo o etiquételo como "INUTILIZABLE", inspecciónelo y repárelo de la forma indicada en la Sección 5 y en la 6.

**2.4 SUJECCIÓN DEL CUERPO:** Se debe utilizar un arnés de cuerpo completo con los dispositivos autorretráctiles. El punto de conexión del arnés debe estar situado por encima del centro de gravedad del usuario. No se autoriza el uso de un cinturón corporal con los dispositivos autorretráctiles. En caso de caída, el uso de un cinturón corporal puede causar la liberación accidental del sistema o traumas físicos por una sujeción inadecuada al cuerpo.

**2.5 COMPATIBILIDAD DE COMPONENTES:** Salvo que se indique lo contrario, el equipo 3M está diseñado para su uso solo con componentes y subsistemas aprobados por 3M. Las sustituciones que se hagan con componentes o subsistemas no aprobados pueden poner en peligro la compatibilidad del equipo y afectar a la seguridad y fiabilidad de todo el sistema. Siga las instrucciones del fabricante para los componentes y subsistemas de su sistema personal de detención de caídas.

**2.6 COMPATIBILIDAD DE CONECTORES:** Los conectores se consideran compatibles con los elementos de conexión cuando, sin importar cómo queden orientados, se han diseñado para trabajar en conjunto de manera que sus tamaños y formas no provoquen que sus mecanismos de apertura se abran inesperadamente. Póngase en contacto con 3M si tiene alguna duda sobre compatibilidad.

Los conectores utilizados para suspender el SRD deben cumplir con la norma EN362. Los conectores deben ser compatibles con el anclaje y los demás componentes del sistema. No utilice equipos que no sean compatibles. Los conectores no compatibles pueden desengancharse de manera accidental (véase la Figura 4). Los conectores deben ser compatibles en tamaño, forma y resistencia. Se precisan mosquetones con cierre automático y mosquetones con cierre automático. Si el elemento conector al que se acopla un mosquetón con cierre automático o un mosquetón es más pequeño de lo normal o tiene forma irregular, puede suceder que el elemento conector ejerza una fuerza sobre el mecanismo de apertura del mosquetón con cierre automático o el mosquetón (A). Esta fuerza puede hacer que el mecanismo de apertura se abra (B) y permitir que el mosquetón con cierre automático o el mosquetón se desenganchen del punto de conexión (C).

**2.7 REALIZACIÓN DE CONEXIONES:** Los mosquetones con cierre automático y mosquetones que haya que usar con este equipo deben ser de autobloqueo. Asegúrese de que todas las conexiones sean compatibles en tamaño, forma y resistencia. No utilice equipos que no sean compatibles. Asegúrese de que todos los conectores estén totalmente cerrados y bloqueados. Los conectores 3M (mosquetones con cierre automático y mosquetones) están diseñados para usarse solo como se indica en las instrucciones del usuario del producto. Consulte la figura 5 para ver ejemplos de conexiones incorrectas. No conecte mosquetones con cierre automático y mosquetones:

- A. A una anilla D que tenga otro conector acoplado.
- B. De algún modo que dé como resultado una carga sobre el mecanismo de apertura. Los mosquetones con cierre automático de apertura grande no deben conectarse a anillas D de tamaño estándar o a objetos similares, ya que podrían provocar una carga sobre el gancho si el mosquetón o la anilla D se torciera o girara, a menos que el mosquetón con cierre automático venga equipado con un gancho de 16 kN (3600 lb). Compruebe las marcas del mosquetón con cierre automático para verificar que es adecuado para su aplicación.
- C. En un acoplamiento en falso, donde los elementos que se proyectan desde el mosquetón con cierre automático o el mosquetón se enganchan al anclaje y, sin confirmación visual, parecieran estar completamente acoplados al punto de anclaje.
- D. Entre sí.
- E. Directamente al tejido o eslinga de cuerda o al cabo (a menos que las instrucciones del fabricante tanto para la eslinga como para el conector permitan específicamente esta conexión).
- F. A cualquier objeto que tenga una forma o dimensión tal que el mosquetón con cierre automático o el mosquetón no se cierren ni se bloqueen o que puedan soltarse.
- G. De modo que el conector no quede correctamente alineado mientras está soportando carga.

**Tabla 2 – Programa de inspección**

Tipo de uso	Ejemplos de aplicación	Condiciones de uso	Frecuencia de inspección
			Persona competente
De poco frecuente a escaso	Rescate y espacio confinado, mantenimiento de la fábrica	Buenas condiciones de almacenamiento, uso en interiores o uso poco frecuente en exteriores, temperatura ambiente, ambientes limpios	Una vez al año
De moderado a intenso	Transporte, construcción residencial, servicios públicos, almacén	Condiciones adecuadas de almacenamiento, uso en interiores y uso prolongado en exteriores, todas las temperaturas, ambientes limpios o polvorientos	Dos veces al año o una vez al año
De severo a continuo	Construcción comercial, petróleo y gas, minería	Condiciones exigentes de almacenamiento, uso en exteriores prolongado o continuo, todas las temperaturas, ambiente sucio	Trimestralmente o cada seis meses

## 3.0 Instalación

- 3.1 PLANIFICACIÓN:** planifique su sistema de protección contra caídas antes de empezar a trabajar. Tenga en cuenta todos los factores que podrían afectar a su seguridad antes, durante y después de una caída. Considere todos los requisitos y limitaciones definidos en este manual.
- 3.2 ANCLAJE:** La Figura 7 ilustra los típicos conectores de anclaje de la SRL. El anclaje (A) debe fijarse directamente al techo o por encima de la cabeza para minimizar los riesgos de caída libre y caída con oscilación (vea la Sección 2). Seleccione un punto de anclaje rígido capaz de sustentar las cargas estáticas definidas en la Sección 2.2. El cáncamo giratorio del SRL está equipado con un mosquetón (B). Fije el mosquetón directamente a la estructura de anclaje (barra de refuerzo, hierro angular, etc.), a un adaptador de amarre (C) o a un punto de conexión de anclaje (D).
- 3.3 CONEXIÓN A ARNÉS:** para la detención de caídas se requiere un arnés de cuerpo completo. Conecte el mosquetón con cierre automático (A) del anticaídas SRL a la anilla D dorsal trasera (B) del arnés de cuerpo completo. (Consulte la Figura 8). Para situaciones tales como subir las escaleras, puede resultar útil conectarlo a la anilla D para el esternón delantera. Consulte las instrucciones del fabricante del arnés para ver los detalles del uso de los puntos de conexión del arnés.
- 3.4 MONTAJE DEL TRÍPODE:** La Figura 9 ilustra la instalación del dispositivo autorretráctil Sealed-Blok con manivela manual de recuperación en un trípode DBI-SALA. La SRD-R se monta en una pata del trípode y el anticaídas se hace pasar por un sistema de poleas en la cabeza del trípode:

**1. Fije correctamente el soporte de montaje rápido en la pata del trípode:** ensamble el soporte de montaje rápido alrededor del tubo superior de la pata del trípode. Coloque el soporte de montaje rápido al menos 12 pulgadas. (30 cm) por encima del pasador de bloqueo de la pata del trípode y, a continuación, apriete los pernos de montaje a 15 pies-libras (20 Nm). No apriete en exceso los pernos.

*No monte nunca el soporte de montaje rápido en el tubo (telescopico) inferior de la pata del trípode.*

**2. Fije correctamente el soporte de montaje de la SRL en el soporte de montaje rápido:** coloque las hendiduras del soporte de montaje de la SRL sobre los extremos de la varilla que sobresalen del soporte de montaje rápido y, a continuación, gire la SRL hacia la pata del trípode hasta que los orificios del soporte de montaje de la SRL se alineen con los orificios del soporte de montaje rápido. Inserte el pasador de montaje a través de los orificios del soporte de montaje de la SRL y del soporte de montaje rápido.

**3. Haga pasar el anticaídas de la SRL por encima de las poleas de montaje de la cabeza del trípode:** quite los dos pasadores de retención del montaje de la cabeza. Coloque el cable del anticaídas de la SRL en las ranuras de las dos poleas de montaje de la cabeza. Vuelva a insertar los pasadores de retención a través del montaje de la cabeza.

## 4.0 FUNCIONAMIENTO

*Los usuarios poco habituados deben consultar la "Información de seguridad" que se encuentra al principio de este manual antes de utilizar el dispositivo autorretráctil (SRD).*

- 4.1 ANTES DE CADA USO:** antes de cada uso de este equipo de protección contra caídas, inspecciónelo con cuidado para comprobar que se encuentre en buen estado. Compruebe que no existan piezas desgastadas ni dañadas. Asegúrese de que todos los pernos estén en su lugar y bien apretados. Compruebe que el anticaídas se retraiga de manera correcta al extraer el cabo y al soltar lentamente. Si se produce alguna demora en la retracción, la unidad se debe marcar como "INUTILIZABLE" y devolver a un centro de servicio autorizado para su inspección técnica. Inspeccione el anticaídas para comprobar si tiene cortes, desgaste, quemaduras, aplastamiento o corrosión. Compruebe la acción de bloqueo tirando bruscamente del cabo. Consulte la Sección 5 para más información sobre la inspección. No debe usarse el dispositivo si la inspección muestra que se encuentra en condiciones no seguras.
- 4.2 SI SE PRODUCE UNA CAÍDA:** cualquier equipo que haya sido sometido a fuerzas de detención de caídas o muestre signos de daño como consecuencia del efecto de estas fuerzas según se describe en la Sección 5, deberá ser retirado del servicio inmediatamente, marcado como "INUTILIZABLE" e inspeccionado y sometido a revisión del servicio técnico según se describe en las secciones 5 y 6.
- 4.3 SUJECCIÓN DEL CUERPO:** Se debe llevar un arnés de cuerpo completo al usar dispositivos autorretráctiles. Para protección general contra caídas, engánchelo a la anilla D dorsal trasera. Para situaciones tales como subir las escaleras, puede resultar útil conectarlo a la anilla D para el esternón delantera. Consulte las instrucciones del fabricante del arnés para ver los detalles del uso de los puntos de conexión del arnés.
- 4.4 CÓMO CONECTARSE:** Cuando utilice un gancho para realizar una conexión, asegúrese de que no pueda soltarse (consulte la figura 5). No use ganchos ni conectores que no se cierren completamente sobre el objeto de fijación. No utilice mosquetones sin cierre automático. La superficie de montaje debe cumplir con los requisitos de resistencia del anclaje que figuran en la Sección 2.2. Siga las instrucciones del fabricante suministradas con cada componente del sistema.
- 4.5 FUNCIONAMIENTO:** inspeccione la unidad SRD según se describe en la Sección 5.0. Conéctelo a un anclaje o conector de anclaje apropiado como se describió anteriormente. Conecte el mosquetón con cierre automático autobloqueante del extremo del anticaídas a la anilla D dorsal del arnés de cuerpo completo (consulte la Figura 8). Asegúrese de que las conexiones sean compatibles en tamaño, forma y resistencia. Asegúrese de que el gancho esté totalmente cerrado y bloqueado. Una vez fijado, el trabajador tiene libertad de movimiento dentro del área de trabajo recomendada a velocidades normales. Cuando trabaje con un SRD, deje siempre que el anticaídas se repliegue en el dispositivo de control. Es posible que se necesite un cabo de retención para extender o retraer el anticaídas al realizar una conexión o desconexión. Puede utilizarse un cabo de retención para evitar la retracción descontrolada del anticaídas en el SRD. Según el entorno y las condiciones del sitio de trabajo, es posible que sea necesario restringir el extremo libre del cabo de retención para evitar la interferencia y el enredo con el equipo o la maquinaria.
- 4.6 SELECCIÓN DEL MODO DESCENSO / DETENCIÓN DE CAÍDAS RSQ™:** las SRL DBI-SALA RSQ™ de modo dual están equipadas con una perilla RSQ que permite seleccionar entre el modo de detención de caídas y el modo de descenso de la SRL (consulte la Figura 10). Si la perilla RSQ está ajustada a "Fall Arrest" (Detención de caídas), el SRL detendrá la caída. Si la perilla RSQ está ajustada a "Descent" (Descenso), el SRL hará descender automáticamente al usuario a un nivel inferior si se produce una caída. Para seleccionar el modo de detención de caídas o el modo de descenso:
1. Tire de la perilla de fijación de RSQ™ hacia afuera.
  2. Gire la perilla de fijación RSQ™ hasta que la flecha de la superficie la perilla apunte al modo de descenso (A) o al modo de detención de caídas (B) y la perilla de fijación RSQ™ encaje en la hendidura de selección (como ilustra la Figura 10).

**Modo de descenso RSQ:** en el modo de descenso, el usuario desciende automáticamente a un nivel inferior si se produce una caída.

**Modo de detención de caídas RSQ:** en el modo de detención de caídas, el SRD detiene la caída y el usuario queda suspendido. El descenso se activa y se controla mediante el anillo de tracción de la perilla de fijación RSQ™ o mediante una herramienta de liberación de la polea de extensión, opcional (Consulte la Figura 11):

- **Anillo de tracción de perilla la fijación:** La Figura 11 ilustra el funcionamiento del anillo de tracción de la perilla de fijación. Para desacoplar el modo de detención de caídas e iniciar el descenso, sujete el anillo de tracción y tire fuerte de la perilla de fijación hacia afuera (A). Para detener el descenso; suelte el anillo de tracción para volver a acoplar el modo de detención de caídas (B). Para acoplar y dejar fijo el modo de descenso para que el descenso continúe sin tirar del anillo de tracción, gire la perilla de fijación en el sentido contrario al de las agujas del reloj (C) hasta que la flecha en la superficie de la perilla apunte a la hendidura de selección de descenso (Consulte la Figura 10).

*se necesita contra fuerza de tracción de entre 80 libras y 100 libras (0,36 kN a 0,45 kN) para liberar la perilla de fijación RSQ™ del modo de protección contra caídas.*

- **Herramienta de liberación la polea de extensión:** Inserte la herramienta de liberación de la polea de extensión desde cualquier dirección de manera que los extremos de las horquillas de liberación rodeen la base de la perilla de fijación RSQ™ por debajo del saliente estriado y del anillo de tracción (Consulte la Figura 11D). Para desacoplar el modo de protección contra caídas e iniciar el descenso, empuje hacia adelante la polea de extensión hasta que la perilla de fijación RSQ™ esté completamente colocada en las horquillas de liberación. El descenso continuará mientras la perilla de liberación esté completamente insertada entre la perilla de fijación RSQ™ y la carcasa. La extracción de la horquilla de liberación puede provocar que la unidad se vuelva a acoplar al modo de protección contra caídas.

*La horquilla de liberación de la herramienta de liberación de la polea de extensión es cónica para empujar la perilla de fijación RSQ™ hacia afuera cuando esta se empuja hacia adelante en la perilla. No es necesario hacer de palanca en la perilla con la polea de extensión. Si la lo hace, podría romper la perilla.*

*Las SRL RSQ Sealed-Blok están diseñadas para detenciones de caída y descensos de emergencia y solo deben utilizarse para un único descenso vertical. Una vez que la SRL se haya utilizado para descender, retírela inmediatamente del uso y envíela a un centro de servicio técnico autorizado para su reparación.*

**4.7 FUNCIONAMIENTO DEL SISTEMA DE RECUPERACIÓN:** La Figura 12 ilustra el funcionamiento de la manivela manual de recuperación integral de la SRL-R Sealed-Blok. No intente accionar la recuperación con el anticaídas totalmente retraído. Para activar el modo de recuperación y utilizar la manivela manual de rescate:

1. Afloje el tornillo de pulgar de bloqueo para liberar la manivela de recuperación.
2. Gire el mango de recuperación hacia arriba desde el cuerpo de la SRL 90°.
3. Tire de la perilla de cambio y manténgala en la posición de desbloqueo.
4. Presione el brazo de la manivela hacia dentro y libere la perilla de cambio hasta que enganche. Si es necesario, gire el brazo de la manivela en el sentido de las agujas del reloj para ayudar al acoplamiento del equipo.
5. Suba y baje el anticaídas como se ilustra en la Figura 12:
  - A. Para subirlo: gire el brazo de la manivela en el sentido de las agujas del reloj.
  - B. Para bajarlo: gire el brazo de la manivela en sentido contrario a las agujas del reloj. Después de una detención de caída, primero gire el brazo de la manivela levemente en el sentido de las agujas del reloj para liberar el freno de detención de caídas; a continuación, gírelo en el sentido contrario al de las agujas del reloj.

*La manivela manual de rescate integral en modelos SRL-R con sistema de recuperación de emergencia de 3 vías es solo para fines de rescate y no debe utilizarse para posicionamiento de trabajo o material de elevación/descenso.*

*Las SRL-R DBI-SALA no incorporan embrague de sobrecarga que limite la fuerza aplicada a los componentes de la unidad de tracción ni a la persona sujeta. Evite que el cabo se afloje mientras esté en modo de recuperación. También debe controlarse al individuo durante la recuperación para garantizar que no esté sujeto a una fuerza excesiva como resultado de la elevación continuada después de haber quedado enredado en una obstrucción.*

*se requiere una carga mínima de 33,9 kg (75 libras) para bajar o desprender el anticaídas. Se requiere una fuerza mínima de 0,13 kN (30 libras) para activar el sistema de recuperación cuando se carga a la máxima capacidad.*

*Deje de girar la manivela cuando el anticaídas esté totalmente extendido o retraído. Si sigue girando la manivela, puede dañar los componentes.*

**4.8 DESACOPLIAMIENTO DEL MODO DE RECUPERACIÓN:** para desacoplar el modo de recuperación:

*cuando se desacopla el modo de recuperación, cualquier anticaídas extendido se replegará en la SRL. Para evitar posibles lesiones, retraiga el anticaídas antes del desacoplamiento o manténgase sujeto a él.*

1. Retire toda carga del anticaídas.
2. Tire de la perilla de cambio y manténgala en la posición de desbloqueo.
3. Tire del brazo de la manivela hacia afuera para desacoplar y suelte la perilla de cambio.
4. Tire hacia afuera del mango de recuperación y gírelo hacia abajo del cuerpo de la SRL, hasta la posición almacenada.

## 5.0 Inspección

**5.1 ETIQUETA RFID:** el dispositivo autorretráctil (SRD) incluye una etiqueta de identificación de radiofrecuencia (RFID) (consulte la figura 13). La etiqueta RFID puede usarse junto con el dispositivo de lectura portátil y el portal web para simplificar la inspección y el control del inventario y para proporcionar registros sobre su equipo de protección contra caídas. Para obtener detalles, póngase en contacto con un representante del Servicio de atención al cliente de 3M (consulte la portada posterior). Para transferir datos a su registro web, siga las instrucciones del dispositivo de lectura portátil o el portal web.

**5.2 FRECUENCIA DE INSPECCIÓN:** Se debe inspeccionar el dispositivo autorretráctil Sealed-Blok en los intervalos definidos en la "Sección 2 - Frecuencia de inspección". Los procedimientos de inspección se describen en el "Registro de inspección y mantenimiento" (Tabla 3).

*Unas condiciones extremas de funcionamiento (entornos exigentes, uso prolongado, etc.) pueden requerir que se incremente la frecuencia de las inspecciones.*

**5.3 CONDICIONES POCO SEGURAS O DEFECTUOSAS:** si la inspección revela una situación poco segura, retire inmediatamente el dispositivo autorretráctil, márkelo como "INUTILIZABLE" y deje que una persona competente realice una inspección para determinar las opciones de servicio.

*Solo 3M o las partes autorizadas por escrito pueden realizar reparaciones distintas al reemplazo del anticaídas FAST-Line para este equipo.*

**5.4 VIDA ÚTIL DEL PRODUCTO:** la vida útil de los dispositivos autorretráctiles DBI-SALA depende de las condiciones de uso y mantenimiento. Siempre que el producto cumpla los criterios de inspección, este podrá seguir utilizándose.

## 6.0 MANTENIMIENTO, REPARACIONES Y ALMACENAMIENTO

**6.1 LIMPIEZA:** a continuación se detallan los procedimientos de limpieza de los dispositivos autorretráctiles:


- Limpie periódicamente el exterior del SRD con agua y una solución jabonosa suave. Coloque el SRD de modo que se drene fácilmente el exceso de agua. Limpie las etiquetas cuando sea necesario.
- Limpie el anticaídas con agua y una solución jabonosa suave. Enjuague y seque completamente al aire. No acelere el secado con calor. La acumulación excesiva de suciedad, pintura, etc. podría impedir la retracción completa del anticaídas dentro de la carcasa, con posible riesgo de caída libre. Sustituya el anticaídas si hay presente suciedad excesiva.

**6.2 REPARACIÓN:** Una persona competente puede reemplazar los anticaídas FAST-Line en el lugar de trabajo<sup>1</sup>. Consulte la Figura 1 para el juego de repuesto del anticaídas FAST-Line requerido. Instale el anticaídas según las instrucciones en el Manual de servicio (5903076) incluido con el juego FAST-Line. Una persona competente debe realizar siempre una inspección después de reemplazar el anticaídas FAST-Line. El servicio adicional, determinado a partir de la inspección de la persona competente, debe ser completado por un centro de servicio autorizado. No intente desmontar el SRD ni lubricar sus piezas.

**6.3 ALMACENAMIENTO Y TRANSPORTE:** transporte y almacene el dispositivo autorretráctil en un lugar fresco, seco y limpio, alejado de la luz solar directa. Evite las zonas donde pueda haber vapores químicos. Inspeccione cuidadosamente los SRD después de cualquier período de almacenamiento prolongado.

## 7.0 Etiquetado

La Figura 20 muestra las etiquetas de las unidades SRD Sealed-Blok y dónde se colocan. Todas las etiquetas de los SRD deben estar presentes. Si las etiquetas no son plenamente legibles, deberán sustituirse. La información de las etiquetas es la siguiente:

	Lea todas las instrucciones.
(A)	Longitud del anticaídas (distancia máxima de elevación)
(B) (C)	1) Corrija la conexión del anticaídas del SRD. 2) Intervalo de temperatura de uso: -40 °C to +60 °C. 3.1) Ancle siempre el SRD por encima de la cabeza. 3.2) Nunca ancle el SRD al punto de conexión del arnés dorsal trasero o por debajo de él. 4) Capacidad máxima: 140 kg <sup>(B)</sup> /135 kg <sup>(C)</sup> . 5) Inspeccione el mosquetón con cierre automático y el indicador de impacto. 6) Inspeccione el mecanismo de bloqueo del SRD. Debería oír un ruido cuando el SRD se bloquee. 7) No cargue el SRD sobre un borde. 8) Inspeccione el indicador de impacto del mosquetón con cierre automático. No utilice el SRD si está indicado impacto. 9) Controle el anticaídas mientras retrocede al SRD. 10) Peligro de caída con oscilación. El ángulo del anticaídas debe estar cerca de la vertical. 11.1) No lo repare. 11.2) Las tareas de servicio y de mantenimiento solo deben ser realizadas por personas autorizadas por 3M. 12) Guárdelo en un lugar fresco, seco y limpio, sin exponerlo directamente a la luz solar. 13) No usar si la banda del anticaídas de reserva está expuesta. 14) No quite las etiquetas. Las etiquetas deben estar presentes y ser completamente legibles. 15) Altura máxima de descenso 16) Punto de conexión para el anclaje secundario de objetos caídos 17) Año y mes de fabricación, número de lote, número de modelo 18) Longitud del anticaídas (distancia máxima de elevación). 19) Lea el Manual de servicio de FAST-Line (5903076). 20) Funcionamiento de la recuperación: (A) Suelte el tornillo de pulgar de bloqueo. (B) Gire el mango de recuperación hacia arriba. (C) Tire de la perilla de cambio y manténgala. (D) Presione la manivela hacia dentro y libere la perilla de cambio. Si es necesario, gire levemente el brazo de la manivela en el sentido de las agujas del reloj para acoplar el equipo. Gire el brazo de la manivela en el sentido contrario al de las agujas del reloj para subir. Gire el brazo de la manivela en el sentido de las agujas del reloj para bajar. (E) Suelte la perilla del cambio para bloquear el brazo de la manivela.
(D)	Este producto cuenta con la etiqueta de identificación por radiofrecuencia (RFID) y contiene una etiqueta electrónica que puede leerse con lectores compatibles, lo que facilita los registros de inspección, la gestión del inventario y otra información relativa a la seguridad.
(E) (F)	A) Número de serie B) Número de modelo C) Fecha de fabricación D) Número de lote E) Fechas de servicio
(G)	Para bajar: Gire el brazo de la manivela ligeramente en el sentido contrario a las agujas del reloj para liberar el freno de detención de caídas; a continuación, gírelo en el sentido de las agujas del reloj. Para subir: gire el brazo de la manivela en sentido contrario a las agujas del reloj. Carga máxima de elevación: 135 kg
(H) (I)	Tire hacia afuera de la perilla de fijación RSQ y gírela hasta que la flecha apunte al modo deseado: (D) Descenso, (E) protección contra caídas

**1 Persona competente:** una persona designada por el empleador que se encarga de la supervisión inmediata, implementación y seguimiento del programa de protección contra caídas del empleador, quien, mediante su formación y conocimiento, puede identificar, evaluar y atender los riesgos reales y potenciales de caídas, y que cuenta con la autorización del empleador para tomar medidas correctivas inmediatas en relación con dichos riesgos.

**Tabla 3: Registro de inspección y mantenimiento**

Números de serie:		Fecha de compra:	
Número de modelo:		Fecha del primer uso:	
Inspeccionado por:		Fecha de la inspección:	
Componente:	Inspección:	Antes de cada uso	Persona competente
SRD (Figura 14)	Inspeccione para confirmar si hay pernos sueltos y piezas dobladas o dañadas.	<input type="checkbox"/>	<input type="checkbox"/>
	Inspeccione la carcasa (A) para comprobar que no haya ninguna deformación o fisura u otros desperfectos.	<input type="checkbox"/>	<input type="checkbox"/>
	Inspeccione el cáncamo giratorio (B) para comprobar que no haya ninguna deformación o fisura u otros desperfectos. El cáncamo giratorio debe fijarse de forma segura a la SRL, pero debe poder pivotar libremente.	<input type="checkbox"/>	<input type="checkbox"/>
	El anticaídas (C) se debe extraer y retraer por completo sin vacilar y sin que el cabo quede flojo.	<input type="checkbox"/>	<input type="checkbox"/>
	Asegúrese de que el dispositivo se bloquea cuando se tira del anticaídas de manera brusca. El bloqueo debe ser seguro y sin deslizamiento. NOTA: Para esta prueba, las SRL con RSQ deben estar en el modo de detención de caídas (Consulte la Figura 8)	<input type="checkbox"/>	<input type="checkbox"/>
	Las etiquetas deben estar presentes y ser completamente legibles (véase "Etiquetas").	<input type="checkbox"/>	<input type="checkbox"/>
	Revise si la unidad presenta señales de corrosión.	<input type="checkbox"/>	<input type="checkbox"/>
Mosquetón con cierre automático giratorio e indicador de impacto (Figura 15)	Inspeccione el mosquetón con cierre automático giratorio para comprobar si presenta señales de daño o corrosión y si funciona correctamente. La pieza giratoria debe girar libremente. Inspeccione el indicador de impacto. Si aparece la banda roja (modo indicado), quiere decir que se ha producido una carga de impacto y la SRL debe retirarse inmediatamente del servicio e inspeccionarse. No intente restablecer el indicador de impacto. Devuélvalo a un centro de servicio técnico autorizado para su puesta a cero. NOTA: Si el indicador de impacto está en el modo indicado, el cáncamo giratorio no girará libremente.	<input type="checkbox"/>	<input type="checkbox"/>
	<input checked="" type="checkbox"/> <b>FAST-Line significa DE POR VIDA:</b> Si se muestra la banda roja en el indicador de impacto del mosquetón con cierre automático giratorio (modo indicado), póngase en contacto con 3M para obtener información sobre el servicio prestado por un centro de servicio autorizado, o reemplace el anticaídas FAST-Line siguiendo las instrucciones del "Manual de servicio del juego de sustitución de anticaídas FAST-Line (5903076)" y complete la inspección de la persona competente.		<input type="checkbox"/>
Cabo anticaídas de cable metálico FAST-Line (Figura 16)	Compruebe que no existan cortes, dobleces, cables rotos, arqueamiento, salpicaduras de soldadura, corrosión, áreas de contacto con productos químicos o áreas con abrasión grave en el cable metálico. Deslice el tope del cable hacia arriba e inspeccione los casquillos para comprobar si hay fisuras o daños y examine el cable metálico para verificar si presenta señales de corrosión o tiene hilos rotos. Sustituya la unidad del cable metálico si hay seis o más hilos rotos distribuidos aleatoriamente en un trenzado, o tres o más hilos rotos en una hebra de un trenzado. Un "trenzado" de un cable metálico es la longitud de cable necesaria para que una hebra (o grupos más grandes de hilos) complete una revolución o vuelta a lo largo del cable. Sustituya la unidad de cable metálico si hay cables rotos a 25 mm (1 pulgada) de los casquillos.	<input type="checkbox"/>	<input type="checkbox"/>
	<input checked="" type="checkbox"/> <b>FAST-Line significa DE POR VIDA:</b> Si la inspección en el paso anterior indica reemplazo del anticaídas, póngase en contacto con 3M para obtener información sobre el servicio prestado por un centro de servicio autorizado, o reemplace el anticaídas FAST-Line siguiendo las instrucciones del "Manual de servicio del juego de sustitución de anticaídas FAST-Line (5903076)" y complete la inspección de la persona competente.		<input type="checkbox"/>
Anticaídas de reserva (Figura 17)	Inspeccione la salida del anticaídas de reserva. Si se empleó la mayor parte del cabo salvavidas para detener una caída, puede haberse desplegado el cabo salvavidas de reserva. Extienda toda la unidad SRD hasta el tope. Si el botón de parada (A) se puede extraer y está visible, el anticaídas de reserva se ha gastado y el anticaídas debe reemplazarse.	<input type="checkbox"/>	<input type="checkbox"/>
	<input checked="" type="checkbox"/> <b>FAST-Line significa DE POR VIDA:</b> Si la inspección en el paso anterior indica reemplazo del anticaídas, póngase en contacto con 3M para obtener información sobre el servicio prestado por un centro de servicio autorizado, o reemplace el anticaídas FAST-Line siguiendo las instrucciones del "Manual de servicio del juego de sustitución de anticaídas FAST-Line (5903076)" y complete la inspección de la persona competente.		<input type="checkbox"/>
Componentes de RSQ (Figura 18)	Antes de cada uso, debe realizarse una prueba manual de tracción de los componentes del RSQ™: 1. Ajuste la perilla de fijación RSQ en la posición de descenso (Diagrama 4). 2. Agarre el anticaídas y tire con fuerza para acoplar el mecanismo de descenso. 3. Siga tirando suavemente hasta sacar aproximadamente a 1 m (3 pies) de cable. Debe sentirse una resistencia constante mientras se extrae el cable.	<input type="checkbox"/>	<input type="checkbox"/>
Manivela manual de rescate integral de recuperación (Figura 19)	Inspeccione el brazo de la manivela (A) para comprobar que no haya ninguna deformación u otros desperfectos. Asegúrese de que el mango de recuperación (B) pueda plegarse y ajustarse en la posición de manivela.	<input type="checkbox"/>	<input type="checkbox"/>
	Asegúrese de que la perilla de cambio de recuperación (C) pueda sacarse hasta la posición de desbloqueo y luego liberarse, bloqueando el brazo de la manivela en las posiciones acoplada y desacoplada.	<input type="checkbox"/>	<input type="checkbox"/>
	Pruebe el funcionamiento adecuado del modo de recuperación elevando y bajando un peso de prueba de 34 kg (75 libras). Cuando se libere el mango de recuperación, el peso no debe moverse y el mango de recuperación debe permanecer en su sitio (sin moverse). Debería escucharse un sonido de "chasquido" cuando se eleve la carga.	<input type="checkbox"/>	<input type="checkbox"/>
<b>Acción correctora/mantenimiento:</b>		Aprobado por:	
		Fecha:	
<b>Acción correctora/mantenimiento:</b>		Aprobado por:	
		Fecha:	
<b>Acción correctora/mantenimiento:</b>		Aprobado por:	
		Fecha:	
<b>Acción correctora/mantenimiento:</b>		Aprobado por:	
		Fecha:	
<b>Acción correctora/mantenimiento:</b>		Aprobado por:	
		Fecha:	
<b>Acción correctora/mantenimiento:</b>		Aprobado por:	
		Fecha:	

## CONSIGNES DE SÉCURITÉ

**Veillez lire, comprendre et suivre toutes les consignes de sécurité contenues dans ces instructions avant d'utiliser ce dispositif de rappel automatique (Self-Retracting Device, SRD). LE NON-RESPECT DE CES INSTRUCTIONS PEUT CAUSER DES BLESSURES GRAVES OU LA MORT.**

**Ces instructions doivent être transmises à l'utilisateur de cet équipement. Conservez ces instructions pour vous y référer ultérieurement.**

### Utilisation prévue :

Ce dispositif de rappel automatique est conçu pour être utilisé comme élément d'un système antichute individuel complet.

Toute utilisation pour d'autres applications, y compris, mais sans s'y limiter, la manutention de matériaux, des activités de loisirs ou sportives, ou d'autres activités non décrites dans les instructions d'utilisateurs, n'est pas approuvée par 3M et pourrait entraîner des blessures graves ou mortelles.

Ce dispositif ne doit être utilisé que par des utilisateurs formés pour des applications sur le lieu de travail.

## ! AVERTISSEMENT

Ce dispositif de rappel automatique fait partie d'un système antichute individuel complet. Tous les utilisateurs doivent être solidement formés à l'installation et au fonctionnement sécurisés de leur système antichute individuel. **Une mauvaise utilisation de ce dispositif pourrait entraîner des blessures graves ou être mortelle.** Pour une sélection, un fonctionnement, une installation, une maintenance et un entretien corrects, suivez ces instructions d'utilisation, y compris toutes les recommandations du fabricant, consultez votre superviseur ou contactez les services techniques 3M.

- **Pour réduire les risques associés au travail avec un SDR qui, en l'absence de protection, pourraient entraîner des blessures graves ou mortelles :**
  - Avant chaque utilisation, inspectez le SRD et vérifiez le bon fonctionnement du verrouillage et de la rétractation.
  - Si l'inspection effectuée fait apparaître un défaut ou un danger, retirez immédiatement le dispositif du service et réparez-le ou remplacez-le en respectant les instructions d'utilisation.
  - Si le dispositif SRD a été soumis à une force antichute ou un impact, cessez immédiatement de l'utiliser et marquez-le comme « INUTILISABLE ».
  - Vérifiez que la ligne de vie ne rencontre aucun obstacle, notamment, mais sans s'y limiter, les enchevêtrements avec des machines ou des équipements en mouvement (par exemple, les mécanismes d'entraînement par le haut des plates-formes pétrolières), les autres ouvriers, vous-même, les objets à proximité ou les impacts d'objets situés en hauteur qui pourraient tomber sur la ligne de vie ou sur l'ouvrier.
  - Évitez tout relâchement de la ligne de vie. N'attachez pas et ne nouez pas la ligne de vie.
  - Attachez la ou les patte(s) inutilisée(s) du SRD monté sur le harnais au(x) système(s) de fixation du harnais s'il en dispose.
  - N'utilisez pas le dispositif pour des applications dont le chemin de chute comporte des obstacles. Le travail sur des matériaux qui se déplacent lentement, comme le sable ou le gravier, ou dans des espaces confinés ou encombrés, peut empêcher le travailleur d'atteindre une vitesse suffisante pour déclencher le verrouillage du SDR. Un environnement dégagé est indispensable pour assurer un verrouillage correct du SDR.
  - Évitez les mouvements soudains ou rapides lors des périodes de travail normales. Ils peuvent entraîner le verrouillage du dispositif.
  - Assurez-vous que les systèmes/sous-systèmes antichute assemblés avec des composants provenant de divers fabricants sont compatibles et respectent les exigences des normes applicables, y compris la norme ANSI Z359 ou d'autres codes, normes ou contraintes de protection contre les chutes. Consultez systématiquement une personne compétente et/ou qualifiée avant l'utilisation de ces systèmes.
- **Pour réduire les risques associés au travail en hauteur qui, faute de protection, peuvent entraîner des blessures graves ou mortelles :**
  - Assurez-vous que votre santé et votre condition physique vous permettent de supporter en toute sécurité les forces associées au travail en hauteur. Consultez votre médecin si vous avez des questions concernant votre aptitude à utiliser cet équipement.
  - Ne dépassez jamais les limites autorisées pour votre équipement antichute.
  - Ne dépassez jamais la distance de chute libre maximale de votre équipement antichute.
  - N'utilisez aucun équipement antichute qui n'a pas satisfait aux inspections avant utilisation ou aux autres inspections programmées, ou si vous avez des préoccupations concernant l'utilisation ou la compatibilité de l'équipement avec votre application. Contactez les services techniques de 3M si vous avez des questions.
  - Certaines combinaisons de sous-systèmes et de composants peuvent gêner le fonctionnement de cet équipement. Utilisez uniquement des raccords compatibles. Consultez 3M avant d'utiliser cet équipement conjointement avec des composants ou des sous-systèmes autres que ceux décrits dans les instructions d'utilisation.
  - Soyez particulièrement vigilant(e) lorsque vous travaillez autour des machines en mouvement (par exemple, les mécanismes d'entraînement par le haut des plates-formes pétrolières), en cas de risques électriques, de températures extrêmes, de risques chimiques, en présence de gaz explosifs ou toxiques, d'arêtes vives, ou de matériaux suspendus pouvant chuter sur vous ou sur l'équipement.
  - Utilisez des dispositifs de protection contre les arcs électriques ou conçus pour le travail à température élevée dans les environnements à chaleur intense.
  - Évitez les surfaces et les objets qui peuvent endommager l'utilisateur ou l'équipement.
  - Vérifiez que vous disposez d'une distance d'arrêt adaptée lorsque vous travaillez en hauteur.
  - Ne modifiez ni n'altérez jamais votre équipement antichute. Seul 3M ou les parties agréées par écrit par 3M peuvent réparer cet équipement.
  - Avant l'utilisation d'un équipement antichute, vérifiez qu'un plan de sauvetage est mis en place et qu'il permettra d'effectuer un sauvetage rapide si une chute se produit.
  - En cas de chute, faites immédiatement intervenir un médecin auprès du travailleur qui est tombé.
  - N'utilisez pas de ceinture de travail pour les applications de prévention antichute. Utilisez uniquement un harnais intégral.
  - Réduisez le risque d'effets pendulaires en travaillant autant que possible directement sous le point d'ancrage.
  - Lors de la formation à l'utilisation de ce dispositif, vous devez utiliser un système antichute secondaire afin de ne pas exposer la personne formée à un risque de chute involontaire.
  - Portez toujours un équipement de protection individuelle approprié lors de l'installation, de l'utilisation ou de l'examen du dispositif/système.



Avant d'utiliser cet équipement, consignez les informations d'identification du produit indiquées sur l'étiquette d'identification dans le « Journal d'inspection et d'entretien » qui se trouve au dos du présent manuel.

## DESCRIPTION :


La figure 2 identifie les composants clés des dispositifs antichute à rappel automatique (SRD) DBI-SALA Sealed-Blok. Les dispositifs antichute à rappel automatique Sealed-Blok sont des lignes de vie sous forme de câble enroulé autour d'un tambour (A), qui se rétractent dans un carter étanche en aluminium (B). Ils peuvent être suspendus à un ancrage à l'aide d'un mousqueton fixé en haut du dispositif de sécurité autorétractable au travers de l'œillet du tourillon. Un crochet mousqueton automatique (D) situé à l'extrémité de la ligne de vie est raccordé au point d'attache antichute désigné sur un harnais intégral. Une butée (E) protège le câble métallique et les bagues de l'abrasion et de la corrosion et bloque le crochet mousqueton.

La figure 1 illustre les modèles de dispositifs antichute à rappel automatique Sealed-Blok présentés dans ce manuel d'utilisation. Voici les types de dispositif antichute à rappel automatique disponibles :

- **Longe autorétractable (figure 2A) :** les longues autorétractables (SRL) sont conçues pour des applications où la ligne de vie reste généralement verticale lors de l'utilisation et une chute libre possible est limitée à 0,6 m (2 pi).
- **Longe autorétractable avec dispositif de sauvetage :** Les longues autorétractables avec dispositif de sauvetage incluent un moyen intégral pour un sauvetage assisté en relevant ou en abaissant la personne secourue. Les dispositifs RSRL sont équipés d'une manivelle de récupération d'urgence avec treuil (Figure 2B). Les dispositifs SRL-RSQ sont équipés d'un bouton de sauvetage/descente RSQ (Figure 2C). Certains modèles de sauvetage sont équipés des deux composants de sauvetage (Figure 2D). Certains modèles peuvent inclure un support de montage de trépied pour installer le dispositif SRL sur la jambe d'un trépied pour des applications dans un espace confiné.

### Tableau 2 – Spécifications

Les propriétaires de lignes de vie autorétractables Sealed-Blok FAST-Line portant une date de fabrication postérieure au 4 janvier 2015 ne sont plus obligés de renvoyer leurs lignes de vie autorétractables Fast-Line à Capital Safety pour recertification en cas de chute ou si le témoin de chute indique que le connecteur doit être remplacé. Remplacez simplement le câble et le connecteur/crochet via FAST-Line conformément au manuel d'entretien FAST-Line (5903076) et faites inspecter le matériel par une personne compétente.

 Fast-Line	Description de la ligne de vie	Mousqueton
3401403	15 m de câble en métal galvanisé de 4,76 mm, mousqueton tournant en acier plaqué à blocage automatique avec indicateur.	2000126
3401714	15 m de câble en métal inoxydable de 4,76 mm, œillet pivotant en acier inoxydable avec indicateur.	2100127
3900105	15 m de câble en métal galvanisé de 4,76 mm, mousqueton tournant en acier plaqué à blocage automatique avec indicateur.	2000180
3900106	15 m de câble en métal inoxydable de 4,76 mm, mousqueton tournant en acier plaqué à blocage automatique avec indicateur.	2000180
3900107	15 m de câble en métal inoxydable de 4,76 mm, mousqueton tournant en acier inoxydable à blocage automatique avec indicateur.	2000181
3900108	26 m de câble en métal galvanisé de 4,76 mm, mousqueton tournant en acier plaqué à blocage automatique avec indicateur.	2000180
3900109	26 m de câble en métal inoxydable de 4,76 mm, mousqueton tournant en acier plaqué à blocage automatique avec indicateur.	2000180
3900111	26 m de câble en métal inoxydable de 4,76 mm, mousqueton tournant en acier inoxydable à blocage automatique avec indicateur.	2000181
3900124	26 m de câble en métal inoxydable de 4,76 mm, œillet pivotant en acier inoxydable avec indicateur.	2100127
3900112	40 m de câble en métal galvanisé de 4,76 mm, mousqueton tournant en acier plaqué à blocage automatique avec indicateur.	2000180
3900113	40 m de câble en métal inoxydable de 4,76 mm, mousqueton tournant en acier plaqué à blocage automatique avec indicateur.	2000180
3900114	40 m de câble en métal inoxydable de 4,76 mm, mousqueton tournant en acier inoxydable à blocage automatique avec indicateur.	2000181
3900168	53 m de câble en métal galvanisé de 4,76 mm, mousqueton tournant en acier plaqué à blocage automatique avec indicateur.	2000180
3900169	53 m de câble en métal inoxydable de 4,76 mm, mousqueton tournant en acier plaqué à blocage automatique avec indicateur.	2000180
3900170	53 m de câble en métal inoxydable de 4,76 mm, mousqueton tournant en acier inoxydable à blocage automatique avec indicateur.	2000181

Mousqueton	Description	Matériau	Résistance de la fermeture	Taille d'ouverture
2000126	Mousqueton automatique à tourillon avec témoin de chute	Alliage d'acier	16 kN (1 633 kg, 3,600 lb)	1,9 m (75 po)
2000180	Crochet mousqueton autobloquant à émerillon avec témoin de chute	Alliage d'acier	16 kN (1 633 kg)	1,9 m (75 po)
2000181	Crochet mousqueton autobloquant à émerillon avec témoin de chute	Acier inoxydable	16 kN (1 633 kg)	1,9 m (75 po)
2100127	Œillet pivotant à témoin de chute	Acier inoxydable	—	2,5 cm (1 po) de dia.

<b>Boîtier :</b>	Boîtier étanche en aluminium
<b>Résistance à la traction de la ligne de vie à câble métallique :</b>	Acier galvanisé – Résistance minimale à la traction de 18,7 kN (4 200 lb) Acier inoxydable – Résistance minimale à la traction de 16,0 kN (3 600 lb)
<b>Force d'arrêt maximale :</b>	6 kN (1 350 lb)
<b>Force d'arrêt moyenne :</b>	4 kN (40 kg)
<b>Distance d'arrêt maximale :</b>	1,1 m (42 po)
<b>Vitesse de blocage moyenne :</b>	1,4 m/s (4,5 pi/s)
<b>Plage de vitesses en descente du système RSQ :</b>	0,6 à 0,9 m/s (2 à 3 pi/s)
<b>Distance d'arrêt minimale :</b>	1,8 m (6 pi) à 140 kg (310 lb)

## 1.0 APPLICATIONS

- 1.1 OBJECTIF :** les dispositifs de sécurité autorétractables (SRD) 3M sont conçus pour être utilisés comme des composants d'un équipement de protection individuelle (EPI) antichute. La figure 1 présente les SRD présentés dans ce manuel d'utilisation et leurs applications habituelles. Ils peuvent être utilisés dans la plupart des situations nécessitant à la fois la mobilité de l'ouvrier et sa protection contre les chutes (travail d'inspection, constructions diverses, entretien, production pétrolière, travail en espace confiné, etc.).
- 1.2 NORMES :** votre SRD est conforme aux normes nationales ou régionales présentées sur la page de couverture de ces instructions. Si ce produit est revendu en dehors du pays de destination d'origine, le revendeur doit fournir ces instructions dans la langue du pays où il sera utilisé.
- 1.3 FORMATION :** ce dispositif doit être utilisé par des personnes formées à sa mise en place et à son utilisation. L'utilisateur est tenu de se familiariser avec ces instructions et de suivre une formation pour entretenir et utiliser correctement les équipements. L'utilisateur doit également connaître les caractéristiques de fonctionnement, les limites d'application et les conséquences d'une utilisation inappropriée de cet équipement.
- 1.4. LIMITES :** vous devez toujours consulter les limites et exigences ci-dessous avant d'installer ou d'utiliser cet équipement :
- **Capacité :** la conformité de ce SRD a été testée pour une utilisation par une personne au poids combiné (vêtements, outils, etc.) de 59 kg (130 livres) à 140 kg (310 livres).<sup>1</sup> Vérifier que tous les éléments de votre système sont compatibles avec une capacité correspondant à votre application.
  - **Ancrage :** la structure de l'ancrage du SRD doit pouvoir supporter des charges allant jusqu'à 12 kN (1 223 kg). Les dispositifs d'ancrage doivent être conformes à la norme EN795.
  - **Vitesse de verrouillage :** les situations qui ne permettent pas un chemin de chute dégagé doivent être évitées. Travailler dans des espaces confinés ou restreints ne permet pas toujours au corps d'atteindre une vitesse suffisante pour que le SRD se verrouille en cas de chute. Travailler sur des matériaux légèrement instables, comme le sable ou le gravier, risque également de ne pas permettre une vitesse suffisante pour occasionner le verrouillage du SRD. Un environnement dégagé est indispensable pour assurer un verrouillage correct du SDR.
  - **Chute libre :** lorsqu'ils sont utilisés correctement, les SRD limitent la distance en chute libre à 61 cm (2 pi). Pour éviter toute augmentation de la distance de chute, ne pas travailler au-dessus du niveau du point d'ancrage. **Ne pas rallonger pas le SRD en reliant une longe ou un autre composant similaire sans consulter 3M.** Ne jamais pincer ni nouer la ligne de vie, et ne pas l'empêcher de se rétracter ou de se tendre. Éviter qu'il y ait du mou dans la ligne.
  - **Effets pendulaires :** les effets pendulaires se produisent lorsque le point d'ancrage ne se trouve pas directement au-dessus du point de chute. Heurter un objet pendant une chute pendulaire peut causer des blessures graves (voir la figure 3A). Réduire le risque d'effets pendulaires en travaillant autant que possible directement sous le point d'ancrage (figure 3B). Travailler loin du point d'ancrage (figure 3C) augmentera l'impact d'un effet pendulaire ainsi que la distance d'arrêt requise.
  - **Distance d'arrêt :** la figure 3B représente le calcul de la distance d'arrêt. La distance d'arrêt (Fall Clearance, FC) est la somme de la chute libre (Free Fall, FF), de la distance de décélération (Deceleration Distance, DD) et d'un facteur de sécurité (Safety Factor, SF) :  $FC = FF + DD + SF$ . Le D d'accrochage et le tendeur du harnais sont inclus dans le facteur de sécurité. Les valeurs de la distance d'arrêt ont été calculées et incluses dans la figure 4. Un facteur de sécurité de 1 m (3,28 pi) a été utilisé pour toutes les valeurs de la figure 4.
- Les figures 3B et 3C illustrent la distance d'arrêt. Pour les chutes se produisant à partir d'une position debout où le SRD est ancré directement au-dessus de la tête (figure 3B), les systèmes antichute du SRD doivent avoir les distances d'arrêt minimales spécifiées dans le tableau 1. Les chutes à partir d'une position à genoux ou accroupie nécessitent une distance d'arrêt supplémentaire de 1 mètre (3 pi). En effet pendulaire (figure 3C), la distance totale de chute verticale de l'utilisateur sera supérieure à celle d'une chute directe sous le point d'ancrage et peut nécessiter une distance d'arrêt supplémentaire. La figure 4 et le tableau joint définissent le rayon de la zone de travail maximum (C) pour différentes hauteurs d'ancrage (A) et distances d'arrêt (B) des SRD. La zone de travail recommandée est limitée à la zone située dans le rayon de la zone de travail maximum.
- **Risques :** l'utilisation de cet équipement dans un environnement à risque peut nécessiter des précautions supplémentaires pour réduire le risque de blessure ou de détérioration de l'équipement. Les risques comprennent, mais sans s'y limiter, la chaleur intense, les produits chimiques caustiques, les environnements corrosifs, les lignes à haute tension, les gaz explosifs ou toxiques, les engins en mouvement ou les matériaux situés au-dessus de la tête pouvant tomber et toucher l'utilisateur ou le dispositif antichute. Éviter de travailler dans les endroits où votre ligne de vie risque de se croiser ou de s'emmêler avec celle d'un autre ouvrier. Éviter de travailler dans les endroits où des objets peuvent tomber et heurter la ligne de vie, entraînant ainsi la perte d'équilibre ou l'endommagement de la ligne de vie. Ne pas laisser la ligne de vie passer sous vos bras ou entre vos jambes.
  - **Arêtes vives :** ne pas travailler dans les endroits où la ligne de vie risque d'entrer en contact avec des bords tranchants non protégés, ou de frotter contre ceux-ci. Aux endroits où le contact est inévitable, couvrir l'arête vive avec un matériau de protection.

## 2.0 UTILISATION

- 2.1 PLAN DE SAUVETAGE :** pour utiliser cet équipement, l'employeur doit disposer d'un plan de sauvetage et de moyens disponibles pour le mettre en place, et le communiquer aux utilisateurs, personnes agréées et sauveteurs.

<sup>1</sup> **Capacité :** Alors que les SRD CE ont une capacité maximale de 140 kg (310 livres), les SRD à récupération avec treuil ont une charge d'élévation maximale de 135 kg (298 livres).

- 2.2. FRÉQUENCE D'INSPECTION :** les SRD doivent être inspectés par la personne agréée<sup>1</sup> ou par le sauveteur<sup>2</sup> avant chaque utilisation (voir le tableau 2). De plus, les inspections doivent être effectuées par une personne compétente<sup>3</sup> autre que l'utilisateur à des intervalles d'un an maximum. Des conditions de travail extrêmes (environnement hostile, utilisation prolongée, etc.) peuvent nécessiter des inspections plus fréquentes par une personne compétente. Les procédures d'inspection sont décrites dans le « *Journal d'inspection et d'entretien* » (tableau 3). Les résultats de l'inspection par la personne compétente doivent être enregistrés dans le « *Journal d'inspection et d'entretien* » ou dans le système RFID (voir la section 5).
- 2.3 UTILISATION NORMALE :** l'utilisation normale permettra à la ligne de vie de s'allonger et de se rétracter de toute sa longueur sans difficulté ou relâchement pendant que le travailleur se déplace à une vitesse normale. En cas de chute, un système de freinage à détection de vitesse s'active, arrêtant la chute et absorbant la majorité de l'énergie générée. Éviter tout mouvement brusque ou rapide pendant une utilisation normale qui risquerait de verrouiller le SRD. Pour les chutes qui se produisent presque à la fin de la course de la ligne de vie, un système de réserve de ligne de vie ou un absorbeur d'énergie a été incorporé pour réduire les forces d'impact. Si le SRD a été soumis à des forces d'impact, le retirer du service, apposer la mention « INUTILISABLE », l'inspecter et l'entretenir conformément aux instructions figurant dans les sections 5 et 6.
- 2.4 HARNAIS DE MAINTIEN :** un harnais intégral doit être utilisé avec le dispositif de sécurité autorétractable. Le point de raccordement du harnais doit être situé au-dessus du centre de gravité de l'utilisateur. L'utilisation d'une ceinture de travail n'est pas autorisée avec le dispositif de sécurité autorétractable. En cas de chute, la ceinture de travail peut se relâcher accidentellement ou provoquer des traumatismes physiques dus à un support du corps insuffisant.
- 2.5 COMPATIBILITÉ DES COMPOSANTS :** sauf indication contraire, l'équipement 3M est destiné à être utilisé uniquement avec des composants et des sous systèmes agréés. La substitution ou le remplacement de pièces par des composants ou des sous-composants non approuvés peut compromettre la compatibilité de l'équipement et affecter la sécurité et la fiabilité de l'ensemble du système. Lire et suivre les instructions du fabricant des composants et des sous-systèmes associés au dispositif antichute individuel.
- 2.6 COMPATIBILITÉ DES CONNECTEURS :** les connecteurs sont considérés comme compatibles avec les éléments de raccordement lorsqu'ils ont été conçus de sorte que ni leur taille ni leur forme ne provoquent l'ouverture spontanée de leur mécanisme d'ouverture, quelle que soit leur orientation. Pour toute question concernant la compatibilité, contacter 3M. Les connecteurs utilisés pour suspendre le SRD doivent être conformes à la norme EN362. Les connecteurs doivent être compatibles avec l'ancrage ou tout autre composant du dispositif. Ne pas utiliser un équipement non compatible. Les connecteurs non compatibles peuvent se désengager accidentellement (voir la figure 4). Les connecteurs doivent être compatibles par leur taille, leur forme et leur résistance. Des mousquetons à verrouillage automatique et des mousquetons sont requis. Si l'élément de raccordement est doté d'un mousqueton trop petit ou de forme irrégulière, il se peut que l'élément de raccordement applique une force sur le mécanisme d'ouverture du mousqueton (A). Cette force pourrait entraîner l'ouverture du mécanisme (B) et provoquer le détachement du mousqueton de son point de raccordement (C).
- 2.7 RACCORDEMENT :** les mousquetons utilisés avec cet équipement doivent être à verrouillage automatique. Vérifier que toutes les connexions sont compatibles en taille, en forme et en résistance. Ne pas utiliser un équipement non compatible. Vérifier que tous les connecteurs sont bien fermés et verrouillés. Les connecteurs 3M (mousquetons) sont destinés à être utilisés uniquement selon les instructions de chacun des produits. La figure 5 montre quelques exemples de raccords inappropriés. Ne pas raccorder les mousquetons :
- A. à un D d'accrochage auquel un autre connecteur est attaché.
  - B. d'une manière qui provoquerait une charge sur l'ouverture. Les mousquetons à grande ouverture ne doivent pas être raccordés à des D d'accrochage de taille standard ou à des objets similaires qui provoqueraient une charge sur l'ouverture si le connecteur ou le D d'accrochage venait à tourner, sauf si le mousqueton est équipé d'une ouverture de 16 kN (3 600 livres). Vérifier le marquage sur votre mousqueton afin de s'assurer qu'il convient à votre application ;
  - C. dans une configuration défectueuse où des éléments dépassant du mousqueton s'accrochent à l'ancrage et où tout laisse à penser, sans être toutefois confirmé visuellement, que la fixation au point d'ancrage est correcte ;
  - D. l'un à l'autre ;
  - E. directement à la sangle ou à la longe ou au point d'ancrage (à moins que les instructions du fabricant de la longe et du connecteur n'autorisent un raccordement de ce type).
  - F. à un objet ayant une forme ou une dimension empêchant la fermeture et le verrouillage du mousqueton, ou risquant de provoquer un détachement ; ou
  - G. d'une manière qui ne permet pas le bon alignement du connecteur lorsqu'il est sous charge.

**Tableau 2 – Calendrier d'inspection**

Type d'utilisation	Exemples d'applications	Conditions d'utilisation	Fréquence d'inspection
			Personne compétente
Rare à légère	Opérations de sauvetage, travaux en espace confiné, maintenance d'installations industrielles	Bonnes conditions de stockage, utilisation en intérieur (rarement en extérieur), température ambiante, environnements propres	Une fois par an
Modérée à forte	Transport, construction d'habitations, services publics, entrepôts	Conditions de stockage correctes, utilisation en intérieur et en extérieur, toutes températures, environnements propres ou poussiéreux	Semestrielle à annuelle
Sévère à continue	Construction de bâtiments commerciaux, pétrole/gaz, industrie minière	Conditions de stockage difficiles, utilisation prolongée ou continue en extérieur, toutes températures, environnements sales	Trimestrielle à semestrielle

**1 Personne agréée :** personne désignée par l'employeur pour effectuer des tâches sur un site où elle sera exposée à un risque de chute.

**2 Sauveteur :** personne(s) autre(s) que la personne secourue, chargée(s) d'effectuer un sauvetage au moyen d'un équipement de sauvetage.

**3 Personne compétente :** une personne désignée par l'employeur comme responsable de la supervision immédiate, de la mise en œuvre et de la surveillance du programme de protection antichute de l'employeur. Grâce à sa formation et à ses connaissances, cette personne est capable de déceler, d'évaluer et de calculer les risques éventuels de chute. Enfin, l'employeur autorise cette personne à prendre des mesures correctrices en cas de problème.

## 3.0 Installation

- 3.1 PRÉPARATION :** Préparez le dispositif antichute avant de commencer à travailler. Prenez en compte tous les facteurs qui pourraient affecter la sécurité avant, pendant et après une chute. Prenez en considération toutes les exigences et limites définies dans le présent manuel.
- 3.2 ANCRAGE :** La Figure 7 illustre les connecteurs d'ancrage habituels du dispositif antichute à rappel automatique. L'ancrage (A) doit être situé directement au-dessus de l'utilisateur de manière à réduire les risques de chute libre ou à effet pendulaire (voir la Section 2). Choisissez un point d'ancrage rigide capable de supporter les charges statiques définies dans la Section 2.2. L'œillet du tourillon situé sur le dispositif antichute à rappel automatique est équipé d'un mousqueton (B). Accrochez le mousqueton directement à la structure d'ancrage (barre d'armature, cornière, etc.), à une fixation universelle (C) ou au point du connecteur d'ancrage (D).
- 3.3 FIXATION DU HARNAIS :** Un harnais de sécurité intégral doit être utilisé pour les applications antichute. Accrochez le crochet mousqueton (A) de la ligne de vie antichute à rappel automatique au D d'accrochage dorsal arrière (B) sur le harnais de sécurité intégral. (voir la figure 8). Dans certaines situations, comme l'escalade d'une échelle, il peut se révéler utile de l'accrocher au D d'accrochage frontal sternal. Se reporter aux instructions du fabricant du harnais pour connaître les détails relatifs aux points d'accrochage du harnais.
- 3.4 MONTAGE DU TRÉPIED :** La figure 9 illustre l'installation du dispositif antichute à rappel automatique Sealed-Blok avec manivelle de récupération sur un trépied DBI-SALA. Le dispositif SRD-R est installé sur un pied du trépied et la ligne de vie est acheminée via un système de poulie sur la tête du trépied :

**1. Fixer le support d'assemblage rapide au pied du trépied :** Monter le support d'assemblage rapide autour du tube supérieur du pied du trépied. Positionner le support d'assemblage rapide au moins 30 cm (12 po) au-dessus de la goupille de verrouillage sur le pied du trépied puis serrer les boulons de fixation à 20 Nm. Ne pas serrer excessivement les boulons.

*Ne jamais fixer le support d'assemblage rapide au tube inférieur (partie télescopique) du pied du trépied.*

- 2. Attacher le support d'assemblage du système antichute à rappel automatique au support d'assemblage rapide :** Positionner les encoches du support d'assemblage du système antichute à rappel automatique sur les embouts à rotule qui dépassent du support d'assemblage rapide, puis faire pivoter le système antichute à rappel automatique vers le pied du trépied jusqu'à ce que les orifices du support d'assemblage du système antichute à rappel automatique soient alignés sur ceux du support d'assemblage rapide. Insérer l'attache dans les orifices du support d'assemblage du système antichute à rappel automatique et du support d'assemblage rapide.
- 3. Acheminer la ligne de vie du système antichute à rappel automatique sur les poulies de montage de la tête du trépied :** retirer les deux broches de retenue de la tête de montage. Positionner le câble de la ligne de vie du système antichute à rappel automatique dans les deux poulies de la tête de montage. Remettre les deux broches de retenue dans la tête de montage.

## 4.0 FONCTIONNEMENT

*Les nouveaux utilisateurs ou les utilisateurs irréguliers doivent examiner les « Informations de sécurité » au début de ce manuel avant toute utilisation du dispositif antichute à rappel automatique (Self-Retracting Device, SRD).*

- 4.1 AVANT CHAQUE UTILISATION :** Avant chaque utilisation de cet équipement de protection antichute, effectuez une inspection minutieuse afin de vous assurer qu'il est en bon état de fonctionnement. Inspectez le matériel pour détecter toute pièce usée ou endommagée. Vérifiez que tous les boulons sont présents et serrés. Vérifiez que la ligne de vie se rétracte correctement en la tirant et en la laissant se rétracter lentement. En cas d'hésitation dans la rétraction, la mention « INUTILISABLE » doit être apposée au dispositif avant de le renvoyer à un centre de réparation agréé pour entretien. Inspectez la ligne de vie afin de détecter toutes traces de coupure, d'effilochage, de brûlure, d'écrasement et de corrosion. Vérifiez l'action de verrouillage en tirant brusquement sur la sangle. Reportez-vous à la section 5 pour plus d'informations concernant l'inspection. Ne pas utiliser l'équipement si l'inspection révèle un état peu sûr.
- 4.2 APRÈS UNE CHUTE :** Tout équipement ayant été soumis aux forces d'arrêt d'une chute ou qui présente des signes de détérioration correspondant aux effets de la force d'impact décrits dans la Section 5 doit être immédiatement mis hors service ; la mention « INUTILISABLE » doit être apposée au dispositif et ce dernier doit être inspecté et entretenu conformément aux indications des Sections 5 et 6.
- 4.3 HARNAIS DE MAINTIEN :** Il est impératif de porter un harnais intégral lors de l'utilisation des dispositifs antichute à rappel automatique. Pour une protection antichute générale, raccordez le système au D d'accrochage dorsal. Dans certaines situations, comme l'escalade d'une échelle, il peut se révéler utile de l'accrocher au D d'accrochage frontal sternal. Se reporter aux instructions du fabricant du harnais pour connaître les détails relatifs aux points d'accrochage du harnais.
- 4.4 RACCORDEMENT :** En cas d'utilisation d'un connecteur pour établir un raccordement, vérifiez qu'il n'y a pas de risque de retournement (voir la figure 5). Ne pas utiliser de crochets ou de connecteurs qui ne se ferment pas complètement sur l'élément de fixation. Ne pas utiliser de crochets mousquetons sans blocage. La surface de montage doit être conforme aux exigences de résistance d'ancrage indiquées à la section 2.2. Suivez les instructions du fabricant fournies avec chaque composant du système.
- 4.5 FONCTIONNEMENT :** Inspectez le dispositif antichute à rappel automatique, comme décrit dans la section 5.0. Raccordez le dispositif antichute à rappel automatique à un point d'ancrage ou à un connecteur d'ancrage approprié, comme indiqué précédemment. Raccordez le crochet mousqueton automatique situé à l'extrémité de la ligne de vie au D d'accrochage dorsal situé sur le harnais intégral (voir la figure 8). Vérifiez que toutes les fixations sont compatibles en matière de taille, de forme et de résistance. Vérifiez que le crochet est fermé et verrouillé. Une fois attaché, l'ouvrier est libre de circuler à l'intérieur de la zone de travail recommandée à une vitesse normale. Lors de l'utilisation d'un SRD, laissez toujours la ligne de vie se ré-enrouler dans le dispositif. Un câble stabilisateur peut être nécessaire pour dérouler ou rétracter la ligne de vie durant la connexion et la déconnexion. Un câble stabilisateur peut être utilisé pour empêcher la rétraction incontrôlée de la ligne de vie dans le dispositif antichute à rappel automatique. En fonction de l'environnement et des conditions de travail, il peut être nécessaire de retenir l'extrémité libre du câble stabilisateur afin d'éviter toute interférence ou tout enchevêtrement avec l'équipement ou les machines.
- 4.6 SÉLECTION DU MODE ANTICHUTE/DESCENTE RSQ™ :** Les systèmes antichute à rappel automatique à double mode DBI-SALA RSQ™ sont équipés d'un bouton permettant de sélectionner les modes de fonctionnement Antichute ou Descente du dispositif antichute à rappel automatique (Figure 10). Si le bouton de sélection RSQ est en mode « Antichute », le dispositif antichute à rappel automatique arrête la chute. Si le bouton de sélection RSQ est en mode « Descente », le dispositif antichute à rappel automatique descendra automatiquement l'utilisateur à un niveau inférieur en cas de chute. Pour sélectionner le mode Antichute ou Descente :
1. Tirer le bouton RSQ™ vers l'extérieur.
  2. Tourner le bouton de sélection RSQ™ jusqu'à ce que la flèche située sur sa surface pointe vers le mode Descente (A) ou le mode Antichute (B) et que le bouton de sélection RSQ™ soit orienté face à l'encoche (comme illustré à la Figure 10).

**Mode Descente RSQ :** En mode Descente, l'utilisateur descend automatiquement à un niveau inférieur en cas de chute.

**Mode Antichute RSQ :** En mode Antichute, le dispositif antichute à rappel automatique arrête la chute et l'utilisateur reste suspendu. La descente est activée et contrôlée grâce à la tirette du bouton de sélection RSQ™ ou à un outil facultatif de relâche du poteau d'extension (voir Figure 11) :

- **Tirette du bouton de sélection :** La figure 11 illustre le fonctionnement de la tirette du bouton de sélection. Pour désengager le mode Antichute et amorcer la descente, saisir la tirette et tirer sur le bouton de sélection (A). Pour arrêter la descente, relâcher la tirette pour réengager le mode Antichute (B). Pour engager complètement le mode Descente afin de continuer la descente sans tirer sur la tirette, tourner le bouton de sélection dans le sens contraire des aiguilles d'une montre (C) jusqu'à ce que la flèche située sur la surface du bouton pointe vers l'encoche de sélection Descente (voir la Figure 10).

*une force de tirage de 0,36 kN à 0,45 kN (80 lb à 100 lb) est nécessaire pour dégager le bouton de sélection RSQ™ du mode Antichute.*

- **Outil de relâche du poteau d'extension :** Insérer l'outil de relâche du poteau d'extension dans n'importe quelle direction, de telle sorte que l'extrémité des fourches de relâche entoure la base du bouton de sélection RSQ™, en dessous de la saillie moletée et de la tirette (voir la Figure 11D). Pour désengager le mode Antichute et commencer la descente, pousser vers l'avant sur le poteau d'extension jusqu'à ce que le bouton de sélection RSQ™ soit complètement logé entre les fourches de relâche. La descente continuera tant que la fourche de relâche n'est pas entièrement logée entre le bouton RSQ™ et le boîtier. En cas de retrait de la fourche de relâche, le dispositif peut se remettre en mode Antichute.

*La fourche de relâche située sur l'outil de relâche du poteau d'extension est aplatie pour permettre de pousser tout droit sur le bouton de sélection RSQ™ pour le faire sortir, en même temps que la fourche est poussée vers l'avant sur le bouton. Il n'est pas nécessaire de forcer le bouton avec le poteau d'extension. Cela risquerait de casser le bouton.*

*Les systèmes antichute à rappel automatique Sealed-Blok RSQ sont conçus pour arrêter les chutes et réaliser une descente en cas d'urgence ; ils ne peuvent être utilisés que pour une seule descente verticale. Si le système antichute à rappel automatique est utilisé pour une descente, il doit immédiatement être mis hors service et être envoyé à un centre de réparation agréé.*

**4.7 FONCTIONNEMENT EN CAS DE RÉCUPÉRATION :** La figure 12 illustre le fonctionnement de la manivelle de sauvetage intégral située sur le dispositif SRL-R avec récupération Sealed-Blok. Ne tentez pas d'utiliser la récupération avec la ligne de vie complètement rétractée. Pour activer le mode Récupération et utiliser la manivelle de sauvetage :

1. Desserrer la vis papillon de blocage pour libérer la manivelle.
2. Faire pivoter à 90° la poignée de récupération du corps du système antichute à rappel automatique.
3. Tirer et maintenir le bouton de verrouillage en position débloquée.
4. Pousser la manivelle et libérer le bouton de verrouillage pour la mettre en position engagée. Si nécessaire, tourner la manivelle dans le sens des aiguilles d'une montre afin de faciliter l'engagement.
5. Relevez et abaissez la ligne de vie, comme illustré à la figure 12 :
  - A. Pour relever : Tourner la manivelle dans le sens des aiguilles d'une montre.
  - B. Pour abaisser : Tourner la manivelle dans le sens inverse des aiguilles d'une montre. Après l'arrêt d'une chute, faire tourner doucement la manivelle dans le sens des aiguilles d'une montre pour libérer dans un premier temps le frein antichute, puis tourner la manivelle dans le sens inverse des aiguilles d'une montre.

*La manivelle de sauvetage intégral dont disposent les modèles SRL-R de récupération d'urgence avec treuil est uniquement destinée à des fins de sauvetage et ne doit pas être utilisée comme dispositif de positionnement ou de levage ou d'abaissement de matériaux.*

*Les dispositifs SRL-R DBI-SALA ne sont pas équipés d'un limiteur de surcharge pour restreindre la force exercée sur les composants d'entraînement et la personne attachée. Éviter tout relâchement de la corde pendant le processus de récupération. En outre, veiller à surveiller l'individu pendant la récupération afin de vérifier qu'il n'est pas soumis à une force excessive à la suite de l'élévation continue après un enchevêtrement en raison d'une obstruction.*

*Une charge minimale de 33,9 kg (75 lb) est requise pour abaisser ou laisser filer la ligne de vie. Une force de 0,13 kN (30 lb) est requise pour actionner le système de récupération lorsqu'il est chargé au maximum de sa capacité.*

*Arrêter la manivelle lorsque la ligne de vie est totalement déroulée ou rétractée. Ceci évitera d'endommager les composants.*

**4.8 DÉSENGAGEMENT SUITE À UNE RÉCUPÉRATION :** Pour désengager le mode Récupération :

*Lorsque le mode Récupération est désengagé, la ligne de vie déroulée se rétractera dans le système antichute à rappel automatique. Pour éviter de provoquer des blessures, rétracter la ligne de vie avant de procéder au désengagement ou accompagner la ligne de vie.*

1. Libérer toute charge de la ligne de vie.
2. Tirer et maintenir le bouton de verrouillage en position débloquée.
3. Tirer la manivelle pour désengager la ligne de vie puis libérer le bouton de verrouillage.
4. Tirer et tourner la poignée de récupération vers le bas (vers le corps de la longe auto-rétractable) jusqu'à sa position de rangement.

## 5.0 Inspection

**5.1 ÉTIQUETTE RFID :** Le dispositif antichute à rappel automatique comporte une étiquette d'identification par radiofréquence (RFID) (voir la figure 13). En liaison avec le lecteur portable et le portail Internet, l'étiquette RFID permet de simplifier l'inspection et le contrôle des stocks et de conserver les informations concernant votre équipement de protection antichute. Pour plus de détails, consultez un représentant du service à la clientèle de 3M (voir au verso). Suivez les instructions fournies sur le dispositif de lecture portable ou sur le portail Internet pour transférer les données sur votre journal Internet.

**5.2 FRÉQUENCE D'INSPECTION :** Le dispositif antichute à rappel automatique Sealed-Blok doit être inspecté aux intervalles définis à la Section 2 (Fréquence des inspections). Les procédures d'inspection sont décrites dans le « Journal d'inspection et d'entretien » (tableau 3).

Des conditions de travail extrêmes (environnement hostile, utilisation prolongée, etc.) peuvent nécessiter des inspections plus fréquentes.

**5.3 ÉTAT DANGEREUX OU DÉFECTUEUX :** Si l'inspection effectuée fait apparaître un défaut ou un danger, mettez immédiatement le dispositif antichute à rappel automatique hors service, apposez la mention « INUTILISABLE » et faites-le inspecter par une personne compétente pour déterminer les options possibles en matière de réparation.

Seule 3M ou les parties agréées en vertu d'un document écrit sont autorisées à effectuer des réparations autres que les remplacements de ligne de vie FAST-Line sur cet équipement.

**5.4 DURÉE DE VIE DU PRODUIT :** La durée de vie fonctionnelle des dispositifs antichute à rappel automatique DBI-SALA dépend des conditions de travail et de l'entretien. Le produit peut rester en service tant qu'il répond aux critères d'inspection.

## 6.0 ENTRETIEN, SERVICE ET STOCKAGE

**6.1 NETTOYAGE :** Les procédures de nettoyage du dispositif antichute à rappel automatique sont les suivantes :


- Nettoyez périodiquement l'extérieur du dispositif antichute à rappel automatique avec de l'eau et une solution savonneuse douce. Positionnez le dispositif antichute à rappel automatique de façon à ce que l'eau puisse s'écouler. Nettoyez les étiquettes si nécessaire.
- Nettoyez la ligne de vie avec de l'eau et une solution savonneuse douce. Rincez et faites sécher à l'air. Ne pas faire sécher à l'aide d'une source de chaleur. Une accumulation excessive de saleté, de peinture ou d'autres contaminants peut empêcher la ligne de vie de se rétracter complètement dans le carter, entraînant un risque de chute libre. Remplacez la ligne de vie en cas d'accumulation excessive.

**6.2 RÉPARATION :** Les remplacements de lignes de vie FAST-Line sur site peuvent être effectués par une Personne compétente<sup>1</sup>. Reportez-vous à la figure 1 pour voir le kit de remplacement de ligne de vie FAST-Line requis. Installez la ligne de vie conformément aux instructions indiquées dans le Manuel d'entretien (5903076) livré avec le kit FAST-Line. Toujours faire inspecter complètement le matériel par une Personne compétente après le remplacement de la ligne de vie FAST-Line. Des réparations complémentaires, en fonction des conclusions de l'inspection faite par la Personne compétente, doivent être réalisées par un centre de réparation agréé. Ne pas essayer de démonter le dispositif antichute à rappel automatique ou de lubrifier quelque composant que ce soit.

**6.3 STOCKAGE ET TRANSPORT :** Transportez et rangez le dispositif antichute à rappel automatique dans un endroit frais, propre et sec, à l'abri de la lumière directe du soleil. Éviter les endroits pouvant contenir des vapeurs chimiques. Inspectez soigneusement le SRD après toute période de stockage prolongée.

## 7.0 Étiquettes

La Figure 20 illustre les étiquettes apposées sur les dispositifs antichute à rappel automatique Sealed-Blok et leur emplacement. Toutes les étiquettes doivent être présentes sur le dispositif antichute à rappel automatique. Les étiquettes doivent être remplacées si elles ne sont pas parfaitement lisibles. Les informations présentes sur chaque étiquette sont les suivantes :

	Lire toutes les instructions.
<b>A</b>	Longueur de la ligne de vie (Hauteur de levage maximale)
<b>B C</b>	1) Raccord dispositif antichute adéquat pour le dispositif antichute à rappel automatique. 2) Plage de températures d'utilisation : De -40 °C à +60 °C. 3.1) Accrochez systématiquement le dispositif antichute à rappel automatique au dessus du niveau de votre tête. 3.2) Ne jamais accrocher le dispositif antichute à rappel automatique en dessous du point d'ancrage dorsal arrière du harnais. 4) Capacité maximale : 140 kg <sup>B</sup> /135 kg <sup>C</sup> . 5) Inspectez le mousqueton et le témoin de chute. 6) Inspectez le verrouillage du dispositif antichute à rappel automatique. Un bruit audible doit se faire entendre lors du verrouillage du dispositif antichute à rappel automatique. 7) Ne pas charger le dispositif antichute à rappel automatique sur une arête. 7) Inspecter le témoin de chute du mousqueton. Ne pas utiliser le dispositif antichute à rappel automatique en cas d'indication d'un impact. 9) Contrôlez la ligne de vie pendant qu'elle se ré-enroule dans le dispositif antichute à rappel automatique. 10) Risque d'effet pendulaire. L'angle de la ligne de vie doit être quasiment vertical. 11.1) N'effectuez pas de réparation. 11.2) Les opérations d'entretien et de réparation doivent être exclusivement effectuées par une personne agréée par 3M. 12) Entrez le matériel dans un endroit frais, sec et propre, à l'abri de la lumière directe du soleil. 13) Ne pas utiliser le matériel si la bandelette de la ligne de vie de réserve est visible. 14) Ne pas enlever les étiquettes. Les étiquettes doivent être présentes et parfaitement lisibles. 15) Hauteur de descente maximale 16) Point de raccordement du système d'ancrage secondaire pour les objets qui tombent 17) Mois et année de fabrication, Numéro de lot, Numéro de modèle 18) Longueur de la ligne de vie (Hauteur de levage maximale). 19) Lire le Manuel d'entretien FAST-Line (5903076). 20) Opération de récupération : <b>A</b> Desserrer la vis papillon de blocage. <b>B</b> Tourner la manivelle de récupération vers le haut. <b>C</b> Tirer et maintenir le bouton de verrouillage. <b>D</b> Pousser la manivelle et libérer le bouton de verrouillage. Si nécessaire, tourner doucement la manivelle dans le sens des aiguilles d'une montre pour faciliter l'engagement. Tourner la manivelle dans le sens inverse des aiguilles d'une montre pour lever. Tourner la manivelle dans le sens des aiguilles d'une montre pour abaisser. <b>E</b> Libérer le bouton de verrouillage pour bloquer la manivelle.
<b>D</b>	Ce produit est activé par radio-identification (RFID), il contient une puce électronique pouvant être lue par des lecteurs compatibles et il est capable de fournir les historiques d'inspection, la gestion des inventaires et d'autres informations de sécurité.
<b>E F</b>	A) Numéro de série B) Numéro de modèle C) Date de fabrication D) Numéro de lot E) Dates d'entretien
<b>G</b>	Pour abaisser : Tourner légèrement la manivelle dans le sens inverse des aiguilles d'une montre pour libérer le frein antichute, puis tournez la manivelle dans le sens des aiguilles d'une montre. Pour lever : Tourner la manivelle dans le sens inverse des aiguilles d'une montre. Charge de levage maximale : 135 kg
<b>H I</b>	Tirer sur le bouton de sélection RSQ et le tourner jusqu'à ce que la flèche du bouton pointe vers le mode voulu : <b>D</b> Dispositif de descente, <b>E</b> antichute

**1 Personne compétente :** une personne désignée par l'employeur comme responsable de la supervision immédiate, de la mise en œuvre et de la surveillance du programme de protection contre les chutes de l'employeur. Grâce à sa formation et à ses connaissances, cette personne est capable de déceler, d'évaluer et de calculer les risques éventuels de chute. Enfin, l'employeur autorise cette personne à prendre des mesures correctrices en cas de problème.

**Tableau 3 – Journal d’inspection et d’entretien**

<b>Numéro(s) de série :</b>		<b>Date d’achat :</b>	
<b>Numéro du modèle :</b>		<b>Date de la première utilisation :</b>	
<b>Inspection par :</b>		<b>Date d’inspection :</b>	

<b>Composant :</b>	<b>Inspection :</b>	<b>Avant chaque utilisation</b>	<b>Personne compétente</b>
SRD (Figure 14)	Vérifiez la présence de boulons desserrés et de pièces pliées ou endommagées.	<input type="checkbox"/>	<input type="checkbox"/>
	Inspectez le carter (A) pour détecter des déformations, fissures ou autres détériorations.	<input type="checkbox"/>	<input type="checkbox"/>
	Inspectez l’émérillon (B) à la recherche d’une déformation, de fissures ou d’autres détériorations. L’émérillon doit être fermement fixé au système de sécurité autorétractable, mais doit tourner librement.	<input type="checkbox"/>	<input type="checkbox"/>
	La ligne de vie (C) doit se dérouler et se rétracter entièrement sans difficulté et sans qu’il y ait de mou dans la ligne.	<input type="checkbox"/>	<input type="checkbox"/>
	Vérifiez que le dispositif se bloque lorsque la ligne de vie est secouée violemment. Le blocage doit être franc, sans aucun glissement. REMARQUE : Les systèmes antichute à rappel automatique sont dotés d’un RSQ doivent être en mode Antichute pour ce test (voir la Figure 8).	<input type="checkbox"/>	<input type="checkbox"/>
	Les étiquettes du dispositif doivent être présentes et entièrement lisibles (voir « <i>Étiquetage</i> »).	<input type="checkbox"/>	<input type="checkbox"/>
	Inspectez l’équipement à la recherche de traces de corrosion.	<input type="checkbox"/>	<input type="checkbox"/>
Crochet mousqueton à émerillon et témoin de chute (Figure 15)	Inspecter le crochet mousqueton à émerillon pour y détecter des signes de détérioration ou de corrosion et vérifier son fonctionnement. Le tourillon doit pivoter librement. Inspectez le témoin de chute. Si la bandelette rouge est visible (mode indiqué), un impact de charge a eu lieu et le système antichute à rappel automatique doit être mis hors service et inspecté. Ne pas tenter de réinitialiser l’indicateur d’impact. Renvoyer le système antichute à rappel automatique à un centre de réparation agréé. REMARQUE : L’émérillon ne tourne pas librement lorsque le témoin de chute est en mode indiqué.	<input type="checkbox"/>	<input type="checkbox"/>
	<input checked="" type="checkbox"/> <b>La marque FAST-Line est synonyme de GARANTIE À VIE :</b> Si la bandelette rouge de l’indicateur d’impact du mousqueton à émerillon est visible (Mode indiqué) ; contactez 3M concernant la réparation ou l’entretien par un centre de réparation agréé, ou remplacez la ligne de vie FAST-Line conformément aux instructions du « <i>manuel d’entretien du kit de remplacement de ligne de vie FAST-Line (5903076)</i> » et faites inspecter le matériel par une personne compétente.	<input type="checkbox"/>	<input type="checkbox"/>
Ligne de vie à câble métallique FAST-Line (Figure 16)	Inspecter le câble métallique pour détecter des coupures, pliures, cassures, nids de fils brisés, éclaboussures de soudage, corrosion, zones ayant été en contact avec des produits chimiques ou sérieusement érodées. Faites glisser la butée de câble vers le haut et inspectez les bagues pour détecter des fissures ou des dégradations, puis inspectez les câbles pour vérifier l’absence de corrosion ou de câbles brisés. Le câble métallique doit être remplacé si six fils ou plus sont cassés à divers endroits sur un commettage, ou si trois fils ou plus sont cassés sur un toron sur le même commettage. Un « commettage » de câble métallique correspond à la longueur de câble nécessaire pour permettre à un toron (le groupe de câbles le plus grand) de faire un tour le long du câble. Remplacez le câble en cas de déchirures à moins de 25 mm (1 po) des bagues.	<input type="checkbox"/>	<input type="checkbox"/>
	<input checked="" type="checkbox"/> <b>La marque FAST-Line signifie GARANTIE À VIE :</b> Si l’inspection réalisée lors de l’étape précédente révèle la nécessité de procéder à un remplacement de la ligne de vie ; contactez 3M concernant la réparation ou l’entretien par un centre de réparation agréé, ou remplacez la ligne de vie FAST-Line conformément aux instructions du « <i>manuel d’entretien du kit de remplacement de ligne de vie FAST-Line (5903076)</i> » et faites inspecter le matériel par une personne compétente.	<input type="checkbox"/>	<input type="checkbox"/>
Réserve de câble (Figure 17)	Inspecter le défilement de la ligne de vie de réserve. En cas d’arrêt de chute avec presque la totalité de la ligne de vie déroulée, la ligne de réserve peut avoir été déployée. Tirer la ligne de vie hors du dispositif antichute à rappel automatique jusqu’à son arrêt. Si le bouton d’arrêt (A) sort et devient visible, alors la ligne de vie de réserve a été complètement utilisée et la ligne de vie doit être remplacée.	<input type="checkbox"/>	<input type="checkbox"/>
	<input checked="" type="checkbox"/> <b>La marque FAST-Line signifie GARANTIE À VIE :</b> Si l’inspection réalisée lors de l’étape précédente révèle la nécessité de procéder à un remplacement de la ligne de vie ; contactez 3M concernant la réparation ou l’entretien par un centre de réparation agréé, ou remplacez la ligne de vie FAST-Line conformément aux instructions du « <i>manuel d’entretien du kit de remplacement de ligne de vie FAST-Line (5903076)</i> » et faites inspecter le matériel par une personne compétente.	<input type="checkbox"/>	<input type="checkbox"/>
Composants du RSQ (Figure 18)	Un test manuel de traction doit être effectué sur les composants RSQ™ avant chaque utilisation : 1. Mettre le bouton de sélection RSQ en mode Descente (Schéma 4). 2. Saisir la ligne de vie et tirer fermement pour enclencher le mécanisme de descente. 3. Continuer à tirer doucement environ 1 mètre (3 pi) de câble. Une résistance devrait se faire sentir en tirant sur le câble.	<input type="checkbox"/>	<input type="checkbox"/>
Manivelle de sauvetage intégral pour récupération (Figure 19)	Inspecter la manivelle (A) pour détecter les déformations ou autres détériorations. Vérifier que la poignée de récupération (B) peut être repliée et être fixée en position de rotation.	<input type="checkbox"/>	<input type="checkbox"/>
	Vérifier que le bouton de verrouillage de récupération (C) peut être tiré en position de déblocage puis relâché, bloquant la manivelle en positions engagée et désengagée.	<input type="checkbox"/>	<input type="checkbox"/>
	Tester la fonction de récupération pour vérifier son bon fonctionnement en soulevant et en abaissant un poids de test d’au moins 34 kg (75 lb). Lorsque la poignée de récupération est libérée, le poids ne doit pas bouger et la poignée de récupération doit rester en position (aucun mouvement). On doit entendre un « clic » distinct lorsqu’on élève la charge.	<input type="checkbox"/>	<input type="checkbox"/>

<b>Mesures correctives/entretien :</b>	Approuvé par :
	Date :
<b>Mesures correctives/entretien :</b>	Approuvé par :
	Date :
<b>Mesures correctives/entretien :</b>	Approuvé par :
	Date :
<b>Mesures correctives/entretien :</b>	Approuvé par :
	Date :
<b>Mesures correctives/entretien :</b>	Approuvé par :
	Date :
<b>Mesures correctives/entretien :</b>	Approuvé par :
	Date :

## IT INFORMAZIONI SULLA SICUREZZA

**Leggere, comprendere e seguire tutte le informazioni sulla sicurezza contenute nelle presenti istruzioni prima di utilizzare questo dispositivo autoretrattile (Self-Retracting Device, SRD). IL MANCATO RISPETTO DELLE ISTRUZIONI PUÒ CAUSARE GRAVI LESIONI PERSONALI O MORTE.**

**Fornire le presenti istruzioni all'utente dell'attrezzatura. Conservare queste istruzioni come riferimento in futuro.**

### Uso previsto:

Questo dispositivo autoretrattile deve essere utilizzato come parte di un sistema di protezione anticaduta personale completo.

L'utilizzo per qualsiasi altra applicazione incluse, ma non solo, manipolazione di materiale, attività correlate ricreative o sportive oppure altre attività non descritte nelle istruzioni per l'utente, non è approvato da 3M e può causare gravi lesioni personali o morte.

Il presente dispositivo deve essere utilizzato esclusivamente da utenti addestrati nelle applicazioni relative all'ambito di lavoro.

## ! AVVERTENZA

Questo dispositivo autoretrattile fa parte di un sistema di protezione anticaduta personale. Si prevede, pertanto, che tutti gli utenti siano completamente addestrati all'installazione e al funzionamento sicuri del loro sistema di protezione anticaduta personale. **L'uso improprio del presente dispositivo può comportare gravi lesioni personali o morte.** Per le modalità corrette di selezione, funzionamento, installazione, manutenzione e assistenza, consultare le presenti istruzioni per l'utente e anche tutte le raccomandazioni fornite dal produttore; altrimenti rivolgersi al proprio supervisore o contattare l'assistenza tecnica di 3M.

- **Per ridurre i rischi associati all'utilizzo di un SRD che, se non evitati, potrebbero causare gravi lesioni personali o morte:**
  - Prima di ciascun uso, ispezionare l'SRD e controllare che il bloccaggio e la retrazione funzionino idoneamente.
  - Se, a seguito dell'ispezione, viene individuata una condizione di non sicurezza o difetto, dismettere il dispositivo e ripararlo o sostituirlo secondo le istruzioni per l'utente.
  - Se l'SRD è stato soggetto a una forza d'arresto caduta o di impatto, metterlo immediatamente fuori servizio ed etichettarlo come "INUTILIZZABILE".
  - Assicurarsi che la fune dispositivo sia libera da tutte le eventuali ostruzioni inclusi, ma non solo, l'aggravamento con macchinari o attrezzature in movimento (ad es. il top drive delle torri di perforazione), altri lavoratori, il lavoratore che la utilizza, gli oggetti circostanti, oppure dalla possibilità di impatto con oggetti sospesi che potrebbero cadere sulla fune dispositivo o sul lavoratore.
  - Non permettere che si creino allentamenti della fune dispositivo. non legare o annodare la fune dispositivo.
  - Attaccare le gambe inutilizzate dell'SRD montato su imbracatura agli attacchi per ferma cordino dell'imbracatura, se esistenti.
  - Non utilizzare in applicazioni in cui la traiettoria di caduta libera sia ostruita. Lavorare su materiale a lento spostamento, come sabbia o sementi, o in spazi stretti o bloccati, può impedire che il lavoratore raggiunga una velocità sufficiente a bloccare l'SRD. È necessaria una traiettoria sgombra per garantire l'efficacia dell'arresto dell'SRD.
  - Evitare movimenti improvvisi o rapidi durante le normali attività lavorative. Ciò può causare il blocco del dispositivo.
  - Assicurarsi che i sistemi/sottosistemi di protezione anticaduta assemblati con componenti realizzati da produttori diversi siano compatibili e soddisfino i requisiti degli standard applicabili, inclusi ANSI Z359 o altri codici, standard o requisiti relativi alla protezione anticaduta pertinenti. Consultare sempre un persona competente e/o qualificata prima di utilizzare questi sistemi.
- **Per ridurre i rischi associati al lavoro in altezza che, se non evitati, potrebbero causare gravi lesioni personali o morte:**
  - Assicurarsi che le proprie condizioni fisiche e di salute permettano una resistenza in completa sicurezza a tutte le forze associate al lavoro in altezza. Consultare il proprio medico in caso di domande relative alla propria capacità d'uso di questa attrezzatura.
  - Non superare mai la capacità consentita della propria attrezzatura di protezione anticaduta.
  - Non superare mai la distanza massima di caduta libera della propria attrezzatura di protezione anticaduta.
  - Non utilizzare mai un'attrezzatura di protezione anticaduta che non abbia superato l'ispezione prima dell'uso o altri controlli programmati oppure in caso di dubbi sull'uso o sull'idoneità dell'attrezzatura in merito all'applicazione. Per eventuali domande, contattare l'assistenza tecnica di 3M.
  - Alcune combinazioni di sottosistemi e componenti potrebbero compromettere il funzionamento di questa attrezzatura. Utilizzare solo collegamenti compatibili. Consultare 3M prima di utilizzare questa attrezzatura in combinazione con componenti o sottosistemi diversi da quelli descritti nelle presenti istruzioni per l'utente.
  - Prestare particolare attenzione in presenza di macchinari in movimento (ad es., il top drive delle torri di perforazione), rischi di carattere elettrico, temperature estreme, rischi di carattere chimico, gas esplosivi o tossici, bordi taglienti oppure al di sotto di materiali sospesi che potrebbero cadere sull'utente o sulla sua attrezzatura di protezione anticaduta.
  - Utilizzare dispositivi Arc Flash o Hot Works quando si lavora in ambienti che presentano temperature elevate.
  - Evitare superfici e oggetti che possano danneggiare l'utente o l'attrezzatura.
  - Durante il lavoro in altezza assicurarsi che ci sia un tirante d'aria di caduta adeguato.
  - Non modificare o alterare mai la propria attrezzatura di protezione anticaduta. Solo 3M o centri con autorizzazione scritta di 3M possono procedere alla riparazione dell'attrezzatura.
  - Prima di utilizzare l'attrezzatura di protezione anticaduta, assicurarsi che esista un piano di salvataggio che permetta un salvataggio immediato nel caso in cui si verifichi un incidente.
  - In caso di incidente, fare in modo che il lavoratore caduto sia sottoposto immediatamente alle cure di un medico.
  - Non utilizzare una cintura in vita per applicazioni di arresto caduta. Utilizzare esclusivamente un'imbracatura integrale.
  - Ridurre al minimo le cadute con pendolo lavorando il più possibile direttamente sotto il punto di ancoraggio.
  - Durante la formazione con questo dispositivo, deve essere utilizzato un sistema di protezione anticaduta secondario in modo da non esporre l'utente a un pericolo di caduta involontario.
  - Quando si installa, utilizza o ispeziona il dispositivo/sistema, indossare sempre i dispositivi di protezione individuale idonei.



Prima di utilizzare l'attrezzatura, registrare le informazioni di identificazione del prodotto dall'etichetta identificativa nel "Registro di ispezione e manutenzione" che si trova sul retro del presente manuale.

## DESCRIZIONE:

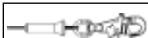
la Figura 2 identifica i componenti principali dei dispositivi autoretrattili Sealed-Blok DBI-SALA. Gli SRD Sealed Blok sono funi dispositivo metalliche avvolte su un tamburo (A) che si ritraggono in un alloggiamento di alluminio sigillato (B). Pendono da un ancoraggio mediante un moschettone fissato sulla parte superiore dell'SRD tramite l'occhiello girevole (C). Un gancio a scatto autobloccante (D) posto sull'estremità della fune dispositivo è fissato al connettore designato per l'arresto caduta sull'imbracatura integrale. Un paraurti (E) protegge il filo metallico e gli anelli evitando abrasioni e corrosione del gancio a scatto.

La Figura 1 illustra i modelli dell'SRD Sealed-Blok trattati nel presente manuale di istruzioni. Sono disponibili i seguenti tipi di SRD:

- **Cordino autoretrattile (figura 2A):** i cordini autoretrattili (Self-Retracting Lanyard, SRL) sono idonei per applicazioni in cui la fune dispositivo rimane in genere in posizione verticale durante il suo uso e la possibilità di caduta libera è limitata a 0,6 m (2 piedi).
- **Cordino autoretrattile con salvataggio:** i cordini autoretrattili con salvataggio includono un mezzo integrale per il salvataggio assistito durante il sollevamento o l'abbassamento del soggetto a rischio. Gli SRL sono dotati di manovella manuale di recupero di emergenza a 3 vie (Figura 2B). Gli SRL-RSQ sono dotati di una manopola di salvataggio/discesa RSQ (Figura 2C). Alcuni modelli di salvataggio sono dotati di entrambi i componenti di salvataggio (Figura 2D). Alcuni modelli includono una staffa di montaggio per treppiede per montare il dispositivo anticaduta retrattile sulla gamba di un treppiede per applicazioni in spazi confinati.

**Tabella 2 - Specifiche**

*I proprietari di dispositivi anticaduta retrattili Sealed Blok con sistema FAST-Line riportanti una data di produzione successiva al 4 gennaio 2015 non devono più rispedire i loro dispositivi anticaduta retrattili con sistema FAST-Line a Capital Safety per la ricertificazione in seguito a caduta o se l'indicatore di caduta segnala che il connettore deve essere sostituito. È sufficiente sostituire il cavo e il connettore mediante FAST-Line come indicato nel Manuale di manutenzione FAST-Line (5903076) e far eseguire un'ispezione da una persona competente.*

 FAST-Line	Descrizione della fune dispositivo	Connettore
3401403	15 m (50 piedi) di fune metallica galvanizzata da 4,76 mm (3/16 pollici), moschettone girevole ricoperto in acciaio autobloccante con indicatore.	2000126
3401714	15 m (50 piedi) di fune metallica in acciaio inossidabile da 4,76 mm (3/16 pollici), occhiello girevole in acciaio inossidabile con indicatore.	2100127
3900105	15 m (50 piedi) di fune metallica galvanizzata da 4,76 mm (3/16 pollici), gancio girevole ricoperto in acciaio autobloccante con indicatore.	2000180
3900106	15 m (50 piedi) di fune metallica in acciaio inossidabile da 4,76 mm (3/16 pollici), gancio girevole ricoperto in acciaio autobloccante con indicatore.	2000180
3900107	15 m (50 piedi) di fune metallica in acciaio inossidabile da 4,76 mm (3/16 pollici), gancio girevole in acciaio inossidabile autobloccante con indicatore.	2000181
3900108	26 m (85 piedi) di fune metallica galvanizzata da 4,76 mm (3/16 pollici), gancio girevole ricoperto in acciaio autobloccante con indicatore.	2000180
3900109	26 m (85 piedi) di fune metallica in acciaio inossidabile da 4,76 mm (3/16 pollici), gancio girevole ricoperto in acciaio autobloccante con indicatore.	2000180
3900111	26 m (85 piedi) di fune metallica in acciaio inossidabile da 4,76 mm (3/16 pollici), gancio girevole in acciaio inossidabile autobloccante con indicatore.	2000181
3900124	26 m (85 piedi) di fune metallica in acciaio inossidabile da 4,76 mm (3/16 pollici), occhiello girevole in acciaio inossidabile con indicatore.	2100127
3900112	40 m (130 piedi) di fune metallica galvanizzata da 4,76 mm (3/16 pollici), gancio girevole ricoperto in acciaio autobloccante con indicatore.	2000180
3900113	40 m (130 piedi) di fune metallica in acciaio inossidabile da 4,76 mm (3/16 pollici), gancio girevole ricoperto in acciaio autobloccante con indicatore.	2000180
3900114	40 m (130 piedi) di fune metallica in acciaio inossidabile da 4,76 mm (3/16 pollici), gancio girevole in acciaio inossidabile autobloccante con indicatore.	2000181
3900168	53 m (175 piedi) di fune metallica galvanizzata da 4,76 mm (3/16 pollici), gancio girevole ricoperto in acciaio autobloccante con indicatore.	2000180
3900169	53 m (175 piedi) di fune metallica in acciaio inossidabile da 4,76 mm (3/16 pollici), gancio girevole ricoperto in acciaio autobloccante con indicatore.	2000180
3900170	53 m (175 piedi) di fune metallica in acciaio inossidabile da 4,76 mm (3/16 pollici), gancio girevole in acciaio inossidabile autobloccante con indicatore.	2000181

Connettore	Descrizione	Materiale	Resistenza chiusura	Distanza tra i bracci
2000126	Moschettone girevole autobloccante con indicatore di caduta	Lega di acciaio	16 kN (3600 libbre)	1,9 m (3/4 pollici)
2000180	Gancio girevole autobloccante con indicatore di caduta	Lega di acciaio	16 kN (3600 libbre)	1,9 m (3/4 pollici)
2000181	Gancio girevole autobloccante con indicatore di caduta	Acciaio inossidabile	16 kN (3600 libbre)	1,9 m (3/4 pollici)
2100127	occhiello girevole con indicatore di caduta	Acciaio inossidabile	—	2,5 cm (1 pollice) diametro

<b>Custodia:</b>	Custodia in alluminio sigillata
<b>Resistenza a trazione del filo metallico di sicurezza:</b>	Acciaio zincato Resistenza a trazione minima 18,7 kN (4200 libbre). Acciaio inossidabile Resistenza a trazione minima 16,0 kN (3600 libbre).
<b>Forza di arresto massima:</b>	6 kN (1350 libbre)
<b>Forza di arresto media:</b>	4 kN (900 libbre)
<b>Distanza di arresto massima:</b>	1,1 m (42 pollici)
<b>Velocità di chiusura media:</b>	1,4 m/s (4,5 piedi/s)
<b>Campo di velocità di discesa RSQ:</b>	0,6 - 0,9 m/s (2-3 piedi/s)
<b>Tirante d'aria di caduta minimo:</b>	1,8 m (6 piedi) a 140 kg (310 libbre)

## 1.0 APPLICAZIONI

- 1.1 FINALITÀ:** i dispositivi autoretrattili (SRD) 3M sono ideati per far parte di un sistema di protezione anticaduta. La Figura 1 illustra gli SRD trattati in questo manuale di istruzioni e le loro applicazioni tipiche. Possono essere utilizzati nella maggior parte delle situazioni in cui sia necessario assicurare sia la mobilità del lavoratore sia la protezione anticaduta (lavoro di ispezione, costruzioni, manutenzione, produzione petrolifera, lavoro in spazi confinati e così via).
- 1.2 STANDARD:** l'SRD è conforme agli standard nazionali segnalati nella copertina di queste istruzioni. Se l'articolo viene rivenduto al di fuori del Paese di destinazione originario, il rivenditore dovrà fornire le presenti istruzioni nella lingua del Paese in cui dovrà essere utilizzato l'articolo.
- 1.3 FORMAZIONE:** l'attrezzatura deve essere utilizzata da operatori adeguatamente addestrati per il suo corretto impiego ed uso. È responsabilità dell'utente garantire l'approfondimento delle presenti istruzioni e la formazione in merito alla corretta manutenzione e all'utilizzo dell'attrezzatura. L'utente deve inoltre essere a conoscenza delle caratteristiche operative, dei limiti di applicazione e delle conseguenze derivanti da un uso improprio.
- 1.4 LIMITAZIONI:** considerare sempre le seguenti limitazioni e i seguenti requisiti durante l'installazione o l'utilizzo del dispositivo:

- **Capacità:** questo SRD è stato collaudato ed è risultato conforme per essere utilizzato da una persona con un peso combinato (abbigliamento, utensili e così via) da 59 kg (130 libbre) a 140 kg (310 libbre).<sup>1</sup> Verificare che tutti i componenti del sistema siano stati omologati per sostenere una capacità conforme all'applicazione.
- **Ancoraggio:** la struttura di ancoraggio per l'SRD deve essere in grado di sostenere carichi fino a 12 kN (2.697 libbre). I dispositivi di ancoraggio devono essere conformi alla normativa EN795.
- **Velocità di arresto:** evitare situazioni che non consentano una traiettoria di caduta libera. Lavorare in spazi stretti o bloccati potrebbe impedire il raggiungimento della velocità di arresto adeguata dell'SRD in caso di caduta. Lavorare su materiali a lento spostamento, come sabbia o sementi, potrebbe impedire il raggiungimento della velocità di arresto adeguata per bloccare l'SRD. È necessaria una traiettoria sgombra per garantire l'efficacia dell'arresto dell'SRD.
- **Caduta libera:** se utilizzati correttamente, gli SRD limitano la distanza di caduta libera a 61 cm (2 piedi). Per evitare incrementi nelle distanze di caduta, non lavorare al di sopra del livello di ancoraggio. **Non allungare gli SRD collegando un cordino o un componente simile senza aver consultato 3M.** Non bloccare, annodare o ostacolare mai la fune dispositivo nel movimento retrattile o nella tensione. Evitare che la fune sia lasca.
- **Cadute con pendolo:** le cadute con pendolo si verificano quando il punto di ancoraggio non è esattamente al di sopra del punto in cui si verifica la caduta. La forza d'urto contro un oggetto durante una caduta con pendolo può causare lesioni gravi (vedere la Figura 3A). Ridurre al minimo le cadute con pendolo lavorando il più possibile direttamente sotto il punto di ancoraggio (Figura 3B). Lavorare lontano dal punto di ancoraggio (Figura 3C) aumenterà l'impatto di una caduta con pendolo e aumenterà il tirante d'aria di caduta (Fall Clearance, FC) richiesto.
- **Tirante d'aria di caduta:** la Figura 3B mostra il calcolo del tirante d'aria di caduta. Il tirante d'aria di caduta (FC) è la somma della caduta libera (Free Fall, FF), la distanza di decelerazione (DD) e il fattore di sicurezza (Safety Factor, SF):  $FC = FF + DD + SF$ . Nel fattore di sicurezza sono inclusi lo scorrimento dell'anello a D e il cedimento dell'imbracatura. I valori del tirante d'aria di caduta sono stati calcolati e riportati nella Figura 4. Per tutti i valori della Figura 4 è stato utilizzato un fattore di sicurezza di 1 m (3,28 piedi).

Le Figure 3B e 3C illustrano un tirante d'aria di caduta. Per cadute da una posizione eretta dove l'SRD è ancorato direttamente al di sopra della testa (Figura 3B), i sistemi d'arresto caduta dell'SRD devono avere i tiranti d'aria di caduta minimi specificati nella Tabella 1. Per le cadute da posizione inginocchiata o accovacciata, sarà necessario prevedere 1 m (3 piedi) in più di tirante d'aria di caduta. In caso di caduta con pendolo (Figura 3C), lo spazio di caduta verticale totale sarà maggiore rispetto a una caduta direttamente al di sotto del punto di ancoraggio e potrebbe essere necessario un tirante d'aria di caduta aggiuntivo. La Figura 4 e la relativa tabella definiscono il raggio di lavoro massimo (C) per diverse altezze di ancoraggio dell'SRD (A) e tiranti d'aria di caduta (B). La zona di lavoro raccomandata è limitata all'area ubicata entro il raggio di lavoro massimo.

- **Rischi:** l'utilizzo di questa attrezzatura in aree soggette a pericoli dell'ambiente circostante può richiedere precauzioni aggiuntive per ridurre la possibilità di lesioni per l'utente o danni all'attrezzatura. Tra i rischi possono essere compresi i seguenti, pur non limitandosi a questi: calore elevato, sostanze chimiche caustiche, ambienti corrosivi, linee ad alta tensione, gas tossici o esplosivi, macchinari in movimento o materiali sospesi che possono cadere ed entrare in contatto con l'utente o con il sistema d'arresto caduta. Evitare di lavorare in punti in cui la propria fune dispositivo potrebbe incrociarsi o aggrovigliarsi con quello di un altro lavoratore. Evitare di lavorare in luoghi dove potrebbero cadere degli oggetti e colpire la fune dispositivo, causando perdita di equilibrio o danni alla fune stessa. Non permettere alla fune dispositivo di passare sotto le braccia o tra le gambe.
- **Bordi taglienti:** evitare di operare in posizioni in cui la fune dispositivo potrebbe entrare in contatto con o essere raschiata da bordi taglienti esposti. Se il contatto con un bordo tagliente è inevitabile, rivestire il bordo con materiale protettivo.

## 2.0 USO

- 2.1 PIANO DI SALVATAGGIO:** durante l'utilizzo della presente attrezzatura, l'utente deve disporre di un piano di salvataggio, nonché dei mezzi per implementarlo. Deve inoltre comunicare tale piano a utenti, persone autorizzate e soccorritori.
- 2.2 FREQUENZA DI ISPEZIONE:** prima di ogni uso, gli SRD devono essere ispezionati dalla persona autorizzata<sup>2</sup> o dal soccorritore<sup>3</sup> (vedere la Tabella 2). Inoltre, le ispezioni devono essere condotte con periodicità non superiore a un anno da una

<sup>1</sup> **Capacità:** mentre gli SRD CE hanno una capacità massima di 140 kg (310 libbre), gli SRD con recupero a 3 vie sono omologati per carico di sollevamento massimo di 135 kg (298 libbre).

<sup>2</sup> **Persona autorizzata:** una persona incaricata dal datore di lavoro di svolgere delle mansioni in un luogo in cui la persona sarà esposta a pericolo di caduta.

<sup>3</sup> **Soccorritore:** persona o persone diverse dal soggetto a rischio che agiscono per compiere un salvataggio assistito tramite il funzionamento di un sistema di salvataggio.

persona competente<sup>1</sup> che non sia l'utente. Condizioni di lavoro estreme (ambiente proibitivo, uso prolungato e così via) possono richiedere ispezioni più frequenti da parte della persona competente. Le procedure di ispezione sono descritte nella sezione "Registro di ispezione e manutenzione" (Tabella 3). I risultati dell'ispezione effettuata da una persona competente devono essere registrati nella sezione "Registro di ispezione e manutenzione" o registrati con il sistema RFID (vedere la Sezione 5).

- 2.3 NORMALE FUNZIONAMENTO:** il normale funzionamento consentirà alla fune dispositivo di estendersi e ritirarsi senza esitazioni o senza allentamenti durante il movimento del lavoratore a velocità normali. Qualora si verificasse una caduta, si attiverà un sistema di frenata con sensore di velocità arrestando la caduta e assorbendo la maggior parte dell'energia creata. Sono da evitare movimenti rapidi o improvvisi durante le normali operazioni lavorative, poiché ciò può causare la chiusura dell'SRD. Per le cadute in prossimità della fine della corsa della fune dispositivo, è stato incorporato un assorbitore d'energia o un sistema con fune dispositivo di riserva per ridurre le forze d'arresto caduta. Se l'SRD è stato soggetto a forze d'arresto caduta: metterlo immediatamente fuori servizio, contrassegnarlo o etichettarlo come "INUTILIZZABILE", eseguire un'ispezione e la manutenzione seguendo le istruzioni riportate nelle Sezioni 5 e 6.
- 2.4 SUPPORTO PER IL CORPO:** utilizzare un'imbracatura integrale con il dispositivo retrattile. Il punto di collegamento dell'imbracatura deve trovarsi al di sopra del centro di gravità dell'utente. L'uso di una cintura in vita non è autorizzato con il dispositivo retrattile. In caso di caduta quando si utilizza una cintura in vita, è possibile che si verifichi il rilascio involontario o un trauma fisico causato dall'uso di supporto per il corpo non adeguato.
- 2.5 COMPATIBILITÀ DEI COMPONENTI:** salvo laddove diversamente indicato, l'attrezzatura 3M è progettata solo per l'utilizzo con componenti e sottosistemi approvati da 3M. Eventuali sostituzioni con componenti o sottosistemi non approvati potrebbero compromettere la compatibilità dell'attrezzatura, nonché la sicurezza e l'affidabilità di tutto il sistema. Seguire le istruzioni del produttore per i componenti e i sottosistemi in dotazione nel sistema d'arresto caduta personale utilizzato.
- 2.6 COMPATIBILITÀ DEI CONNETTORI:** i connettori sono considerati compatibili con gli elementi di collegamento quando sono progettati per essere utilizzati in modo che le rispettive forme e dimensioni non causino l'apertura involontaria dei meccanismi di chiusura, indipendentemente dal modo in cui si orientano. In caso di dubbi sulla compatibilità, contattare 3M.

I connettori utilizzati per la sospensione dell'SRD devono essere conformi alla normativa EN362. I connettori devono essere compatibili con l'ancoraggio o altri componenti del sistema. Non utilizzare attrezzatura non compatibile. I connettori non compatibili potrebbero sganciarsi involontariamente (vedere la Figura 4). I connettori devono essere compatibili per dimensioni, forma e potenza. I ganci a doppia leva e i moschettoni autobloccanti sono obbligatori. Se l'elemento di collegamento a cui è agganciato un gancio a doppia leva o un moschettone ha una forma irregolare o le dimensioni sono inferiori a quanto necessario, l'elemento di collegamento potrebbe applicare una forza al dispositivo di chiusura del gancio a doppia leva o del moschettone (A). Tale forza potrebbe indurre l'apertura del dispositivo di chiusura (B) e, di conseguenza, il gancio a doppia leva o il moschettone potrebbe sganciarsi dal punto di collegamento (C).

- 2.7 REALIZZAZIONE DEI COLLEGAMENTI:** i ganci a doppia leva e i moschettoni utilizzati con questa attrezzatura devono disporre di un meccanismo di autobloccaggio. Assicurarsi che tutti i connettori siano di dimensioni, forma e resistenza compatibili. Non utilizzare attrezzatura non compatibile. Assicurarsi che tutti i connettori siano completamente chiusi e bloccati. I connettori 3M (ganci a doppia leva e moschettoni) sono progettati solo per l'utilizzo specificato nelle istruzioni per l'utente di ciascun articolo. Vedere la Figura 5 per esempi di collegamenti non appropriati. Non collegare i ganci a doppia leva e i moschettoni:
- A. A un anello a D a cui è collegato un altro connettore.
  - B. In modo tale da indurre un carico sul dispositivo di chiusura. Non collegare ganci a doppia leva con ampia distanza tra i bracci ad anelli a D di dimensioni standard oppure oggetti simili in modo da indurre un carico sul dispositivo di chiusura in caso di torsione o rotazione del gancio o dell'anello a D, a meno che il gancio a doppia leva non sia dotato di dispositivo di chiusura da 16 kN (3.600 libbre). Controllare la marcatura sul proprio gancio a doppia leva per verificarne l'idoneità per l'applicazione prevista.
  - C. In un falso aggancio, dove gli elementi che sporgono dal gancio a doppia leva o dal moschettone si agganciano all'ancoraggio e senza conferma visiva che attesti il completo aggancio al punto di ancoraggio.
  - D. L'uno all'altro.
  - E. Direttamente al cordino con fune o con nastro o con collegamento diretto, a meno che le istruzioni del produttore relative al cordino e al connettore non consentano specificatamente tale collegamento.
  - F. A qualsiasi oggetto di forma o dimensione tale da impedire la chiusura e il blocco del gancio a doppia leva o del moschettone o da causare lo sganciamento.
  - G. In un modo che non consenta al connettore di allinearsi correttamente quando sotto carico.

**Tabella 2 - Programma di ispezione**

Tipo di utilizzo	Esempi applicativi	Condizioni d'uso	Frequenza di ispezione
			Persona competente
Da non frequente a leggero	Recupero e spazio limitato, manutenzione in fabbrica	Buone condizioni di stoccaggio, utilizzo in ambiente chiuso o aperto non frequente, temperatura ambiente, ambienti puliti	Annuale
Da moderato a pesante	Trasporti, edilizia residenziale, pubblica utilità, magazzino	Condizioni di stoccaggio adeguate, utilizzo in ambienti chiusi e all'esterno per un periodo di tempo prolungato, differenti temperature, ambienti più o meno puliti	Da semestrale a annuale
Da grave a continuo	Edilizia commerciale, petrolio e gas, attività mineraria	Condizioni di stoccaggio estreme, utilizzo in ambienti aperti prolungato o continuo, differenti temperature, ambienti sporchi	Da trimestrale a semestrale

**1 Persona competente:** individuo designato dal datore di lavoro come responsabile della diretta supervisione, implementazione e monitoraggio del piano di protezione dalle cadute dei dipendenti. Individuo che, grazie a formazione e conoscenza, è in grado di individuare, valutare e affrontare i pericoli di caduta potenziali ed esistenti e che ha l'autorizzazione del datore di lavoro di mettere prontamente in atto azioni correttive nei confronti di tali pericoli.

## 3.0 Installazione

- 3.1 PIANIFICAZIONE:** pianificare il sistema di protezione anticaduta prima di iniziare i lavori. Considerare tutti i fattori che possono influire sulla propria sicurezza prima, durante e dopo una caduta. Prendere in considerazione tutti i requisiti e le limitazioni definiti nel presente manuale.
- 3.2 ANCORAGGIO:** la Figura 7 mostra le connessioni di ancoraggio per il cavo SRL tipico. L'ancoraggio (A) deve essere direttamente al di sopra per minimizzare i rischi di caduta libera e di caduta con pendolo (vedere sezione 2). Selezionare un punto di ancoraggio rigido capace di sostenere i carichi statici come descritto nella Sezione 2.2. L'occhiello girevole sul dispositivo anticaduta retrattile è dotato di un moschettone (B). Attaccare il moschettone direttamente alla struttura di ancoraggio (tondini a barre, angolare in ferro, ecc.), a un adattatore per connessione (C) o a un punto di connessione di ancoraggio (D).
- 3.3 CONNESSIONE CON IMBRACATURA:** per applicazioni di arresto caduta è necessaria un'imbracatura integrale. Connettere il connettore a doppia leva del cavo di sicurezza SRL all'attacco dorsale a D dell'imbracatura integrale. (Vedere Figura 8). Per i casi di salita su scale, può essere utile collegare con l'anello a D sternale anteriore. Consultare le istruzioni del produttore dell'imbracatura per dettagli sull'uso dei punti di connessione dell'imbracatura.
- 3.4 MONTAGGIO SU TREMPIEDE:** la Figura 9 illustra l'installazione del dispositivo autoretrattile Sealed-Blok con manovella manuale di recupero su un treppiede DBI-SALA. Il dispositivo SRD-R è montato su una gamba del treppiede e la fune dispositivo è instradata tramite un sistema di pulegge sulla testa del treppiede:

**1. Assicurare la staffa di fissaggio rapido sulla gamba del treppiede:** montare la staffa di fissaggio rapido attorno al tubo superiore della gamba del treppiede. Posizionare la staffa di fissaggio rapido ad almeno 30 cm. (12 pollici) sopra il perno di blocco sulla gamba del treppiede e poi serrare i bulloni di fissaggio a 20 Nm (15 piedi-libbre). Non stringere eccessivamente i bulloni.

*Non montare mai la staffa di fissaggio rapido sul tubo inferiore (a telescopio) della gamba del treppiede.*

- 2. Assicurare la staffa di montaggio SRL sulla staffa di fissaggio rapido:** posizionare le tacche della staffa di montaggio SRL sopra le estremità delle aste che sporgono dalla staffa di fissaggio rapido e poi guidare la SRL verso la gamba del treppiede finché i fori della staffa di montaggio SRL non siano allineati con i fori della staffa di fissaggio rapido. Inserire il perno di montaggio nei fori della staffa di montaggio SRL e della staffa di fissaggio rapido.
- 3. Guidare il cavo di sicurezza SRL sopra le pulegge di montaggio sulla testa del treppiede:** togliere i due perni di ritenuta dalla testa di montaggio. Posizionare il cavo di sicurezza nelle scanalature delle due pulegge di montaggio sulla testa. Inserire di nuovo i perni di ritenuta nella testa di montaggio.

## 4.0 FUNZIONAMENTO

*Coloro che utilizzano per la prima volta i dispositivi autoretrattili (SRD) o non li utilizzano di frequente devono rivedere le "Informazioni sulla sicurezza" all'inizio di questo manuale prima di utilizzare l'SRD.*

- 4.1 PRIMA DI OGNI USO:** prima di utilizzare l'attrezzatura anticaduta, ispezionarla attentamente per verificare che sia in condizioni idonee all'uso. Controllare che non vi siano parti usurate o danneggiate. Assicurarsi che tutti i bulloni siano presenti e ben fissati. Verificare che la fune dispositivo si riavvolga correttamente tirandola e lasciando che si riavvolga lentamente. In caso di esitazione durante la fase di ritrazione, l'unità deve essere contrassegnata come "INUTILIZZABILE" e rimandata a un centro manutenzioni autorizzato per la manutenzione. Verificare l'assenza di tagli, sfilacciature, bruciature, schiacciamenti e corrosioni. Controllare l'azione di bloccaggio tirando fermamente il cavo. Per maggiori dettagli sull'ispezione, consultare la Sezione 5. Se l'ispezione rivela una condizione non sicura, non utilizzare l'attrezzatura.
- 4.2 DOPO UNA CADUTA:** qualsiasi attrezzatura che è stata sottoposta alle forze collegate all'arresto di caduta o che mostri danni coerenti con l'effetto delle forze di arresto caduta, come descritto nella sezione 5, deve essere immediatamente ritirata dalla manutenzione, marcata come "INUTILIZZABILE", ispezionata e sottoposta a manutenzione come disposto nelle sezioni 5 e 6.
- 4.3 SUPPORTO PER IL CORPO:** quando si utilizzano i dispositivi autoretrattili, indossare un'imbracatura completa. Per usi generali di protezione anticaduta, connettere l'attacco dorsale a D. Per i casi di salita su scale, può essere utile collegare con l'anello a D sternale anteriore. Consultare le istruzioni del produttore dell'imbracatura per dettagli sull'uso dei punti di connessione dell'imbracatura.
- 4.4 REALIZZAZIONE DEI COLLEGAMENTI:** quando si utilizza un gancio per fare una connessione, verificare che non vi siano fuoriuscite (vedere la Figura 5). Non utilizzare ganci o connettori che non si chiudono completamente sopra gli oggetti da agganciare. Non utilizzare ganci a doppia leva privi di bloccaggio. La superficie di montaggio deve soddisfare i requisiti di forza dell'ancoraggio riportati nella sezione 2.2. Rispettare le istruzioni fornite dal produttore con ogni componente del sistema.
- 4.5 FUNZIONAMENTO:** ispezionare l'SRD come descritto nella sezione 5.0. Collegare l'SRD a un ancoraggio o connettore d'ancoraggio adatto, come descritto in precedenza. Collegare il connettore a doppia leva autobloccante sull'estremità del cavo di sicurezza all'attacco dorsale a D dell'imbracatura integrale (vedere figura 8). Verificare che le connessioni siano compatibili per dimensioni, forma e resistenza. Assicurarsi che il gancio sia perfettamente chiuso e bloccato. Una volta attaccato, l'operatore è libero di spostarsi all'interno dell'area di lavoro consigliata a velocità normale. Quando si lavora con un dispositivo SRD, consentire sempre al cavo di sicurezza di riavvolgersi nel dispositivo sotto controllo. Può essere necessario un cavo di controvento per estendere o ritrarre la fune dispositivo durante le operazioni di connessione e disconnessione. Un cavo di controvento può essere usato per prevenire una ritrazione incontrollata della fune dispositivo nell'SRD. A seconda dell'ambiente e delle condizioni di lavoro, può essere necessario trattenere l'estremità libera del cavo di controvento per evitare grovigli o interferenze con altre attrezzature o macchinari.
- 4.6 SELEZIONE MODALITÀ ARRESTO CADUTA/DISCESA RSQ™:** i dispositivi anticaduta retrattili Dual-Mode RSQ™ DBI-SALA sono equipaggiati con una manopola RSQ per effettuare una selezione tra le modalità operative Arresto caduta o Discesa dell'SRL (vedere Figura 10). Se la manopola di selezione RSQ è impostata su "Arresta caduta", l'SRL arresterà la caduta. Se la manopola di selezione RSQ è impostata su "Discesa", l'SRL scenderà automaticamente a un livello inferiore quando avviene una caduta. Per selezionare la modalità Arresto caduta o Discesa:
1. Tirare la manopola di innesto RSQ™ verso l'esterno.
  2. Ruotare la manopola d'innesto fino a quando la freccia sul lato frontale della manopola punta la modalità Discesa (A) o Arresto caduta (B) e la manopola d'innesto RSQ™ scatta in posizione con un clic insieme alla tacca di selezione (come illustrato in figura 10).

**Modalità di discesa RSQ:** nella modalità di discesa, l'utilizzatore scende automaticamente a un livello inferiore quando avviene una caduta.

**Modalità di Arresto caduta RSQ:** nella modalità di Arresto caduta, l'SRD arresta la caduta e l'utilizzatore resta sospeso. La discesa viene attivata e controllata con l'anello tenditore della manopola d'innesto RSQ™ o con uno strumento opzionale di rilascio prolunga (vedere figura 11):

- **Anello tenditore della manopola innesto:** la figura 11 illustra l'azione dell'anello tenditore della manopola d'innesto. Per disinnestare la modalità Arresto caduta e cominciare la discesa, afferrare l'anello tenditore e tirare completamente verso l'esterno la manopola di innesto (A). Per arrestare la discesa: rilasciare l'anello tenditore e innestare di nuovo la modalità Arresto caduta (B). Per innestare completamente la modalità Discesa affinché la discesa continui senza dover tirare l'anello tenditore, ruotare la manopola di innesto in senso antiorario (C) fino a quando la freccia sul lato frontale della manopola non punti la tacca di selezione Discesa (vedere figura 10).

*Occorre una forza di trazione compresa tra 0,36 e 0,45 kN (80-100 libbre) per rilasciare la manopola di innesto RSQ™ dalla modalità Arresto caduta.*

- **Strumento di rilascio prolunga:** inserire lo strumento di rilascio della prolunga da qualsiasi direzione affinché le estremità delle forche di rilascio circondino la base della manopola di innesto RSQ™ al di sotto della punta del pomello e dell'anello tenditore (vedere figura 11D). Per disinnestare la modalità Arresto caduta e avviare la discesa, spingere in avanti sulla prolunga fino a quando la manopola di innesto RSQ™ è inserita completamente nella forca di rilascio. La discesa continua fino a quando la forca di rilascio è collocata completamente tra la manopola di innesto RSQ™ e l'alloggiamento. La rimozione della forca di rilascio può provocare il reinnesco della modalità Arresto caduta.

*La forca di rilascio sullo strumento di rilascio della prolunga è a punta conica per spingere fuori con decisione la manopola di innesto RSQ™ quando la forca viene spinta in avanti sulla manopola. Non è necessario forzare la manopola con la prolunga. Eventuali forzature potrebbero causare la rottura della manopola.*

*I dispositivi anticaduta retrattili RSQ Sealed-Blok sono progettati esclusivamente per arresto caduta e discesa in caso di emergenza e possono essere utilizzati soltanto per un'unica discesa verticale. Se l'SRL viene utilizzato per la discesa, metterlo immediatamente fuori servizio e inviarlo a un centro manutenzioni autorizzato per la riparazione.*

**4.7 OPERAZIONE DI RECUPERO:** la Figura 12 illustra l'azione della manovella manuale di salvataggio integrale nel cordino SRL-R di recupero Sealed-Blok. Non provare ad azionare il recupero con la fune dispositivo completamente ritratta. Per attivare la modalità di recupero e usare la manovella manuale di salvataggio:

1. Allentare le vite ad alette di blocco per rilasciare il braccio della manopola.
2. Ruotare l'impugnatura di recupero verso l'alto di 90° rispetto al dispositivo SRL.
3. Tirare e tenere ferma la manopola di regolazione in posizione non bloccata.
4. Per innestarlo, spingere il braccio della manovella e rilasciare la manopola di regolazione. Se necessario, ruotare il braccio della manovella in senso orario per aiutare a innestare l'ingranaggio.
5. Alzare e abbassare la fune dispositivo come mostrato nella figura 12:
  - A. Per sollevare: ruotare il braccio della manovella in senso orario.
  - B. Per abbassare: ruotare il braccio della manovella in senso antiorario. Dopo l'arresto caduta; dapprima ruotare leggermente la manovella in senso orario per rilasciare il freno di arresto caduta, ruotarla poi in senso antiorario.

*La manovella di salvataggio integrata nei modelli SRL-R di recupero d'emergenza a 3 vie è utilizzabile unicamente in caso di salvataggio e non per il posizionamento sul lavoro o per il sollevamento/l'abbassamento di materiale.*

*Gli SRL-R DBI-SALA non comprendono una frizione da sovraccarico per limitare la forza applicata ai componenti di azionamento e alla persona appesa. Evitare che il cavo sia lasco in modalità di recupero. Inoltre, verificare che durante il recupero la persona non sia sottoposta a una forza eccessiva a causa del sollevamento continuato in seguito all'aggravamento su un ostacolo.*

*Un carico minimo di 33,9 kg (75 libbre) è necessario per abbassare o rilasciare la fune dispositivo. È necessaria una forza di 0,13 kN (30 libbre) per azionare il sistema di recupero alla massima capacità di carico.*

*Smettere di girare la manovella quando la fune dispositivo è completamente estesa o ritratta. Continuare a girare la manovella può danneggiare i componenti.*

**4.8 DISINNESTO RECUPERO:** per disinnestare la modalità di recupero:

*Quando viene disinnestata la modalità di recupero, qualsiasi fune dispositivo estesa verrà ritratta nell'SRL. Per evitare possibili lesioni, ritrarre la fune dispositivo prima del disinnesto o tenerla stretta.*

1. Rimuovere qualsiasi carico dalla fune dispositivo.
2. Tirare e tenere ferma la manopola di regolazione in posizione non bloccata.
3. Disimpegnare il braccio della manovella per disinnestarlo e poi rilasciare la manopola di regolazione.
4. Disimpegnare e ruotare in basso l'impugnatura di recupero verso il dispositivo SRL in posizione di stivaggio.

## 5.0 Ispezione

**5.1 ETICHETTA RFID:** il dispositivo autoretrattile comprende un'etichetta di identificazione a radiofrequenza (RFID) (vedere Figura 13). L'etichetta RFID può essere usata con il dispositivo manuale di lettura e il portale web sia per semplificare l'ispezione e il controllo dell'inventario, sia per fornire informazioni sull'attrezzatura di protezione anticaduta. Per i dettagli, consultare un rappresentante del Servizio clienti 3M (vedere la terza di copertina). Seguire le istruzioni fornite con il dispositivo portatile di lettura o nel portale Web per trasferire i dati nel proprio registro Web.

**5.2 FREQUENZA DI ISPEZIONE:** il dispositivo autoretrattile Sealed-Blok deve essere ispezionato agli intervalli definiti nella Sezione 2 (Frequenza di ispezione). Le procedure di ispezione sono descritte nella sezione "Registro di ispezione e manutenzione" (tabella 3).

Condizioni di lavoro estreme (ambienti proibitivi, uso prolungato ecc.) possono richiedere un incremento nella frequenza dei controlli.

**5.3 CONDIZIONI DI NON SICUREZZA O DIFETTO:** se l'ispezione rivela una condizione di non sicurezza o difettosa, rimuovere immediatamente il dispositivo autoretrattile dal servizio, contrassegnarlo come "INUTILIZZABILE" e far eseguire un'ispezione da una persona competente per stabilire le opzioni di manutenzione.

Solo 3M o le parti autorizzate per iscritto possono effettuare riparazioni diverse dalla sostituzione della fune dispositivo FAST-Line su questa apparecchiatura.

**5.4 VITA DEL PRODOTTO:** la vita di funzionamento dei dispositivi autoretrattili DBI-SALA è determinata dalle condizioni di lavoro e dalla manutenzione. L'articolo può rimanere in servizio finché è in grado di soddisfare i criteri di ispezione.

## 6.0 MANUTENZIONE, ASSISTENZA E STOCCAGGIO

**6.1 PULIZIA:** le procedure di pulizia del dispositivo autoretrattile sono le seguenti:


- Pulire periodicamente l'esterno dell'SRD utilizzando una soluzione a base di acqua e sapone neutro. Posizionare l'SRD in modo che l'acqua in eccesso possa essere espulsa. Pulire le etichette secondo necessità.
- Pulire la fune dispositivo con una soluzione a base di acqua e sapone neutro. Risciacquare e asciugare accuratamente all'aria. Non asciugare applicando calore. Un accumulo eccessivo di sporcizia o vernice può impedire una ritrazione completa della fune dispositivo nell'alloggiamento causando un rischio di potenziale caduta libera. Sostituire il cavo di sicurezza se è presente un eccessivo accumulo.

**6.2 ASSISTENZA:** le funi dispositivo FAST-Line possono essere sostituite sul campo da una persona competente<sup>1</sup>. Per il kit di sostituzione della fune dispositivo FAST-Line richiesto, vedere la Figura 1. Installare la fune dispositivo secondo le istruzioni riportate nel Manuale di manutenzione (5903076) incluso nel kit FAST-Line. Dopo la sostituzione della fune dispositivo FAST-Line, fare eseguire sempre un'ispezione completa da una persona competente. La manutenzione aggiuntiva stabilita dall'ispezione effettuata dalla persona competente deve essere completata da un centro manutenzione autorizzato. Non provare a smontare l'SRD o a lubrificarne una parte.

**6.3 CONSERVAZIONE E TRASPORTO:** trasportare e conservare il dispositivo autoretrattile in un ambiente fresco, asciutto e pulito, lontano dalla luce diretta del sole. Evitare zone con vapori chimici. Ispezionare accuratamente il dispositivo SRD dopo un periodo di stoccaggio prolungato.

## 7.0 Etichette

La Figura 20 mostra le etichette sugli SRD Sealed-Blok e le loro posizioni. Tutte le etichette devono essere presenti sull'SRD. Sostituire le etichette se non sono completamente leggibili. Su ogni etichetta sono presenti le informazioni seguenti:

	Leggere tutte le istruzioni.
<b>(A)</b>	Lunghezza della fune dispositivo (distanza di sollevamento massima)
<b>(B) (C)</b>	1) Collegamento corretto del dispositivo SRD in caso di arresto caduta. 2) Intervallo temperatura di esercizio: da -40° C a +60° C. 3.1) Sistema di ancoraggio dell'SRD sempre al di sopra. 3.2) Il livello di ancoraggio dell'SRD non deve essere mai al di sotto del punto di connessione della imbracatura dorsale posteriore. 4) Capacità massima: 140 kg <sup>(B)</sup> /135 kg <sup>(C)</sup> . 5) Ispezionare il gancio a scatto e l'indicatore di caduta. 6) Ispezionare l'azione di blocco dell'SRD. Quando l'SRD si blocca, si deve udire un rumore ben avvertibile. 7) Non caricare l'SRD su un bordo. 8) Ispezionare il gancio doppia leva e l'indicatore di caduta. Non usare l'SRD se l'impatto è indicato. 9) Controllare la fune dispositivo mentre si riavvolge nell'SRD. 10) Rischio di caduta in oscillazione. L'angolazione della fune dispositivo non deve mai essere quasi verticale. 11.1) Non riparare. 11.2) Manutenzione e riparazione devono essere eseguite solo da personale autorizzato da 3M. 12) Conservare in un ambiente fresco, asciutto e pulito, lontano dalla luce diretta del sole. 13) Non utilizzare se la fascia della fune dispositivo di riserva è esposta. 14) Non rimuovere le etichette. Le etichette devono essere presenti e completamente leggibili. 15) Altezza massima di discesa 16) Punto di collegamento per ancoraggio secondario per oggetti in caduta 17) Anno e mese di produzione, Numero di lotto, Numero di modello 18) Lunghezza della fune dispositivo (Distanza di sollevamento massima). 19) Leggere il Manuale di manutenzione FAST-Line (5903076). 20) Funzionamento di recupero: <b>(A)</b> Allentare le viti con alette di blocco. <b>(B)</b> Ruotare l'impugnatura di recupero verso l'alto. <b>(C)</b> Tirare la manopola di regolazione e tenerla ferma. <b>(D)</b> Spingere in dentro la manovella e rilasciare la manopola di regolazione. Se necessario, ruotare leggermente il braccio della manovella in senso orario per innestare l'ingranaggio. Ruotare il braccio della manovella in senso antiorario per sollevare. Ruotare il braccio della manovella in senso orario per abbassare. <b>(E)</b> Rilasciare la manopola di regolazione per bloccare il braccio della manovella.
<b>(D)</b>	Questo prodotto è abilitato per l'identificazione a radiofrequenza (RFID) e contiene un'etichetta elettronica facilmente leggibile da dispositivi di lettura compatibili che fornisce i registri di ispezione, nonché istruzioni di gestione dell'inventario e altri dati di sicurezza.
<b>(E) (F)</b>	A) Numero di serie B) Numero di modello C) Data di produzione D) Numero di lotto E) Date di manutenzione
<b>(G)</b>	Per abbassare: ruotare leggermente il braccio della manovella in senso antiorario per rilasciare il freno di arresto caduta, quindi ruotare il braccio della manovella in senso orario. Per alzare: ruotare il braccio della manovella in senso antiorario. Carico di sollevamento massimo: 135 kg
<b>(H) (I)</b>	Tirare verso l'esterno la manopola di innesto RSQ e girare finché la freccia non punti la modalità di selezione: <b>(D)</b> Discesa, <b>(E)</b> Arresto caduta

**1 Persona competente:** individuo designato dal datore di lavoro come responsabile della diretta supervisione, implementazione e monitoraggio del programma di protezione anticaduta dei dipendenti. Individuo che, grazie a formazione e conoscenza, è in grado di individuare, valutare e affrontare i pericoli di caduta potenziali ed esistenti e che ha l'autorizzazione del datore di lavoro di mettere prontamente in atto azioni correttive nei confronti di tali pericoli.

**Tabella 3 – Registro di ispezione e manutenzione**

Numeri di serie:		Data di acquisto:	
Numero modello:		Data del primo utilizzo:	
Ispezionato da:		Data di ispezione:	
Componente:	Ispezione:	Prima di ciascun utilizzo	Persona competente
SRD (Figura 14)	Verificare che non presenti bulloni allentati e parti piegate o danneggiate.	<input type="checkbox"/>	<input type="checkbox"/>
	Verificare che l'alloggiamento (A) non presenti parti distorte, crepe o altri danneggiamenti.	<input type="checkbox"/>	<input type="checkbox"/>
	Verificare che l'alloggiamento (B) non presenti parti distorte, crepe o altri danneggiamenti. Il perno girevole deve essere attaccato con sicurezza all'SRL, senza però impedirne la libera rotazione.	<input type="checkbox"/>	<input type="checkbox"/>
	La fune dispositivo (C) deve disimpegnarsi e ritrarsi completamente senza esitazione o senza creare una condizione di cavo lasco.	<input type="checkbox"/>	<input type="checkbox"/>
	Assicurarsi che il dispositivo si blocchi quando la fune dispositivo viene tirata con forza. Il blocco deve essere deciso, senza slittamenti. NOTA: gli SRL devono trovarsi in modalità Arresto caduta per questo test (vedere figura 8)	<input type="checkbox"/>	<input type="checkbox"/>
	Tutte le etichette devono essere presenti e completamente leggibili (vedere "Etichette").	<input type="checkbox"/>	<input type="checkbox"/>
	Verificare l'assenza di corrosione sull'intera unità.	<input type="checkbox"/>	<input type="checkbox"/>
Gancio a doppia leva girevole e indicatore di caduta (Figura 15)	Ispezionare il gancio a doppia leva girevole per verificare che non siano presenti segni di danni e corrosione, e che siano in grado di funzionare correttamente. Il perno girevole deve poter ruotare liberamente. Ispezionare l'indicatore di caduta. Se appare il nastro rosso (modalità indicata), è avvenuto un carico d'impatto e l'SRL deve essere tolto dalla manutenzione e ispezionato. Non tentare di resettare l'indicatore di caduta. Rispedire l'SRL a un centro di assistenza autorizzato per il ripristino. NOTA: il gancio girevole non gira liberamente se l'indicatore di caduta è in modalità indicata.	<input type="checkbox"/>	<input type="checkbox"/>
	<input checked="" type="checkbox"/> <b>FAST-Line necessita di ricertificazione per TUTTA LA VITA operativa:</b> se è visibile la fascia rossa sull'indicatore di caduta con gancio girevole (Modalità indicata); contattare 3M per richiedere un intervento di manutenzione in un Centro Manutenzioni autorizzato oppure sostituire la fune dispositivo FAST-Line in base alle istruzioni riportate nel "Manuale di manutenzione del kit di sostituzione della fune dispositivo FAST-Line (5903076)" e far eseguire l'ispezione da una persona competente.		<input type="checkbox"/>
Fune dispositivo con filo metallico FAST-Line (Figura 16)	Verificare che la fune metallica non presenti tagli, piegature, fili rotti, deformazioni a canestro, residui di saldature, corrosione, aree che sono entrate in contatto con sostanze chimiche o gravi abrasioni. Far scorrere il paraurti del cavo verso l'alto e ispezionare gli anelli controllando che non presentino segni di rottura o danneggiamento e ispezionare la fune metallica per verificare se presenta corrosione e fili metallici rotti. Sostituire il gruppo fune metallica se ci sono sei o più fili metallici rotti casualmente distribuiti in un avvolgimento, o tre o più fili rotti nel trefolo di un avvolgimento. Un "avvolgimento" di una fune metallica è la lunghezza della fune metallica necessaria affinché un trefolo (1 gruppi più grandi di fili) completi un giro o un attorcigliamento lungo la fune. Sostituire il gruppo fune metallica se ci sono fili rotti entro 25 mm (1 pollice) dagli anelli.	<input type="checkbox"/>	<input type="checkbox"/>
	<input checked="" type="checkbox"/> <b>FAST-Line necessita di ricertificazione per TUTTA LA VITA operativa:</b> se l'ispezione nel passo precedente indica la necessità di sostituire la fune dispositivo; contattare 3M per richiedere un intervento di manutenzione in un Centro Manutenzioni autorizzato oppure sostituire la fune dispositivo FAST-Line in base alle istruzioni riportate nel "Manuale di manutenzione del kit di sostituzione della fune dispositivo FAST-Line (5903076)" e far eseguire l'ispezione da una persona competente.		<input type="checkbox"/>
Fune dispositivo di riserva (Figura 17)	Ispezionare lo scorrimento della fune dispositivo di riserva. Se una caduta è stata arrestata con la maggior parte della fune dispositivo fuori, è possibile che la fune dispositivo di riserva sia entrata in funzione. Disimpegnare la fune dispositivo dall'SRD finché non si ferma. Se il pulsante di arresto (A) fuoriesce ed è visibile, la fune dispositivo di riserva è consumata e deve essere sostituita.	<input type="checkbox"/>	<input type="checkbox"/>
	<input checked="" type="checkbox"/> <b>FAST-Line necessita di ricertificazione per TUTTA LA VITA operativa:</b> se l'ispezione nel passo precedente indica la necessità di sostituire la fune dispositivo; contattare 3M per richiedere un intervento di manutenzione in un Centro Manutenzioni autorizzato oppure sostituire la fune dispositivo FAST-Line in base alle istruzioni riportate nel "Manuale di manutenzione del kit di sostituzione della fune dispositivo FAST-Line (5903076)" e far eseguire l'ispezione da una persona competente.		<input type="checkbox"/>
Componenti RSQ (Figura 18)	Sui componenti RSQ™ deve essere eseguito un test di trazione manuale prima di usarli: 1. Impostare la manopola d'innesto RSQ sulla posizione di discesa (Diagramma 4). 2. Afferrare la fune dispositivo e tirarla in maniera decisa per innescare il meccanismo. 3. Continuare a tirare fuori, con movimento dolce, circa 1 metro (3 piedi) di cavo. Durante l'operazione si dovrebbe percepire una resistenza costante.	<input type="checkbox"/>	<input type="checkbox"/>
Recupero manovella manuale di salvataggio incorporata (Figura 19)	Verificare che il braccio della manovella (A) non presenti parti distorte o altri danneggiamenti. Assicurarsi che l'impugnatura di recupero (B) possa essere piegata e bloccata in posizione di avviamento.	<input type="checkbox"/>	<input type="checkbox"/>
	Assicurarsi che la manopola di regolazione di recupero (C) possa essere disinnestata in posizione non bloccata e poi rilasciata, bloccando il braccio della manovella in posizione sia di innesto che di disinnesto.	<input type="checkbox"/>	<input type="checkbox"/>
	Testare il corretto funzionamento della modalità di recupero sollevando e abbassando un peso di prova di almeno 34 kg (75 libbre). Quando l'impugnatura di recupero viene rilasciata, il peso non deve muoversi e l'impugnatura di recupero deve restare in posizione (nessun movimento). Quando si solleva il carico, si deve udire un "clic".	<input type="checkbox"/>	<input type="checkbox"/>
<b>Azione correttiva/Manutenzione:</b>		Approvato da:	
		Data:	
<b>Azione correttiva/Manutenzione:</b>		Approvato da:	
		Data:	
<b>Azione correttiva/Manutenzione:</b>		Approvato da:	
		Data:	
<b>Azione correttiva/Manutenzione:</b>		Approvato da:	
		Data:	
<b>Azione correttiva/Manutenzione:</b>		Approvato da:	
		Data:	
<b>Azione correttiva/Manutenzione:</b>		Approvato da:	
		Data:	

## VEILIGHEIDSINFORMATIE

Lees alle veiligheidsinformatie in deze instructies voordat u dit zelfintrekbare valstopapparaat (Self-Retracting Device, SRD) gebruikt, en vergewis u ervan dat u alle informatie begrepen hebt en opvolgt. **NALATIGHEID KAN ERNSTIG LETSEL OF DE DOOD TOT GEVOLG HEBBEN.** Deze instructies dienen aan de gebruiker van deze apparatuur verstrekt te worden. Bewaar deze instructies zodat u ze later kunt raadplegen.

### Beoogd gebruik:

Dit zelfintrekbare valstopapparaat is bedoeld voor gebruik als onderdeel van een volledig persoonlijk valbeveiligingssysteem.

Gebruik in andere toepassingen, inclusief (maar niet beperkt tot) materiaalbehandeling, vrijetijdsactiviteiten, sporten of andere activiteiten die niet in de gebruiksinstructies omschreven staan, wordt niet goedgekeurd door 3M en kan leiden tot een ongeval met ernstig letsel of de dood tot gevolg.

Dit apparaat mag uitsluitend worden gebruikt door opgeleide gebruikers voor toepassing op de werkplaats.

## ! WAARSCHUWING

Dit zelfintrekbare valstopapparaat is onderdeel van een persoonlijk valbeveiligingssysteem. Er wordt verwacht dat alle gebruikers volledig zijn opgeleid voor een veilige installatie en veilig gebruik van hun persoonlijke valbeveiligingssysteem. **Misbruik van dit apparaat kan leiden tot ernstig letsel of een dodelijk ongeval.** Voor een juiste selectie, bediening, installatie, onderhoud en diensten raadpleegt u deze gebruiksinstructies inclusief alle aanbevelingen van de fabrikant, overlegt u met uw leidinggevende of neemt u contact op met 3M Technical Services.

- **Doe het volgende om de risico's te beperken die gepaard gaan met het werken met een valstopapparaat, waarbij nalatigheid kan leiden tot ernstig letsel of een dodelijk ongeval:**
  - Inspecteer het valstopapparaat vóór elk gebruik en controleer of de vergrendeling en het oprolmechanisme correct werken.
  - Als uit inspectie een defect of onveilige werking blijkt, stelt u het apparaat onmiddellijk buiten gebruik en zorgt u voor reparatie of vervanging volgens de gebruiksinstructies.
  - Als het valstopapparaat geactiveerd is door een valstop of een schok heeft gekregen, stel het dan onmiddellijk buiten gebruik en markeer het als "ONBRUIKBAAR".
  - Zorg ervoor dat de reddingslijn op elk moment vrij is van alle mogelijke voorwerpen, inclusief (maar niet beperkt tot): verstrikking met bewegende machines of apparaten (bijv. de top drive van een boortoren), andere werkers, uzelf, voorwerpen in de omgeving, en botsing met voorwerpen boven het hoofd die op de reddingslijnen of de werker kunnen vallen.
  - Laat nooit speling komen op de reddingslijn. Maak geen knopen in de reddingslijn.
  - Bevestig de ongebruikte lijn(en) van het aan het harnas bevestigde valstopapparaat aan de bevestigingselement(en) van het harnas, indien aanwezig.
  - Niet gebruiken bij toepassingen waarbij het valpad geblokkeerd is. Bij werken op langzaam bewegend materiaal (zoals zand of korrelig materiaal) of in een besloten of nauwe ruimte kan de gebruiker mogelijk niet voldoende snelheid bereiken om de vergrendeling van het valstopapparaat te activeren. Om positieve vergrendeling van het valstopapparaat te garanderen, is een vrij valpad nodig.
  - Vermijd plotselinge of snelle bewegingen tijdens het normale werk. Daardoor kan het apparaat vergrendelen.
  - Zorg ervoor dat valbeveiligingssysteem/-subsystemen samengesteld uit onderdelen van verschillende fabrikanten compatibel zijn en aan de geldende normen voldoen, waaronder ANSI Z359 of andere geldende voorschriften, normen of vereisten op het gebied van valbescherming. Raadpleeg altijd een deskundige en/of een gekwalificeerd persoon voordat u deze systemen gebruikt.
- **Doe het volgende om de risico's te beperken die gepaard gaan met het werken op hoogte, waarbij nalatigheid kan leiden tot een ongeval met ernstig letsel of de dood tot gevolg:**
  - Vergewist u zich ervan dat u met uw gezondheid en lichamelijke conditie veilig bestand bent tegen alle krachten die kunnen optreden bij het werken op hoogte. Raadpleeg uw arts als u twijfelt of u in staat bent om deze uitrusting te gebruiken.
  - Overschrijd nooit de toelaatbare capaciteit van uw valbeveiligingsuitrusting.
  - Overschrijd nooit de maximale vrijevalafstand van uw valbeveiligingsuitrusting.
  - Gebruik nooit valbeveiligingsuitrusting die een gebrek vertoont bij de inspectie vóór het gebruik of andere periodieke inspecties, of als u onzeker bent over het gebruik of de geschiktheid van de uitrusting voor uw toepassing. Neem voor al uw vragen contact op met 3M Technical Services.
  - Sommige combinaties van subsystemen en componenten kunnen de werking van deze uitrusting verstoren. Gebruik uitsluitend koppelingen die onderling geschikt zijn. Raadpleeg 3M voordat u deze apparatuur gebruikt in combinatie met andere componenten of subsystemen dan die welke in de gebruiksinstructies beschreven staan.
  - Wees extra voorzichtig bij het werken in de buurt van bewegende machines (bijv. top drive van boorplatform), op plaatsen met elektrische gevaren, extreme temperaturen, chemische gevaren, explosieve of giftige gassen, scherpe randen, of onder voorwerpen boven het hoofd die op u of uw valbeveiligingsuitrusting kunnen vallen.
  - Gebruik bij werken in een hete omgeving of met hitteapparatuur beschermingsmiddelen tegen risico's op een vlamboog en brandgevaar.
  - Vermijd oppervlakken en voorwerpen die de gebruiker of de uitrusting kunnen beschadigen.
  - Vergewist u zich ervan dat er voldoende vrije val is bij het werken op hoogte.
  - Wijzig of verander uw valbeveiligingsuitrusting nooit. Alleen 3M, of partijen die door 3M schriftelijk bevoegd worden gesteld, mogen de uitrusting repareren.
  - Zorg, voordat de valbeveiligingsuitrusting in gebruik wordt genomen, dat er een reddingsplan aanwezig is waarmee in geval van een ongeval snel hulp kan worden geboden.
  - Laat na een val de betreffende persoon onmiddellijk door een arts onderzoeken.
  - Gebruik geen lichaamsgordel voor valstop-toepassingen. Gebruik uitsluitend een volledig lichaamsharnas.
  - Minimaliseer zwenkvallen door zo recht mogelijk onder het ankerpunt te werken.
  - Bij training met dit apparaat moet een tweede valbeveiligingssysteem worden gebruikt, om elk risico te vermijden dat de gebruiker-in-training per ongeluk aan valgevaar wordt blootgesteld.
  - Draag altijd geschikte persoonlijke beschermingsmiddelen bij het installeren, gebruiken of inspecteren van het apparaat/systeem.



Noteer vóór u deze apparatuur gebruikt de productidentificatiegegevens van het ID-label in het inspectie- en onderhoudslogboek achter in deze handleiding.

## OMSCHRIJVING:


Afbeelding 2 geeft de hoofdonderdelen weer van de DBI-SALA Sealed-Blok zelfintrekkende valstopapparaten (Self-Retracting Devices, SRD's). Sealed-Blok valstopapparaten zijn op een trommel gerolde staadraadreddingslijnen (A) die worden opgerold in een ombouw van geseald aluminium (B). Ze kunnen worden bevestigd aan een verankering met een karabiner die wordt gekoppeld aan het zwenkoog (C) aan de bovenkant van het valstopapparaat. Een zelfborgende musketonhaak (D) op het eind van de reddingslijn wordt verbonden met het daarvoor aangewezen valstopverbindingsstuk op een volledig lichaamsharnas. Een bumper (E) beschermt de kabel en de draadogen. Hij beschermt ook de musketonhaak tegen schuring en corrosie.

Afbeelding 1 definieert de modellen Sealed-Blok valstopapparaten waarop deze instructiehandleiding van toepassing is. De volgende typen valstopapparaten zijn beschikbaar:

- **Zelfintrekkende lijn (Afbeelding 2C):** Zelfintrekkende lijnen (Self-Retracting Lanyards, SRL's) zijn geschikt voor toepassingen waarbij de reddingslijn verticaal blijft tijdens het gebruik en een mogelijke vrije val wordt beperkt tot 0,6 m (2 voet).
- **Zelfintrekkende lijn met redding:** Zelfintrekkende lijnen met redding (Self-Retracting Lanyard with Rescue) zijn voorzien van een integraal hulpmiddel voor reddingsassistentie bij het tillen of laten zakken van de persoon die gered moet worden. RSRL's zijn voorzien van een 3-weg terughaalkrukas voor noodgevallen (Afbeelding 2B). SRL-RSQ's zijn uitgerust met een RSQ reddings-/afdaalknop (Afbeelding 2C). Sommige reddingsmodellen zijn uitgerust met beide reddingscomponenten (Afbeelding 2D). Enkele modellen omvatten een driepotige montagebeugel om de SRL te monteren op de poot van een driepoot voor toepassingen in besloten ruimten.

**Tabel 2 – Specificaties**

Eigenaren van FAST-Line Sealed Blok SRL's met een productiedatum van na 4 januari 2015 zijn niet langer verplicht om hun Fast-Line SRL's terug te sturen naar Capital Safety voor hercertificering in geval van een val of als de impactindicator aangeeft dat de haak aan vervanging toe is. Vervang eenvoudigweg de kabel en de haak via FAST-Line in overeenstemming met de FAST-Line onderhoudshandleiding (5903076) en voltooi de inspectie door de deskundige.

 Fast-Line	Beschrijving reddingslijn	Haak
3401403	15 m (50 ft) van 4,76 mm (3/16 inch) gegalvaniseerde stalen kabel, zelfborgende plaatstalen draaibare karabiner met indicator.	2000126
3401714	15 m (5,0 m) van 4,76 mm (3/16 in) roestvrij stalen kabel, roestvrijstalen draaibaar oog met indicator	2100127
3900105	15 m (50 ft) van 4,76 mm (3/16 inch) gegalvaniseerde stalen kabel, zelfborgende plaatstalen draaibare musketonhaak met indicator.	2000180
3900106	15 m (50 ft) van 4,76 mm (3/16 inch) roestvrij stalen kabel, zelfborgende plaatstalen draaibare musketonhaak met indicator.	2000180
3900107	15 m (50 ft) van 4,76 mm (3/16 inch) roestvrij stalen kabel, zelfborgende roestvrijstalen draaibare musketonhaak met indicator.	2000181
3900108	26 m (85 ft) van 4,76 mm (3/16 inch) gegalvaniseerde stalen kabel, zelfborgende plaatstalen draaibare musketonhaak met indicator.	2000180
3900109	26 m (85 ft) van 4,76 mm (3/16 inch) roestvrij stalen kabel, zelfborgende plaatstalen draaibare musketonhaak met indicator.	2000180
3900111	26 m (85 ft) van 4,76 mm (3/16 inch) roestvrij stalen kabel, zelfborgende roestvrijstalen draaibare musketonhaak met indicator.	2000181
3900124	26 m (85 ft) van 4,76 mm (3/16 in) roestvrij stalen kabel, roestvrijstalen draaibaar oog met indicator	2100127
3900112	40 m (130 ft) van 4,76 mm (3/16 inch) gegalvaniseerde stalen kabel, zelfborgende plaatstalen draaibare musketonhaak met indicator.	2000180
3900113	40 m (130 ft) van 4,76 mm (3/16 inch) roestvrij stalen kabel, zelfborgende plaatstalen draaibare musketonhaak met indicator.	2000180
3900114	40 m (130 ft) van 4,76 mm (3/16 inch) roestvrij stalen kabel, zelfborgende roestvrijstalen draaibare musketonhaak met indicator.	2000181
3900168	53 m (175 ft) van 4,76 mm (3/16 inch) gegalvaniseerde stalen kabel, zelfborgende plaatstalen draaibare musketonhaak met indicator.	2000180
3900169	53 m (175 ft) van 4,76 mm (3/16 inch) roestvrij stalen kabel, zelfborgende plaatstalen draaibare musketonhaak met indicator.	2000180
3900170	53 m (175 ft) van 4,76 mm (3/16 inch) roestvrij stalen kabel, zelfborgende roestvrijstalen draaibare musketonhaak met indicator.	2000181

Haak	Omschrijving	Materiaal	Sterkte van de opening	Doorgangsgrootte
2000126	Zelfborgende draaiende karabiner met impactindicator	Gelegeerd staal	16 kN (3.600 lb.)	1,9 m (3/4 inch)
2000180	Zelfborgende draaiende musketonhaak met impactindicator	Gelegeerd staal	16 kN (3.600 lbs)	1,9 m (3/4 inch)
2000181	Zelfborgende draaiende musketonhaak met impactindicator	Roestvrij staal	16 kN (3.600 lbs)	1,9 m (3/4 inch)
2100127	Draaibaar oog met impactindicator	Roestvrij staal	—	2,5 cm (1 inch) Diameter

<b>Ombouw:</b>	Gesealde aluminium ombouw
<b>Treksterkte kabel reddingslijn:</b>	Gegalvaniseerd staal - min. treksterkte 18,7 kN (4.200 lbs) roestvrij staal - min. treksterkte 16,0 kN (3.600 lbs)
<b>Maximale stopkracht:</b>	6 kN (1.350 lb.)
<b>Gemiddelde stopkracht:</b>	4 kN (900 lb.)
<b>Maximale stopafstand:</b>	1,1 m (42 in)
<b>Gemiddelde vergrendelsnelheid:</b>	1,4 m/s (4,5 ft/s)
<b>RSQ-snelheidsbereik afdaling:</b>	0,6 - 0,9 m/s (2-3 ft/s)
<b>Minimale vrije val:</b>	1,8 m (6 ft) bij 140 kg (310 lbs)

## 1.0 TOEPASSINGEN

- 1.1 DOEL:** De zelfintrekkende valstopapparaten (Self Retracting Devices, SRD's) van 3M zijn ontworpen als onderdeel van een persoonlijk systeem voor valbescherming (Personal Fall Arrest System, PFAS). Afbeelding 1 toont valstopapparaten die in deze gebruiksaanwijzing behandeld worden, evenals typische toepassingen ervan. Deze systemen kunnen worden gebruikt in de meeste situaties waarin een combinatie van mobiliteit voor de werknemer en valbeveiliging is vereist, zoals bij inspectiewerkzaamheden, algemene bouwwerkzaamheden, onderhoudswerkzaamheden, olieproductie, werkzaamheden in besloten ruimten, enz.
- 1.2 NORMEN:** Uw valstopapparaat voldoet aan de nationale of regionale norm(en) die staan vermeld op de omslag van deze instructies. Als dit product opnieuw verkocht wordt buiten het oorspronkelijke land van bestemming, dient de wederverkoper deze instructies te leveren in de taal van het land waarin het product gebruikt zal worden.
- 1.3 TRAINING:** Deze apparatuur is bedoeld voor gebruik door personen die zijn getraind in de juiste toepassing en het juiste gebruik. Het is de verantwoordelijkheid van de gebruiker om ervoor te zorgen bekend te zijn met deze instructies en getraind te zijn in het juiste onderhoud en gebruik van deze apparatuur. Gebruikers moeten bovendien op de hoogte zijn van de operationele eigenschappen, toepassingsbeperkingen en gevolgen van onjuist gebruik.
- 1.4 BEPERKINGEN:** Houd tijdens het installeren of gebruiken van deze apparatuur altijd rekening met de volgende beperkingen en eisen:

- **Capaciteit:** Dit valstopapparaat werd getest op geschiktheid voor gebruik door één persoon met een totaalgewicht (kleding, uitrusting, enz.) van 59 kg (130 lbs) tot 140 kg (310 lbs).<sup>1</sup> Zorg ervoor dat alle onderdelen van uw systeem de juiste capaciteit hebben voor uw toepassing.
- **Verankering:** De verankeringsstructuur voor de SRD moet in staat zijn om een belasting van 12 kN (2697 lb.) te dragen. Verankeringsonderdelen moeten voldoen aan EN795.
- **Blokkeersnelheid:** Situaties waarin geen vrij valpad mogelijk is, dienen vermeden te worden. Wanneer er gewerkt wordt in besloten of nauwe ruimten, is het mogelijk dat het lichaam tijdens een val niet voldoende snelheid kan bereiken om de vergrendeling van het valstopapparaat bij een val te activeren. Wanneer er gewerkt wordt op zich langzaam verplaatsende materialen, zoals zand of korrelig materiaal, wordt er wellicht onvoldoende snelheid gemaakt om de vergrendeling van het valstopapparaat te activeren. Om positieve vergrendeling van het valstopapparaat te garanderen, is een vrij valpad nodig.
- **Vrije val:** Bij correct gebruik zullen valstopapparaten de vrijevalafstand beperken tot 61 cm (2 voet). Om grotere valafstanden te vermijden, dient u niet boven de verankering te werken. **Verleng valstopapparaten niet door er een lijn of soortgelijk onderdeel aan te koppelen zonder dat u 3M hebt geraadpleegd.** Klem of bind de reddingslijn nooit vast en voorkom dat de reddingslijn niet kan worden ingetrokken of dat de reddingslijn niet strak kan komen te staan. Vermijd speling.
- **Scheef vallen:** Een scheve val doet zich voor wanneer het verankeringspunt zich niet direct boven het valpunt bevindt. De kracht waarmee een voorwerp tijdens een scheve val geraakt kan worden, kan ernstig letsel veroorzaken (zie afbeelding 3A). Minimaliseer scheef vallen door zo recht mogelijk onder het ankerpunt te werken (afbeelding 3B). Van het verankeringspunt (afbeelding 3C) af werken vergroot de impact van een zwenkval en verhoogt de vereiste valspeling (Fall Clearance, FC).
- **Vrije valspeling:** Afbeelding 3B illustreert de berekening van de valspeling. Valspeling (Fall Clearance, FC) is de som van de vrije val (Free Fall, FF), vertragsafstand (Deceleration Distance, DD) en de veiligheidsfactor (Safety Factor, SF):  $FC = FF + DD + SF$ . Verschuiving van de D-ring en rek van het harnas zijn opgenomen in de veiligheidsfactor. De waarden van de valspeling zijn berekend en worden in kaart gebracht in afbeelding 4. Voor alle waarden in afbeelding 4 is een veiligheidsfactor van 1 m (3,28 ft) gebruikt.

Afbeeldingen 3B en 3C laten de vrije valspeling zien. Voor vallen vanuit een staande positie waarbij het valstopapparaat direct boven het hoofd is verankerd (afbeelding 3B) moeten SRD-valstopsystemen de minimale vrijevalspeling hebben die is gespecificeerd in tabel 1. Voor vallen vanaf een kniel- of kruippositie is 1 meter (3 voet) extra vrijevalspeling vereist. Bij een scheve val (afbeelding 3C) is de totale verticale valafstand groter dan wanneer de gebruiker recht onder het verankeringspunt gevallen zou zijn. Daardoor neemt mogelijk de benodigde vrijevalspeling toe. Afbeelding 4 en de bijbehorende tabel definiëren de maximale werkradius (C) voor verschillende SRD-verankeringshoogten (A) en vrijevalspelingen (B). De aanbevolen werkzone is beperkt tot het gebied binnen de maximale werkradius.

- **Gevaren:** Als deze uitrusting in zones met omgevingsgevaar wordt gebruikt, kan het zijn dat er extra maatregelen nodig zijn om de kans op letsel of schade aan de uitrusting te verkleinen. De gevaren kunnen bestaan uit, maar zijn niet beperkt tot: hitte, bijtende chemicaliën, corrosieve omgevingen, hoogspanningsleidingen, explosieve of giftige gassen, bewegende machines en materiaal boven het hoofd dat kan vallen en de gebruiker of het valstopstelsel kan raken. Vermijd werkzaamheden in situaties waarin uw reddingslijn de reddingslijn van een collega kan kruisen of daarmee verstrengeld kan raken. Vermijd werkzaamheden in situaties waarin een voorwerp kan vallen en de reddingslijn kan treffen, waardoor u uw evenwicht verliest of waardoor de reddingslijn beschadigd raakt. Voorkom dat de reddingslijn onder armen of tussen benen door loopt.
- **Scherpe randen:** Vermijd werken waar de reddingslijn in contact kan komen met onbeschermd of scherpe randen, of hierlangs kan schuren. Als contact met een scherpe rand onvermijdelijk is, bedek die rand dan met beschermingsmateriaal.

## 2.0 GEBRUIK

- 2.1 REDDINGSPLAN:** Wanneer deze apparatuur wordt gebruikt, dient de werkgever te beschikken over een reddingsplan. Ook moet de werkgever de middelen bereik hebben om het reddingsplan te implementeren en te communiceren met gebruikers, bevoegde personen en reddingswerkers.

<sup>1</sup> **Capaciteit:** CE-valstopapparaten hebben een maximale capaciteit van 140 kg (310 lbs). Valstopapparaten met een 3-weg terughalsysteem hebben een maximale hefbelasting van 135 kg (298 lbs).

**2.2 INSPECTIEFREQUENTIE:** Valstopapparaten moeten vóór elk gebruik worden geïnspecteerd door een bevoegde persoon<sup>1</sup> of reddingswerker<sup>2</sup> (zie tabel 2). Bovendien dient een andere deskundige persoon dan de gebruiker<sup>3</sup> het apparaat periodiek te inspecteren met intervallen van maximaal één jaar. Extreme werkomstandigheden (ruige omgeving, langdurig gebruik, enz.) kunnen vereisen dat de frequentie van inspecties door deskundigen wordt opgevoerd. De inspectieprocedures zijn beschreven in het "Logboek voor inspectie en onderhoud" (tabel 3). De resultaten van de inspectie door de deskundige moeten worden geregistreerd in het "Logboek voor inspectie en onderhoud" of met het RFID-systeem worden geregistreerd (zie sectie 5).

**2.3 NORMAAL GEBRUIK:** Bij normale werkzaamheden kan de reddingslijn zonder onregelmatigheden uit- en intrekken wanneer de medewerker met normale snelheid beweegt. Wanneer er een val plaatsvindt, zal het snelheidsgevoelige remsysteem geactiveerd worden. Daardoor wordt de val gestopt en wordt veel van de vrijgekomen energie geabsorbeerd. Tijdens normale werkzaamheden dienen plotselinge of snelle bewegingen vermeden te worden; hierdoor kan het valstopapparaat vergrendeld worden. Voor valpartijen die zich voordoen terwijl de reddingslijn bijna helemaal is uitgetrokken, is een reservereddingslijn of schokbreker opgenomen, zodat de valstop een beperkte impact heeft. Als het valstopapparaat onderworpen is geweest aan valstopkrachten, moet u het uit dienst nemen en als "ONBRUIKBAAR" markeren of etiketteren. Inspecteer en onderhoud het zoals voorgeschreven in de secties 5 en 6.

**2.4 LICHAAMSONDERSTEUNING:** Het valstopapparaat moet worden gebruikt met een volledig lichaamsharnas. Het verbindingpunt van het harnas moet boven het zwaartepunt van de gebruiker liggen. Gebruik van het valstopapparaat met een lichaamsgordel is niet toegestaan. Als er een val plaatsvindt met een lichaamsgordel, kan deze onbedoeld losschieten en lichamelijke trauma veroorzaken door onjuiste lichaamsondersteuning.

**2.5 COMPATIBILITEIT VAN COMPONENTEN:** Tenzij anders aangegeven is 3M-apparatuur ontworpen voor gebruik met alleen door 3M goedgekeurde onderdelen en subsystemen. Substituties of vervangingen door middel van niet-goedgekeurde onderdelen of subsystemen kunnen de compatibiliteit van apparatuur in gevaar brengen en kunnen de veiligheid en betrouwbaarheid van het volledige systeem negatief beïnvloeden. Lees en volg de instructies van de fabrikant voor onderdelen en subsystemen van uw persoonlijke valstopstelsel.

**2.6 COMPATIBILITEIT VAN CONNECTORS:** Connectors worden als compatibel met verbindende elementen beschouwd wanneer deze zijn ontwikkeld om op een dusdanige manier samen te werken dat de maten en vormen, ongeacht hun oriëntatie, geen onbedoeld opengaan van snappermechanismen veroorzaken. Neem contact op met 3M als u vragen hebt over compatibiliteit.

Connectors die worden gebruikt om het valstopapparaat aan te hangen, moeten voldoen aan EN362. Connectors moeten compatibel zijn met de verankering of andere systeemcomponenten. Gebruik geen apparatuur die niet compatibel is. Verbindingen die niet compatibel zijn, kunnen onbedoeld losraken (zie afbeelding 4). Connectors moeten compatibel zijn qua grootte, vorm en sterkte. Zelfvergrendelende musketonhaken en karabiners zijn vereist. Als het verbindingselement waaraan de musketonhaak of karabiner bevestigd wordt, te klein of onregelmatig van vorm is, kan er een situatie optreden waarbij het verbindingselement kracht uitoefent op de opening van de musketonhaak of karabiner (A). Door deze kracht kan de opening (B) opengaan, waardoor de musketonhaak of karabiner kan losraken van het verbindingpunt (C).

**2.7 VERBINDINGEN MAKEN:** Met deze apparatuur mogen alleen zelfvergrendelende musketonhaken en karabiners gebruikt worden. Zorg ervoor dat de verbindingen qua grootte, vorm en sterkte bij elkaar passen. Gebruik geen apparatuur die niet compatibel is. Controleer of alle verbindingen volledig gesloten en vergrendeld zijn. 3M-connectors (musketonhaken en karabiners) zijn ontworpen om alleen gebruikt te worden zoals in de gebruikersinstructies van elk product vermeld staat. Zie afbeelding 5 voor voorbeelden van onjuiste verbindingen. Verbind musketonhaken of karabiners niet:

- A. Met een D-ring waaraan al een andere connector is bevestigd.
- B. Op een wijze die zou resulteren in een belasting op de snapper. Musketonhaken met een grote halsopening mogen niet worden verbonden met standaardformaat D-ringen of vergelijkbare voorwerpen. Dit resulteert in een belasting van de snapper als de haak of D-ring draait, tenzij de musketonhaak is voorzien van een snapper die geschikt is voor 3.600 lb (16 kN). Controleer de markering op uw musketonhaak en ga na of deze geschikt is voor uw toepassing.
- C. Bij een onjuiste aankoppeling, waarbij onderdelen die uitsteken buiten de nok van musketonhaak of karabiner op het anker haken en zonder visuele bevestiging volledig aangekoppeld lijken te zijn aan het verankeringspunt.
- D. Aan elkaar.
- E. Direct aan singelband of touwlijn of 'tie-back' (tenzij de instructies van de fabrikant een dergelijke verbinding voor zowel de lijn als de connector specifiek toestaan).
- F. Aan elk voorwerp dat een dusdanige vorm of een dusdanig formaat heeft dat de musketonhaak of karabiner niet kan worden gesloten en vergrendeld of waarbij uitrollen kan optreden.
- G. Op een wijze waarbij de connector onder belasting geen correcte positie kan innemen.

**Tabel 2 – inspectierooster**

Soort gebruik	Voorbeelden van toepassingen	Gebruiksvoorwaarden	Inspectiefrequentie
			Deskundig persoon
Weinig frequent tot licht	Redding en ruimte met beperkte toegang, fabrieksonderhoud	Goede opslagcondities, binnen- of niet frequent buitengebruik, kamertemperatuur, schone ruimten	Jaarlijks
Gemiddeld tot zwaar	Transport, woningbouw, utiliteiten, magazijn	Redelijke opslagcondities, binnen- en uitgebreid buitengebruik, alle temperaturen, schone of stoffige ruimten	Halfjaarlijks tot jaarlijks
Zeer zwaar tot continu	Beroepsmatige bouw, olie en gas, mijnbouw	Ruwe opslagomstandigheden, lang of continu buitengebruik, alle temperaturen, vuile ruimten	Ieder kwartaal tot halfjaarlijks

**1 Bevoegd persoon:** Een persoon die door de werkgever aangewezen is om werk uit te voeren op een locatie waar de persoon blootgesteld wordt aan een valrisico.

**2 Redder:** Een andere persoon of andere personen dan de te redden persoon, die optreedt of optreden om een geassisteerde redding uit te voeren door middel van een reddingssysteem.

**3 Deskundige:** Een persoon die door zijn werkgever is aangeduid als verantwoordelijke voor de directe supervisie, uitvoering en opvolging van het door de werkgever beheerde programma voor valbescherming, die op basis van zijn opleiding en kennis in staat is om de bestaande en potentiële valrisico's te identificeren, te evalueren en aan te pakken, en die van de werkgever de bevoegdheid heeft gekregen om onmiddellijk corrigerende maatregelen te nemen in verband met dergelijke risico's.

### 3.0 Installatie

- 3.1 PLANNING:** Maak een plan voor uw valbeveiligingssysteem voordat u begint met uw werkzaamheden. Let op alle factoren die uw veiligheid vóór, gedurende en na een val kunnen beïnvloeden. Neem alle eisen en beperkingen die in deze handleiding zijn gedefinieerd in overweging.
- 3.2 VERANKERING:** Afbeelding 7 illustreert de karakteristieke SRL-verankeringsverbindingen. De verankering (A) moet direct boven het hoofd, om het risico op vrije val en scheef vallen zo klein mogelijk te houden (zie deel 2). Kies een vast verankeringspunt dat de statische belastingen die zijn gedefinieerd in Deel 2.2 kan dragen. Het zwenkoop op de zelfintrekkende lijn is voorzien van een karabiner (B). Verbind de karabiner direct met de ankerstructuur (wapening, hoekijzer, enz.), een tie-off adapter (C), of verankeringsverbindingpunt (D).
- 3.3 HARNASVERBINDING:** Een volledig lichaamsharnas is vereist voor valstop toepassingen. Wanneer u een volledig lichaamsharnas gebruikt, verbindt u de musketonhaak (A) op de zelfintrekbare reddingslijn aan de achterste dorsale D-ring (B). (zie afbeelding 8). Voor situaties als het beklimmen van een ladder kan het nuttig zijn om het met de sternale D-ring aan de voorkant van het harnas te verbinden. Raadpleeg de instructies van de fabrikant van het harnas voor details met betrekking tot het gebruik van de harnasverbindingpunten.
- 3.4 MONTAGE DRIEPOOT:** Afbeelding 9 toont de installatie van het Sealed-Blok valstopapparaat met terughalkruk op een DBI-SALA driepoot. De SRD-R is gemonteerd op een been van de driepoot. De reddingslijn is door middel van een katrolsysteem geleid op de kop van de driepoot:

**1. Zet de snelmontagebeugel vast op de driepoot:** Zet de snelmontagebeugel in elkaar rondom de bovenste stang van de driepoot. Plaats de snelmontagebeugel ten minste 30 cm boven de borgpen op de driepoot en draai vervolgens de montagebouten aan op 20 Nm. Draai de bouten niet te strak aan.

*Monteer de snelmontagebeugel nooit op de onderste (telescoop)stang van de driepoot.*

- 2. Zet de SRL-montagebeugel vast op de snelmontagebeugel:** Plaats de uitsparingen in de SRL-montagebeugel boven de uiteindes van de stang die uitsteken van de snelmontagebeugel. Draai vervolgens de SRL naar de poot van de driepoot toe totdat de uiteindes van de SRL-montagebeugel overeenstemmen met de gaten in de snelmontagebeugel. Voer de montagepin door de gaten in de SRL-montagebeugel en snelmontagebeugel.
- 3. Leg de SRL-reddingslijn over katrollen op de kop van de driepoot:** Verwijder de twee pennen van de kopmontage. Plaats de SRL-reddingslijnkabel in de groeven van de twee kopmontagekatrollen. Plaats de pennen terug via de kopmontage.

### 4.0 WERKING

*Personen die de zelfintrekkende valstopapparaten voor het eerst of onregelmatig gebruiken, moeten eerst de "Veiligheidsinformatie" aan het begin van deze handleiding doornemen voordat ze het zelfintrekkende valstopapparaat (SRD) gebruiken.*

- 4.1 VÓÓR IEDER GEBRUIK:** Vóór elk gebruik van deze valbeveiligingsuitrusting dient u deze zorgvuldig te inspecteren, om er zeker van te zijn dat zij in goede staat verkeert. Let op versleten of beschadigde delen. Zorg ervoor dat alle bouten aanwezig zijn en stevig vastzitten. Controleer het correct terugtrekken van de valstoplijn door de lijn uit te trekken en langzaam weer terug te laten gaan. Indien er ook maar enige onregelmatigheid is te bemerken tijdens het terugrollen, moet het apparaat worden gemarkeerd als "ONBRUIKBAAR" en geretourneerd naar een erkend servicecentrum voor service. Inspecteer de reddingslijn op insnijdingen, rafels, brandplekken, indeukingen en corrosie. Controleer de blokkering door met kracht aan de lijn te trekken. Zie Deel 5 voor details omtrent het inspecteren. Gebruik niets wat bij inspectie onveilig blijkt.
- 4.2 NA EEN VAL:** Alle uitrusting die is blootgesteld aan de krachten van een valstop of die beschadigingen vertoont die door de kracht van een valstop zouden kunnen zijn veroorzaakt zoals beschreven in deel 5, moeten onmiddellijk worden verwijderd, gemarkeerd als "ONBRUIKBAAR", en geïnspecteerd en onderhouden zoals beschreven in de delen 5 en 6.
- 4.3 LICHAAMSONDERSTEUNING:** Er moet een volledig lichaamsharnas worden gedragen bij het gebruik van zelfintrekkende valstopapparaten. Voor gebruik als algemene valbescherming maakt u verbinding met de dorsale D-ring. Voor situaties als het beklimmen van een ladder kan het nuttig zijn om het met de sternale D-ring aan de voorkant van het harnas te verbinden. Raadpleeg de instructies van de fabrikant van het harnas voor details met betrekking tot het gebruik van de harnasverbindingpunten.
- 4.4 VERBINDINGEN MAKEN:** Wanneer u een haak gebruikt om een verbinding te maken, zorg er dan voor dat deze niet los kan raken (zie afbeelding 5). Gebruik geen haken of connectors die niet volledig sluiten over het bevestigingsobject. Gebruik geen musketonhaken zonder vergrendeling. Het bevestigingsoppervlak moet voldoen aan de vereiste verankeringssterkte, zoals is vermeld in sectie 2.2. Volg de instructies van de fabrikant voor elk onderdeel van het systeem.
- 4.5 WERKING:** Inspecteer de SRD zoals beschreven in sectie 5.0. Sluit de SRD aan op een geschikte verankering of verankeringsconnector zoals hierboven beschreven staat. Verbind de zelfborgende musketonhaak aan het einde van de reddingslijn met de dorsale D-ring op het volledige lichaamsharnas (zie afbeelding 8). Zorg ervoor dat de verbindingen qua grootte, vorm en sterkte bij elkaar passen. Controleer of de haak volledig gesloten en geborgd is. Eenmaal aangesloten kan de medewerker bij normale snelheden vrij bewegen binnen de aanbevolen werkruimte. Laat bij gebruik van een SRD de reddingslijn altijd gecontroleerd terugrollen in het apparaat. Er kan een kort statisch koord nodig zijn om de reddingslijn uit of op te rollen tijdens het aansluiten en losmaken. Er kan een kort statisch koord worden gebruikt om ongecontroleerd oprollen van de reddingslijn in de SRD te voorkomen. Afhankelijk van de arbeidsomgeving en de omstandigheden kan het nodig zijn om het vrije uiteinde van het statische koord vast te zetten, om interferentie en verstrikking met apparatuur of machines te voorkomen.
- 4.6 RSQ™ VALSTOPSTAND/AFDALINGSSTAND SELECTEREN:** DBI-SALA RSQ™ Dual-Mode SRL's zijn uitgerust met een RSQ-knop om de valstop- of afdalingsstand van de SRL te selecteren (zie afbeelding 10). Wanneer de RSQ-selectieknop is ingesteld op 'Valstop', zal de SRL de val stoppen. Wanneer de RSQ-selectieknop is ingesteld op 'Afdalen', zal de SRL de gebruiker automatisch laten afdalen naar een lager niveau wanneer er een val plaatsvindt. De valstopstand of afdalingsstand selecteren:
1. Trek de RSQ™-vergrendelingsknop naar buiten.
  2. Draai de RSQ™ vergrendelingskop totdat de pijl op de bovenkant van de knop de inkeping voor afdalingsstand (A) of valstopstand (B) aanwijst en de RSQ™-vergrendelingsknop in de inkeping van de betreffende selectie klikt (zoals weergegeven in afbeelding 10).

**RSQ-afdalingsstand:** In afdalingsstand daalt de gebruiker automatisch af naar een lager niveau in het geval van een val.

**RSQ-valstopstand:** In valstopmodus stopt de SRD de val en blijft de gebruiker op dezelfde plek. Afdaling wordt geactiveerd en gecontroleerd met de RSQ™-vergrendelingsknop of een optioneel ontgrendelingshulpmiddel (zie afbeelding 11):

- **Trekking van de vergrendelingsknop:** Afbeelding 11 illustreert de werking van de trekking van de vergrendelingsknop. Om de valstopstand uit te schakelen en de afdaling te beginnen, pakt u de trekking vast en trekt u de vergrendelingsknop naar buiten (A). Om de afdaling te stoppen, laat u de trekking los waardoor de valstopstand (B) weer geactiveerd wordt. Om de afdalingsstand volledig te activeren zodat de afdaling blijft doorgaan zonder dat er aan de trekking getrokken hoeft te worden, draait u de vergrendelingsknop tegen de klok in (C) totdat de pijl op de bovenkant van de knop de inkeping voor afdalingsstand aanwijst (zie afbeelding 10).

*Er is 0,36 kN - 0,45 kN trekkracht nodig om de vergrendelingsknop voldoende uit te trekken en daarmee uit de valstopstand te halen.*

- **Ontgrendelingshulpmiddel van de verlengstok:** Plaats het ontgrendelingshulpmiddel van de verlengstok zodanig dat de ontgrendelingsvork zich rondom de basis van de vergrendelingsknop bevindt, onder de gekartelde rand en de trekking (zie afbeelding 11D). Om de valstopstand te deactiveren en de afdaling te beginnen, drukt u de verlengstok naar voren totdat de RSQ™-vergrendelingsknop volledig vastzit in de vork. Zolang de RSQ™-vergrendelingsknop volledig vastzit in de vork, blijft de afdaling doorgaan. Verwijderen van de vork kan tot gevolg hebben dat het apparaat weer in de valstopstand komt.

*De ontgrendelingsvork van het ontgrendelingshulpmiddel van de verlengstok is zodanig gevormd dat de RSQ™-vergrendelingsknop recht naar buiten wordt getrokken als u de vork naar voren duwt. U hoeft dus niet te proberen met behulp van de verlengstok de vergrendelingsknop naar buiten te wrikken. Door te wrikken kunt u de knop afbreken.*

*Sealed-Blok RSQ valstopapparaten (SRL's) zijn alleen bedoeld voor gebruik in noodgevallen. Ze mogen alleen gebruikt worden voor een enkele, verticale afdaling. Wanneer de SRL wordt gebruikt om af te dalen, stel deze dan onmiddellijk buiten werking en stuur hem naar een geautoriseerd Servicecentrum voor reparatie.*

- 4.7 TERUGHAALFUNCTIE:** Afbeelding 12 toont de werking van de geïntegreerde krukarm voor redding op de Sealed-Blok SRL-R met terughaalfunctie. Probeer de terughaalfunctie niet te gebruiken wanneer de reddingslijn volledig is opgerold. De terughaalstand activeren en de reddingskrukarm gebruiken:

1. Maak de blokkeerduimschroeven los om de krukarm vrij te maken.
2. Draai de terughaalhendel 90° omhoog van de SRL.
3. Trek de schuifknop uit en houd deze in de ontgrendelde positie.
4. Druk de krukarm in en laat de schuifknop los om te vergrendelen. Draai eventueel de krukarm met de klok mee voor een betere vergrendeling.
5. Hijs de reddingslijn of laat hem zakken zoals weergegeven in afbeelding 12:
  - A. Heffen: Draai de krukarm rechtsom.
  - B. Laten zakken: Draai de krukarm linksom. Na valstop; draai de krukarm eerst naar rechts om de valopvangrem vrij te maken, en draai de krukarm vervolgens linksom.

*De integrale reddingshandslinger op 3-wegs noodgeval SRL-R modellen is alleen voor reddingsdoeleinden en mag niet worden gebruikt voor werkpositionering of het heffen/af dalen van materiaal.*

*DBI-SALA SRL-R's hebben geen overbelastingskoppeling om de kracht te beperken die op de componenten en de verbonden persoon worden uitgeoefend. Vermijd speling op de kabel in terughaalstand. Tevens moeten de personen tijdens het terughalen worden gecontroleerd, om er zeker van te zijn dat ze niet blootstaan aan overmatige krachten gedurende het terughalen.*

*Een minimumbelasting van 33,9 kg is vereist voor het laten zakken of vieren van de reddingslijn. Een kracht van 0,13 kN is vereist om het terughaalsysteem te bedienen wanneer het volledig is beladen.*

*Stop met draaien wanneer de lijn helemaal is afgerold of opgerold. Als u doorgaat met draaien, kunnen onderdelen beschadigd raken.*

- 4.8 UITSCHAKELING VAN DE TERUGHAALSTAND:** Het uitschakelen van de terughaalstand:

*Wanneer de terughaalstand is uitgeschakeld, rollen alle reddingslijnen op in de SRL. Om mogelijke verwondingen te voorkomen rolt u de reddingslijn op voor het uitschakelen of houdt u hem vast.*

1. Hef alle belasting van de reddingslijn op.
2. Trek de schuifknop uit en houd deze in de ontgrendelde positie.
3. Trek de krukarm uit tot de uitgeschakelde positie en laat vervolgens de schuifknop los.
4. Trek de terughaalhendel uit en draai de hendel in richting van de SRL in de opslagpositie.

## 5.0 Inspectie

- 5.1 RFID-LABEL:** Het zelfintrekkende valstopapparaat heeft een label voor radiofrequentie-identificatie (RFID-label) (zie afbeelding 13). Het RFID-label kan samen met de draagbare lezer en het webportaal worden gebruikt voor het vereenvoudigen van de inspectie en inventariscontrole en biedt logboekmogelijkheden voor uw valbeschermingsapparatuur. Neem voor meer informatie contact op met een vertegenwoordiger van de 3M-klantenservice (zie achterzijde). Volg de instructies die bij uw draagbare afleesapparaat zijn meegeleverd of op het webportaal om uw gegevens naar uw weblog te verzenden.

- 5.2 INSPECTIEFREQUENTIE:** Het Sealed-Blok-valstopapparaat moet worden geïnspecteerd met de frequentie gedefinieerd in Sectie 2.2 (Inspectiefrequentie). De inspectieprocedures zijn beschreven in het "Logboek voor inspectie en onderhoud" (tabel 3).

*Extreme werkomstandigheden (ruige omgeving, langdurig gebruik, enz.) kunnen een verhoogde frequentie van inspecties vereisen.*

- 5.3 ONVEILIGE OF GEBREKKIGE OMSTANDIGHEDEN:** Als bij inspectie een defect of onveilige werking aan het licht komt, stelt u het valstopapparaat onmiddellijk buiten gebruik. Vervolgens markeert u het als "ONBRUIKBAAR" en voert u een inspectie door een deskundige uit om de opties voor gebruik te bepalen.

Alleen 3M of schriftelijk gemachtigde partijen mogen reparaties anders dan FAST-Line-reddingslijn vervanging van deze apparatuur uitvoeren.

- 5.4 LEVENSDUUR VAN HET PRODUCT:** De levensduur van de DBI-SALA valstopapparaten wordt bepaald door de gebruiksomstandigheden en onderhoud. Zolang het product bij inspectie aan de criteria voldoet, kan het in gebruik blijven.

## 6.0 ONDERHOUD, SERVICE en OPSLAG

- 6.1 SCHOONMAKEN:** De reinigingsprocedures voor het valstopapparaat zijn als volgt:


- Maak de buitenkant van de SRD regelmatig schoon met water en een milde zeepoplossing. Plaats de SRD zodanig dat overtollig water eruit kan weglopen. Zorg ervoor dat labels schoon zijn.
- Reinig de reddingslijn met water en een milde zeepoplossing. Spoel af en droog grondig aan de lucht. Droog niet geforceerd met warmte. Overmatige opbouw van vuil, verf, e.d. kan ervoor zorgen dat de valstoplijn niet meer volledig teruggaat in de behuizing, wat een mogelijk valgevaar kan vormen. Vervang de reddingslijn indien er sporen zijn van overmatige opbouw.

- 6.2 SERVICE:** FAST-line reddingslijnen kunnen in het veld worden vervangen door een deskundige<sup>1</sup>. zie afbeelding 1 voor de vereiste FAST-Line-reddingslijn vervangingsset. Installeer de reddingslijn volgens de instructies in de onderhoudshandleiding (5903076), meegeleverd met de FAST-Line-set. Voer altijd een volledige inspectie door een deskundige uit na het vervangen van de FAST-Line-reddingslijn. Aanvullende service moet, bepaald op basis van de inspectie door de deskundige, worden uitgevoerd door een geautoriseerd servicecentrum. Probeer de SRD niet uit elkaar te halen of onderdelen zelf te smeren.

- 6.3 OPSLAG EN TRANSPORT:** Bewaar en vervoer het valstopapparaat in een koele, droge, schone omgeving, buiten het bereik van direct zonlicht. Vermijd plekken waar chemische dampen kunnen voorkomen. Inspecteer de SRD grondig na een langere periode van opslag.

## 7.0 Labels

Afbeelding 20 toont labels op de Sealed-Blok zelfintrekkende valstopapparaten van Rebel en hun locaties. Alle labels moeten aanwezig zijn op het zelfintrekkende valstopapparaat. Labels moeten worden vervangen wanneer ze niet volledig leesbaar zijn. Elk label bevat de volgende informatie:

	Lees alle instructies.
(A)	Lengte van de reddingslijn (maximale tilafstand)
(B) (C)	1) Correcte valstopverbinding voor SRD. 2) Temperatuurbereik voor gebruik: -40° C tot +60° C. 3.1) De SRD altijd boven het hoofd verankeren. 3.2) Veranker de SRD nooit lager dan het harnasverbindingpunt aan de rugzijde. 4) Maximale capaciteit: 140 kg <sup>(B)</sup> /135 kg <sup>(C)</sup> . 5) Inspecteer de musketonhaak en de impactindicator. 6) Inspecteer het blokkeren van het valstopapparaat. Er moet een toon hoorbaar zijn wanneer de SRD blokkeert. 7) De SRD niet over een rand heen belasten. 8) Inspecteer de karabijnhaak en de impactindicator. De SRD niet gebruiken wanneer impact is geïndiceerd. 9) Controleer de reddingslijn terwijl deze terugloopt in de SRD. 10) Zwenkvalgevaar. De hoek van de reddingslijn met nagenoeg verticaal zijn. 11.1) Niet repareren. 11.2) Onderhoud en reparaties dienen alleen te worden uitgevoerd door personeel dat is bevoegd door 3M. 12) Bewaren in een koele, droge, schone omgeving, uit de buurt van direct zonlicht. 13) Niet gebruiken als de band van de reservereddingslijn is blootgesteld. 14) Verwijder de labels niet. Labels dienen aanwezig en volledig leesbaar te zijn. 15) Maximale afdalingshoogte 16) Verbindingspunt voor secundaire verankering vallend object 17) Jaar en maand van fabricage, partijnummer, modelnummer 18) Lengte van reddingslijn (maximale hijshoogte). 19) Lees de FAST-Line onderhoudshandleiding (5903076). 20) Terughaaifunctie: (A) Draai de blokkeerduimschroef los. (B) Draai de terughaahendel omhoog. (C) Trek aan de schuifknop en houd deze vast. (D) Druk de kruk in en laat de schuifknop los. Draai eventueel de krukarm met de klok mee voor een betere inschakeling van de versnelling. Draai de krukarm linksom om te verhogen. Draai de krukarm rechtsom om te verlagen. (E) Laat de schuifknop los om de krukarm vast te zetten.
(D)	Dit product is geschikt voor gebruik met Radio Frequentie Identificatie (RFID) en bevat een elektronisch label dat gelezen kan worden met behulp van een compatibel leessysteem. Dit geeft u informatie over inspectielogboeken, inventarisbeheer en andere veiligheidsinformatie.
(E) (F)	A) Serienummer B) Modelnummer C) Fabricagedatum D) Partijnummer E) Onderhoudsdatums
(G)	Laten zakken: Draai de krukarm eerst lichtelijk linksom om de valstoprem vrij te maken, en draai de krukarm vervolgens rechtsom. Omhoog tillen: Draai de krukarm linksom. Maximale hijsbelasting: 135 kg
(H) (I)	Trek de RSQ-inschakelingsknop uit en draai deze totdat de pijl naar de geselecteerde stand wijst: (D) Afdalen, (E) Valstop

**1 Deskundige:** Een persoon die door zijn werkgever is aangeduid als verantwoordelijke voor de directe supervisie, uitvoering en opvolging van het door de werkgever beheerde programma voor valbescherming, die op basis van zijn opleiding en kennis in staat is de bestaande en potentiële valrisico's te identificeren, te evalueren en aan te pakken, en die van de werkgever de bevoegdheid heeft gekregen om onmiddellijk corrigerende maatregelen te nemen in verband met dergelijke risico's.

**Tabel 3 – Inspectie- en onderhoudslogboek**

<b>Serienummer(s):</b>		<b>Aankoopdatum:</b>	
<b>Modelnummer:</b>		<b>Datum van eerste gebruik:</b>	
<b>Geïnspecteerd door:</b>		<b>Inspectiedatum:</b>	
<b>Onderdeel:</b>	<b>Inspectie:</b>	<b>Vóór elk gebruik</b>	<b>Deskundige</b>
SRD (Afbeelding 14)	Inspecteer op losse bouten en verbogen of beschadigde onderdelen.	<input type="checkbox"/>	<input type="checkbox"/>
	Inspecteer de ombouw (A) op vervorming, barsten of andere schade.	<input type="checkbox"/>	<input type="checkbox"/>
	Inspecteer het draaipunt (B) op vervorming, barsten of andere schade. Het draaipunt moet veilig aan de SRL bevestigd zijn, maar vrij kunnen draaien.	<input type="checkbox"/>	<input type="checkbox"/>
	De reddingslijn (C) moet soepel volledig uittrekken en weer terugtrekken zonder verlies van spanning op de lijn.	<input type="checkbox"/>	<input type="checkbox"/>
	Controleer of het apparaat zich vergrendelt wanneer er hard aan de reddingslijn wordt getrokken. Het blokkeren moet duidelijk optreden, zonder slippen. OPMERKING: SLR's met RSQ moeten zich in valstopmodus bevinden voor deze test (zie afbeelding 8)	<input type="checkbox"/>	<input type="checkbox"/>
	De labels moeten aanwezig en volledig leesbaar zijn (zie "Labels")	<input type="checkbox"/>	<input type="checkbox"/>
	Onderzoek het gehele apparaat op sporen van corrosie.	<input type="checkbox"/>	<input type="checkbox"/>
Musketonhaak en impactindicator (Afbeelding 15)	Inspecteer de draaibare musketonhaak op tekenen van schade of corrosie en op werkzaamheid. Het zwenksysteem moet vrij kunnen draaien. Inspecteer de impactindicator. Wanneer de rode strook wordt weergegeven (aangegeven modus), is er stootbelasting opgetreden en moet de SRL buiten gebruik worden genomen en worden geïnspecteerd. Probeer de impactindicator niet zelf te resetten. Zend de eenheid retour naar een geautoriseerd servicecentrum voor resetten. OPMERKING: Het draaipunt draait niet vrijelijk wanneer de impactindicator zich in de aangegeven modus bevindt.	<input type="checkbox"/>	<input type="checkbox"/>
	<input checked="" type="checkbox"/> <b>FAST-Line betekent LEVENSDUUR:</b> Als de rode band op de wartelkarabijnhaak-impactindicator wordt weergegeven (geïndiceerde modus); neem dan contact op met 3M over onderhoud door een geautoriseerd servicecentrum, of vervang de FAST-Line-reddingslijn volgens de instructies in de <i>onderhoudshandleiding voor de "FAST-Line-reddingslijvervangingsset (5903076)"</i> en voltooi de inspectie door de deskundige.		<input type="checkbox"/>
FAST-Line-kabeltouwreddingslijn (Afbeelding 16)	Inspecteer het kabeltouw op insnijding, knikken, gebroken draden, kooivorming, lasschade, corrosie, chemische contactoppervlakken of ernstig afgesleten gebieden. Schuif de kabelbumper omhoog en inspecteer draadogen op breuken of schade. Inspecteer het kabeltouw op corrosie en gebroken draden. Vervang de kabeltouwconstructie als er zes of meer willekeurig verdeelde gebroken draden in één wikkel zijn, of als er drie of meer gebroken draden in één streng van één wikkel zijn. Een wikkel is de lengte staaldraad die nodig is om een streng (de grotere groepen van draden) één omwikkeling om de draad te draaien. Vervang de kabeltouwconstructie als er draden gebroken zijn binnen 25 mm (1 inch) van de draadogen.	<input type="checkbox"/>	<input type="checkbox"/>
	<input checked="" type="checkbox"/> <b>FAST-Line betekent LEVENSDUUR:</b> Als inspectie in de vorige stap vervanging van de reddingslijn aangeeft; neem dan contact op met 3M over onderhoud door een geautoriseerd servicecentrum, of vervang de FAST-line-reddingslijn volgens de instructies in de <i>"FAST-Line-reddingslijn vervangingsset onderhoudshandleiding (5903076)"</i> en voltooi de inspectie door de deskundige.		<input type="checkbox"/>
Reserverreddingslijn (Afbeelding 17)	Inspecteer het uitrollen van het reserveborgtouw. Indien een val is gestopt met het grootste deel van de reddingslijn uitgerold, kan het zijn dat de reserverreddingslijn is geactiveerd. Trek de reddingslijn zo ver mogelijk uit de SRD. Als de knopstop (A) naar buiten komt en zichtbaar is, is de reserverreddingslijn verbruikt en moet de reddingslijn worden vervangen.	<input type="checkbox"/>	<input type="checkbox"/>
	<input checked="" type="checkbox"/> <b>FAST-Line betekent LEVENSDUUR:</b> Als inspectie in de vorige stap uitwijst dat de reddingslijn moet worden vervangen; neem dan contact op met 3M over onderhoud door een geautoriseerd servicecentrum, of vervang de FAST-line-reddingslijn volgens de instructies in de <i>"FAST-Line-reddingslijn vervangingsset onderhoudshandleiding (5903076)"</i> en voltooi de inspectie door de deskundige.		<input type="checkbox"/>
RSQ-componenten (Afbeelding 18)	Een handmatige trekkrachttest dient te worden uitgevoerd op RSQ™-componenten voor ieder gebruik: 1. Stel RSQ-knop in de stand Descent (af dalen) (Diagram 4). 2. Neem de reddingslijn en trek stevig om het afdalingsmechanisme in te schakelen. 3. Trek de kabel rustig verder uit tot een lengte van naar schatting 1 m. Er moet een constante weerstand voelbaar zijn wanneer u de kabel eruit trekt.	<input type="checkbox"/>	<input type="checkbox"/>
Integrale handmatige reddingsophaalarm (Afbeelding 19)	Inspecteer de krukarm (A) op vervorming of andere schade. Controleer of de ophaalhendel (B) naar buiten kan draaien en kan worden vastgezet in de juiste positie.	<input type="checkbox"/>	<input type="checkbox"/>
	Zorg ervoor dat de ophaalschuifknop (C) kan worden uitgetrokken in de ontgrendelde positie en daarna losgelaten, waarbij de krukarm wordt vergrendeld in zowel de ingeschakelde als de uitgeschakelde posities.	<input type="checkbox"/>	<input type="checkbox"/>
	Test de ophaalfunctie op correcte werking door een testgewicht van minstens 34 kg te heffen en te laten zakken. Wanneer de ophaalhendel wordt losgelaten, mag het gewicht niet bewegen en moet de ophaalhendel in dezelfde stand blijven staan (geen beweging). Tijdens het ophalen van de lading hoort u een 'klikkend' geluid.	<input type="checkbox"/>	<input type="checkbox"/>
<b>Oplossing/Onderhoud:</b>		Goedgekeurd door:	
		Datum:	
<b>Oplossing/Onderhoud:</b>		Goedgekeurd door:	
		Datum:	
<b>Oplossing/Onderhoud:</b>		Goedgekeurd door:	
		Datum:	
<b>Oplossing/Onderhoud:</b>		Goedgekeurd door:	
		Datum:	
<b>Oplossing/Onderhoud:</b>		Goedgekeurd door:	
		Datum:	
<b>Oplossing/Onderhoud:</b>		Goedgekeurd door:	
		Datum:	

Vennligst les, forstå og følg all sikkerhetsinformasjon i disse instruksjonene før du tar i bruk denne selvinntrekkingsenheten (SRD). UNNLATELSE AV Å GJØRE DETTE KAN FØRE TIL ALVORLIG SKADE ELLER DØD.

Disse instruksjonene må gis til brukeren av utstyret. Ta vare på disse instruksjonene for fremtidig referanse.

## Tilsiktet bruk:

Denne selvinntrekkingsenheten er beregnet for bruk som del av et komplett personlig fallsikringssystem.

Bruk i en hvilken som helst annen sammenheng inkludert, men ikke begrenset til, materialhåndtering, fritidsbruk eller idrettsrelaterte aktiviteter, eller andre aktiviteter som ikke beskrives i Brukerinstruksjonene, er ikke godkjent av 3M og kan resultere i alvorlig personskade eller død.

Denne innretningen skal bare brukes av opplærte brukere i arbeidsplassanvendelser.

## ! ADVARSEL

Denne selvinntrekkingsenheten er del av et personlig fallsikringssystem. Det forventes at alle brukere er fullt opplært i sikker installering og betjening av deres personlige fallsikringssystem. **Misbruk av denne innretningen kan resultere i alvorlig personskade eller død.** For riktig utvelgelse, betjening, installering, vedlikehold og service, se disse Bruksanvisningene, inkludert alle produsentens anbefalinger, snakk med din arbeidsleder, eller kontakt 3M-tekniske tjenester.

- **For å redusere risikoen som er forbundet med å arbeide med en SRD som, om det ikke unngås, kan resultere i alvorlig personskade eller død:**
  - Før hver enkelt bruk inspiseres SRD-en og sjekkes for skikkelig låsing og inntrekking.
  - Hvis inspeksjonen avdekker en utrygg eller defekt tilstand, må enheten tas ut av tjeneste og du må ta kontakt med et autorisert servicesenter for å få den reparert.
  - Hvis SRD-en har vært utsatt for fallstans eller stor kraft, må du straks ta SRD-en ut av tjeneste og merke enheten "UBRUKELIG".
  - Pass på at livlinen holdes fri fra alle hindringer inkludert, men ikke begrenset til; innsurring i bevegelig maskineri eller utstyr (f.eks., rotasjonssystemet for oljerigger), andre arbeidere, deg selv, omgivende gjenstander, eller støt fra overliggende gjenstander som kan falle ned på livlinen eller arbeideren.
  - Tillat aldri slark i livlinen. Ikke bind eller slå knute på livlinen.
  - Fest de ubrukte bena i seletøymontert SRD til parkeringsfestene i seletøyet hvis det er utstyrt.
  - Ikke bruk i applikasjoner som har en blokkert fallbane. Arbeid på materiale som langsomt forskyver seg, som sand eller kornet overflate, eller arbeid på trange eller innestengte plasser, vil kunne gjøre det umulig for arbeideren å oppnå tilstrekkelig hastighet til at SRD-en kan låse seg. For at SRD-en skal låses sikkert, trengs det en fri bane for fallet.
  - Unngå plutselige eller raske bevegelser under normal arbeidsoperasjon. Dette kan forårsake at innretningen låser seg.
  - Sørg for at fallsikringssystemer/undersystemer som er satt sammen av komponenter fremstilt av forskjellige produsenter er kompatible og oppfyller kravene i gjeldende standarder, inkludert ANSI Z359 eller andre gjeldende fallsikringsnormer, standarder eller krav. Rådfør deg alltid med en kompetent og/eller kvalifisert person før du bruker disse systemene.
- **For å redusere risikoen som er forbundet med arbeid i høyden, om det ikke unngås, kan resultere i alvorlig personskade eller død:**
  - Sørg for at din helse og fysiske tilstand gjør det mulig for deg sikkert å motstå alle de krefter som er forbundet med arbeid i høyden. Rådfør deg med legen din hvis du har noen spørsmål angående din evne til å bruke dette utstyret.
  - Du må aldri overskride tillatt kapasitet for ditt fallsikringsutstyr.
  - Du må aldri overskride maksimal frifallavstand for ditt fallsikringsutstyr.
  - Ikke bruk noe fallsikringsutstyr som ikke består inspeksjoner før bruk eller andre planmessige inspeksjoner, eller dersom du har bekymringer om bruken, eller om hvor egnet utstyret kan være for ditt bruksområde. Kontakt 3M Tekniske tjenester med eventuelle spørsmål.
  - Noen delsystemer og delekombinasjoner kan hindre bruken av dette utstyret. Bruk kun kompatible koblinger. Kontakt 3M dersom dette utstyret blir brukt sammen med andre komponenter eller delsystemer enn de som beskrives i brukerinstruksjonene.
  - Utvis ekstra forsiktighet når du arbeider rundt bevegelig maskineri (f.eks. rotasjonssystemet for oljerigger), elektriske farer, ekstreme temperaturer, kjemiske farer, eksplosive eller giftige gasser, skarpe kanter, eller nedenfor overhengende materialer som kan falle ned på deg eller ditt fallsikringsutstyr.
  - Bruk lysbueflamme eller Hot Works-innretninger når du arbeider i miljøer med høy varme.
  - Unngå overflater og gjenstander som kan skade brukeren eller utstyret.
  - Sørg for at det er tilstrekkelig fallklaring når du arbeider i høyden.
  - Du må aldri modifisere eller endre på ditt fallsikringsutstyr. Bare 3M eller virksomheter med skriftlig godkjennelse kan reparere dette utstyret.
  - Før bruk av fallsikringsutstyr, pass på at det finnes en redningsplan som muliggjør rask redning hvis et falluhell skulle inntreffe.
  - Hvis et falluhell inntreffer, søk umiddelbart medisinsk hjelp for den arbeideren som har falt.
  - Ikke bruk støttebelter til fallstoppbruk. Bruk kun en helkroppssele.
  - Minimer svingfall ved å arbeide så rett under forankringspunktet som mulig.
  - Hvis du trener med denne innretningen, må et sekundært fallsikringssystem benyttes på en slik måte at det ikke eksponerer lærlingen for en utilsiktet fallfare.
  - Ha alltid på hensiktsmessig personlig verneutstyr når du installerer, bruker eller inspiserer innretningen/systemet.



Skriv ned produktidentifikasjonen fra ID-merket i inspeksjons- og vedlikeholdsloggen på baksiden av denne veiledningen før installasjon og bruk av utstyret.

## BESKRIVELSE:

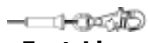
Figur 2 viser nøkkelkomponentene i DBI-SALA® Sealed-Blok-selvinntrekkende enheter. Sealed-Blok-selvinntrekkende enheter (SRD-er) er trommelviklede vaierlivliner (A) som trekkes inn i et aluminiumshus (B). De kan henge fra et takfeste i en karabinkrok som er festet gjennom svingfestet (C) i toppen av SRL-livlinen. En selvlåsende krok (D) på enden av livlinen er festet til den designerte fallsikringskoblingen på en hel kroppssele. En støtdemper (E) beskytter ståltauet og ringbeslag ved å sikre karabinkroken mot slitasje og korrosjon.

Figur 1 definerer Sealed-Blok SRD-modellene som dekkes av denne brukerveiledningen. De følgende SRD-typer er tilgjengelige:

- **Selvinntrekkende line (figur 2A):** Selvinntrekkende liner (SRL-er) egner seg til bruksområder der livlinen holder seg vertikal under bruk og der mulig fritt fall er begrenset til 0,6 m.
- **Selvinntrekkende line med redningsenhet (RSRL):** Selvinntrekkende liner med redningsenhet inkluderer en integrert metode for assistert redning gjennom løfting eller senking av personen som reddes. RSRL-er er utstyrt med en 3-veis håndveiv for nødredning (figur 2B). SRL-RSQ-er er utstyrt med en RSQ-rednings-/nedstigningskobling (figur 2C). Noen redningsmodeller er utstyrt med begge redningskomponentene (figur 2D). Noen modeller kan inkludere en monteringsbrakett for å montere SRL-en på benet til et trebent stativ for bruk på trange steder.

**Tabell 2 – Spesifikasjoner**

Eiere av FAST-Line Sealed Blok SRL-er med en produksjonsdato etter 4. januar 2015 trenger ikke lenger å sende sine Fast-Line SRL-er tilbake til Capital Safety for resertifisering i tilfelle fall eller hvis støtindikatoren indikerer at kroken må skiftes ut. Skift ganske enkelt ut kabelen og kroken via FAST-Line i samsvar med servicehåndboken for FAST-Line (5903076) og la en kvalifisert person utføre en inspeksjon.

 Fast-Line	Beskrivelse av livline	Krok
3401403	15 m (50 ft) med 4,76 mm (3/16 in) galvanisert stålkabel, selvlåsende svivelkarabinkrok i belagt stål med indikator.	2000126
3401714	15 m (50 ft) med 4,76 mm (3/16 in) stålkabel i rustfritt stål, svivelkarabinkrok i rustfritt stål med indikator.	2100127
3900105	15 m (50 ft) med 4,76 mm (3/16 in) galvanisert stålkabel, selvlåsende svivelkarabinkrok i belagt stål med indikator.	2000180
3900106	15 m (50 ft) med 4,76 mm (3/16 in) stålkabel i rustfritt stål, selvlåsende svivelkarabinkrok i belagt stål med indikator.	2000180
3900107	15 m (50 ft) med 4,76 mm (3/16 in) stålkabel i rustfritt stål, selvlåsende svivelkarabinkrok i rustfritt stål med indikator.	2000181
3900108	26 m (85 ft) med 4,76 mm (3/16 in) galvanisert stålkabel, selvlåsende svivelkarabinkrok i belagt stål med indikator.	2000180
3900109	26 m (85 ft) med 4,76 mm (3/16 in) stålkabel i rustfritt stål, selvlåsende svivelkarabinkrok i belagt stål med indikator.	2000180
3900111	26 m (85 ft) med 4,76 mm (3/16 in) stålkabel i rustfritt stål, selvlåsende svivelkarabinkrok i rustfritt stål med indikator.	2000181
3900124	26 m (85 ft) med 4,76 mm (3/16 in) stålkabel i rustfritt stål, svivelkarabinkrok i rustfritt stål med indikator.	2100127
3900112	40 m (130 ft) med 4,76 mm (3/16 in) galvanisert stålkabel, selvlåsende svivelkarabinkrok i belagt stål med indikator.	2000180
3900113	40 m (130 ft) med 4,76 mm (3/16 in) stålkabel i rustfritt stål, selvlåsende svivelkarabinkrok i belagt stål med indikator.	2000180
3900114	40 m (130 ft) med 4,76 mm (3/16 in) stålkabel i rustfritt stål, selvlåsende svivelkarabinkrok i rustfritt stål med indikator.	2000181
3900168	53 m (175 ft) med 4,76 mm (3/16 in) galvanisert stålkabel, selvlåsende svivelkarabinkrok i belagt stål med indikator.	2000180
3900169	53 m (175 ft) med 4,76 mm (3/16 in) stålkabel i rustfritt stål, selvlåsende svivelkarabinkrok i belagt stål med indikator.	2000180
3900170	53 m (175 ft) med 4,76 mm (3/16 in) stålkabel i rustfritt stål, selvlåsende svivelkarabinkrok i rustfritt stål med indikator.	2000181

Krok	Beskrivelse	Materiale	Portstyrke	Halsstørrelse
2000126	Selvlåsende, svivelkarabinkrok med støtindikator	Stållegering	16 kN (3600 lbs)	1,90 m (3/4 in)
2000180	Selvlåsende, svivelkarabinkrok med støtindikator	Stållegering	16 kN (3600 lbs)	1,90 m (3/4 in)
2000181	Selvlåsende, svivelkarabinkrok med støtindikator	Rustfritt stål	16 kN (3600 lbs)	1,90 m (3/4 in)
2100127	Sviveløye med støtindikator	Rustfritt stål	—	2,5 cm (1 in) dia.

<b>Deksel:</b>	Forseglet aluminiumsdeksel
<b>Strekkfasthet stålkabellivline:</b>	Galvanisert stål - min. strekkfasthet 18,7 kN (4200 lbs) Rustfritt stål - min. strekkfasthet 16,0 kN (3600 lbs)
<b>Maksimum bremsekraft:</b>	6 kN (1350 lbs)
<b>Gjennomsnittlig bremsekraft:</b>	4 kN (900 lbs)
<b>Maksimal stoppedistans:</b>	1,1 m (42 in)
<b>Gjennomsnittlig låsningshastighet:</b>	1,4 m/s (4,5 ft/s)
<b>RSQ-nedstigningshastighetsområde:</b>	0,6 - 0,9 m/s (2-3 ft/s)
<b>Minimum fallklaring:</b>	1,8 m (6 ft) ved 140 kg (310 lbs)

## 1.0 BRUKSOMRÅDER

- 1.1 FORMÅL:** 3M selvinntrekkende enheter (SRD-er) er konstruert for å utgjøre en komponent i et personlig fallsikringssystem (PFAS). Figur 1 viser SRD-er som dekkes av denne brukerveiledningen og deres typiske bruksområder. De kan brukes i situasjoner hvor arbeidere har behov for både mobilitet og fallsikring (inspeksjonsarbeid, vanlig bygningsarbeid, vedlikeholdsarbeid, oljeproduksjon, arbeid i plassbegrensede områder osv.).
- 1.2 STANDARDER:** SRD-en oppfyller kravene til nasjonale standarder som oppgis på omslaget til denne brukerveiledningen. Hvis dette produktet selges utenfor det opprinnelige destinasjonslandet, må forhandleren stille disse instruksjonene til rådighet på språket i det aktuelle landet der produktet vil bli brukt.
- 1.3 OPPLÆRING:** Dette utstyret er beregnet på bruk av personer som har fått opplæring i korrekt bruk. Det er brukerens ansvar å sørge for at de kjenner til denne veiledningen, og har fått opplæring i korrekt vedlikehold og bruk av utstyret. Brukere må være kjent med bruksegenskapene, begrensningene for bruk og konsekvensene av uriktig bruk.
- 1.4 BEGRENSNINGER:** Ta alltid hensyn til følgende begrensninger og krav ved installering eller bruk av dette utstyret:

- **Kapasitet:** Denne SRD-en er testet for bruk av én person med en total vekt (klær, verktøy, osv.) på mellom 59 kg 140 kg (130-310 lbs).<sup>1</sup> Sørg for at alle komponentene i systemet er godkjent for en kapasitet som er egnet for bruksområdet.
- **Forankring:** SRD-ens forankringsstruktur må kunne tåle en belastning på opptil 12 kN (2697 lbs). Ankerinnretninger må være i overensstemmelse med EN795.
- **Låsehastighet:** Unngå situasjoner som gjør det umulig å ha en hindringsfri fallbane. Arbeid på svært snevre eller trange områder kan føre til at kroppen ikke oppnår tilstrekkelig hastighet til at SRD-en låser seg ved et mulig fall. Arbeid på materialer som flytter seg sakte, for eksempel sand eller grus, kan føre til at hastigheten ikke bygger seg opp raskt nok til at SRD-en låser seg. For at SRD-en skal kunne låse seg, er det nødvendig med en fri bane for fallet.
- **Fritt fall:** Når SRD-er brukes korrekt begrenser de fritt-fall-avstanden til 61 cm (2 ft). For å unngå større fallavstander, må det ikke arbeides over forankringsnivået. **Ikke gjør SRD-er lengre ved å koble til en støtteline eller lignende komponent uten å rådføre deg med 3M.** Livlinen må aldri klemmes, knyttes eller på noen annen måte hindres i å trekkes inn eller spennes. Unngå slakk line.
- **Svingfall:** Svingfall forekommer når forankringspunktet ikke er direkte over punktet hvor et fall oppstår. Kraften av sammenstøt med et objekt i et svingfall kan medføre alvorlig skade (se figur 3A). Begrens svingfall ved å arbeide så rett under forankringspunktet som mulig (figur 3B). Arbeid som utføres unna forankringspunktet (figur 3C) skaper et større svingfall og øker den nødvendige fallklaringen (FC).
- **Fallklaring:** Figur 3B viser beregningen av fallklaringen. Fallklaring (FC) er summen av fritt fall (FF), bremselengde (DD) og en sikkerhetsfaktor (SF):  $FC = FF + DD + SF$ . D-ringglidning og selestrekkning er inkludert i sikkerhetsfaktoren. Fallklaringsverdier er beregnet og kartlagt i figur 4. En sikkerhetsfaktor på 1 m (3,28 ft) ble brukt for alle verdier i figur 4.

Figur 3B og 3C viser fallklaringen. For fall fra stående stilling, hvor SRD-en er forankret rett over hodet (figur 3B), skal SRD-fallsikringssystemer ha minimum fallklaringer som angitt i tabell 1. Fall fra en knelende eller bøyd stilling krever ytterligere 1 m (3 ft) fallklaring. I en svingfallsituasjon (figur 3C), vil den totale loddrette fallavstanden være større enn hvis brukeren hadde falt direkte under forankringspunktet og dette kan kreve ekstra fallklaring. Figur 4 og medfølgende tabell definerer maksimal arbeidsradius (C) for ulike SRD-forankringshøyder (A) og fallklaringer (B). Den anbefalte arbeidssonen er begrenset til det området som befinner seg innenfor maksimal arbeidsradius.

- **Farer:** Hvis utstyret brukes i farlige områder, kan det være nødvendig med ekstra forholdsregler for å redusere faren for personskader eller skader på utstyret. Farer kan bl.a. inkludere: sterk varme, kaustiske kjemikalier, korrosive miljøer, høyspentlinjer, eksplosive eller giftige gasser, maskinelt utstyr i bevegelse eller overliggende/-hengende materialer som kan falle ned på brukeren eller fallsikringssystemet. Unngå å arbeide på steder hvor livlinen kan krysse eller floke seg med andre liner. Unngå å arbeide på steder hvor et objekt kan falle og treffe livlinen, da dette kan føre til tap av balansen eller skade på linen. Ikke la linen gå under armene eller mellom bena.
- **Skarpe kanter:** Unngå arbeid hvor livlinen vil være i kontakt med eller skrape mot ubeskyttede skarpe kanter. Hvis det ikke er mulig å unngå kontakt med skarpe kanter, må kanten dekkes til med et beskyttende materiale.

**1 Kapasitet:** Mens CE-SRD-er har en maksimal kapasitet på 140 kg (310 lbs), er SRD-er med 3-veis inntrekking klassifisert for en maksimal løftelast på 135 kg (298 lbs).

## 2.0 BRUK

- 2.1 REDNINGSPLAN:** Når dette utstyret brukes, må arbeidsgiver ha en redningsplan og redningsutstyr tilgjengelig, og informere brukere, autoriserte personer og redningsmannskaper om dette.
- 2.2 INSPEKSJONSINTERVALLER:** SRD-er skal undersøkes av en autorisert person<sup>1</sup> eller redningsperson<sup>2</sup> før hver bruk (se tabell 2). I tillegg skal inspeksjonene utføres av en annen kvalifisert person<sup>3</sup> enn brukeren i intervaller på maksimalt ett år. Ekstreme arbeidsforhold (tøft miljø, langvarig bruk, osv.) kan gjøre det nødvendig med hyppigere inspeksjoner utført av en kvalifisert person. Prosedyrene for inspeksjon beskrives i *inspeksjons- og vedlikeholdsloggen* (tabell 3). Resultatene fra inspeksjoner som er utført av en kvalifisert person må registreres i *inspeksjons- og vedlikeholdsloggen* eller RFID-systemet (se del 5).
- 2.3 NORMAL BRUK:** Ved normal bruk kan livlinen trekkes ut og inn uten hindringer, og den blir ikke slakk når brukeren beveger seg med normal hastighet. Ved et fall, vil et hastighetsfølende bremsesystem aktiveres og stanse fallet, samt absorbere mye av energien som oppstår. Plutselige eller raske bevegelser bør unngås under vanlig arbeid, da dette kan få SRD-en til å låse seg. For fall som skjer mot slutten av livlinebevegelsen, er det bygget inn et reservelinesystem eller en falldemper, for å begrense fallkreftene. Hvis SRD-en er blitt utsatt for fallkrefter må den tas ut av bruk, merkes som «UBRUKELIG», inspiseres og vedlikeholdes som angitt i del 5 og 6.
- 2.4 KROPPSSTØTTE:** Det må brukes en hel kroppssele sammen med den selvinntrekkende enheten. Selens koblingspunkt må være over brukerens tyngdepunkt. Det er ikke tillatt å bruke et kroppselte sammen med den selvinntrekkende enheten. Hvis det skjer et fall ved bruk av et kroppselte, kan dette føre til utilsiktet utløsning og muligens fysisk traume på grunn av feil kroppsstøtte.
- 2.5 KOMPONENTKOMPATIBILITET:** Utstyr fra 3M er kun konstruert for bruk sammen med komponenter og delsystemer som er godkjent av 3M, med mindre annet er angitt. Utskifting eller erstatning med komponenter og delsystemer som ikke er godkjent kan påvirke utstyrets kompatibilitet, som kan gå ut over sikkerheten og påliteligheten til hele systemet. Følg produsentens instruksjoner for komponenter og delsystemer i ditt personlige fallsikringsystem.
- 2.6 KOBLINGSKOMPATIBILITET:** Koblinger anses å være kompatible med koblingselementene når de er konstruert for å virke sammen på en slik måte at størrelse og form ikke får lukkemekanismene til å åpnes utilsiktet, uansett hvordan de posisjoneres. Kontakt 3M hvis du har spørsmål om kompatibilitet.

Koblinger som brukes til å henge opp SRD-en må overholde kravene i EN362. Koblingene må være kompatible med forankringen og andre systemkomponenter. Ikke bruk utstyr som ikke er kompatible. Ikke-kompatible koblinger kan løsne utilsiktet (se figur 4). Koblingene må være kompatible når det gjelder størrelse, form og styrke. Selvlåsende sikkerhetskroker og karabinkroker må brukes. Hvis koblingselementet, som en sikkerhetskrok eller karabinkrok er festet til, er for lite eller har en ujevn form, kan det oppstå en situasjon hvor koblingselementet overfører kraft på krokens feste (A). Denne kraften kan gjøre at festet åpnes (B) og føre til at kroken løsner fra koblingspunktet (C).

- 2.7 KOBLINGER:** Sikkerhets- og karabinkrokene som brukes med dette utstyret, må være selvlåsende. Påse at koblingene er kompatible når det gjelder størrelse, form og styrke. Ikke bruk utstyr som ikke er kompatible. Kontroller at alle koblinger er fullstendig lukket og låst. 3M-koblinger (sikkerhets- og karabinkroker) er kun beregnet på bruk slik det er spesifisert i produktets brukerveiledning. Se figur 5 for eksempler på feilaktige koblinger. Sikkerhets- og karabinkroker må ikke kobles som følger:
- A. Til en D-ring som en annen kobling er festet til.
  - B. På en måte som vil føre til belastning på låsen. Sikkerhetskroker med stor halskrok skal ikke kobles til D-ringer av standard størrelse eller liknende gjenstander, da dette vil resultere i belastning på krokens lås hvis kroken eller D-ringen vrir seg eller roterer, med mindre kroken er utstyrt med en lås som tåler 16 kN (3600 lbs). Kontroller merkingen på sikkerhetskroken for å bekrefte at den er egnet til ditt bruksområde.
  - C. I et falskt feste, hvor elementer som stikker ut fra sikkerhets- eller karabinkroken tar tak i ankeret, og hvor manglende visuell bekreftelse gjør at det virker som om kroken er korrekt festet i forankringspunktet.
  - D. Til hverandre.
  - E. Direkte på bånd, livlinier eller bakforankringer (med mindre produsentens veiledning for både livlinen og koblingen spesifikt tillater dette).
  - F. Til et objekt som er formet eller dimensjonert slik at kroken ikke lukker og låser seg, eller hvor utrulling kan forekomme.
  - G. På en måte som gjør at koblingen ikke er korrekt innrettet under belastning.

**Tabell 2 – Inspeksjonsplan**

Brukstype	Brukseksempler	Bruksvilkår	Inspeksjonsintervaller
			Kvalifisert person
Sjelden til lett	Redning og trange steder, fabrikkvedlikehold	Gode oppbevaringsforhold, innendørs- eller sjelden utendørsbruk, romtemperatur, rene omgivelser	Årlig
Moderat til kraftig	Transport, boligbygging, forsyningstjenester, lager	Greie oppbevaringsforhold, innendørs- og utvidet utendørsbruk, alle temperaturer, rene eller støvete omgivelser	Halvårlig til årlig
Krevende til kontinuerlig	Næringsbygg, olje og gass, gruvarbeid	Tøffe oppbevaringsforhold, langvarig eller kontinuerlig utendørsbruk, alle temperaturer, skitne omgivelser	Kvartalsvis til halvårlig

**1 Autorisert person:** En person som er utnevnt av arbeidsgiver til å utføre oppgaver på stedet hvor personen vil være utsatt for fallrisiko.

**2 Redningsarbeider:** En annen person eller andre personer enn den som reddees som utfører en assistert redningsaksjon ved bruk av et redningssystem.

**3 Kvalifisert person:** En person, utnevnt av arbeidsgiveren, som er ansvarlig for kontroll, implementering og overvåking av den ansattes fallsikringsprogram, og som, via opplæring og kunnskap, er i stand til å påvise, evaluere og håndtere eksisterende og potensielle fallfarer samt har myndighet til å foreta korrigerende tiltak ved påvisning av slike farer.

## 3.0 Installasjon

- 3.1 PLANLEGGING:** Planlegg fallsikringsystemet ditt før du begynner å arbeide. Vurder faktorer som kan påvirke sikkerheten din før, under og etter et fall. Ta hensyn til alle krav og begrensninger som defineres i denne håndboken.
- 3.2 FORANKRING:** Figur 7 illustrerer typiske SRL-forankringer. Forankringsstedet (A) skal være rett over hodet for å minske frifall- og svingfallfarer (se del 2). Velg et solid forankringspunkt som tåler den statiske belastningen som defineres i del 2.2. Sviveløyet på SRL-en er utstyrt med en karabinkrok (B). Fest karabinkroken rett på forankringsstrukturen (armering, vinkeljern, osv.), en festeadapter (C) eller et forankringstilkoblingspunkt (D).
- 3.3 SELETILKOBLING:** Full kroppsssele er påkrevet for bruksområder som krever fallsikring. Koble sikkerhetskroken (A) på SLR-livlinen til bakre dorsal D-ring (B) på helkroppsselen. (Se figur 8). Under situasjoner som klatring i stige kan det være lurt å koble til fremre sternal D-ring. Konsulter seleprodusentens anvisninger for informasjon om bruk av seletilkoblingspunkter.
- 3.4 MONTERING AV TREBENT STATIV:** Figur 9 viser installeringen av Sealed-Blok-selvinntrekkende enhet med håndsveiv for tilbaketrekking på et DBI-SALA-trebent stativ. SRD-R er montert på et av bena på det trebente stativet og livlinen er rutet gjennom et trinsesystem i stativets hode:

**1. Fest hurtigmonteringsbraketten på benet til trefoten:** Monter hurtigmonteringsbraketten rundt det øvre røret på trefoten. Posisjoner hurtigmonteringsbraketten minst 30 centimeter (12 in) over låsebolten på tripod-benet og stram deretter festeboltene til 15 ft-lbs (20 Nm). Ikke overstram boltene.

*Monter aldri hurtigmonteringsbraketten på nedre (teleskop)-rør på trefoten.*

- 2. Fest SRL-monteringsbraketten på hurtigmonteringsbraketten:** Posisjoner hakkene i SRL-monteringsbraketten over stangendene som stikker frem fra hurtigmonteringsbraketten og sving deretter SRL-en mot trefoten inntil hullene i SRL-monteringsbraketten innjusteres med hullene i hurtigmonteringsbraketten. Sett monteringspinnen inn gjennom hullene i SRL-monteringsbraketten og hurtigmonteringsbraketten.
- 3. Legg SRL-livlinen over trefothodemonteringstrinsene:** Fjern de to holderpinnene fra hodemonteringen. Posisjoner SRL-livlinjekabelen i sporene i de to hodemonteringstrinsene. Sett inn holderpinnene gjennom hodemonteringen igjen.

## 4.0 BRUK

*Brukere som bruker selvinntrekkende enheter (SRD-er) for første gang eller en gang i blant skal gjennomgå avsnittet «Sikkerhetsinformasjon» i begynnelsen av denne håndboken før SRD-en brukes.*

- 4.1 FØR HVER BRUK:** Før hver bruk av dette fallsikringsutstyret, må det inspiseres nøye for å sørge for at det er i god stand. Se etter slitte eller ødelagte deler. Påse at alle boltene er tilstede og sikre. Kontroller at livlinen trekker seg inn på riktig måte ved å dra linen ut og la den trekkes sakte inn. Dersom inntrekkingen går sakte, bør enheten merkes som «UBRUKELIG» og returneres til et autorisert servicesenter for service. Kontroller livlinen med tanke på kutt, frynser, brannskader, klemskader og korrosjon. Sjekk låsemekanismen ved å dra hardt i linen. Se avsnitt 5 for opplysninger om inspeksjon. Utstyret må ikke brukes dersom en inspeksjon avdekker en utrygg tilstand.
- 4.2 ETTER ET FALL:** Alt utstyr som er blitt utsatt for kreftene ved å stanse et fall eller som er skadet som følge av fallsikringskreftene som beskrevet i avsnitt 5, må øyeblikkelig tas ut av bruk, merkes som «UBRUKELIG» og inspiseres og vedlikeholdes som anvist i avsnitt 5 og 6.
- 4.3 KROPPSSTØTTE:** En hel kroppsssele må brukes sammen med den selvinntrekkende enheten. For generell fallbeskyttelse skal D-ringen på ryggen brukes som tilkoblingspunkt. Under situasjoner som klatring i stige kan det være lurt å koble til fremre sternal D-ring. Konsulter seleprodusentens anvisninger for informasjon om bruk av seletilkoblingspunkter.
- 4.4 KOBLINGER:** Når det benyttes krok som tilkobling, må du sørge for at utrulling ikke kan finne sted (se figur 5). Ikke bruk kroker eller koplinger som ikke lukker seg helt over festegjenstanden. Ikke bruk sikkerhetskroker som ikke kan låses. Monteringsoverflaten bør møte kravene til forankringsstyrke som er angitt i avsnitt 2.2. Produsentens anvisninger, som følger med hver systemkomponent, må alltid følges.
- 4.5 BRUK:** Inspiser SRD-en som beskrevet i del 5.0. Koble SRD-en til en egnet forankring eller forankringskobling som beskrevet over. Koble den selvlåsende kroken på enden av livlinen til den bakre D-ringen på helkroppsselen (se figur 8). Påse at alle koplingene er kompatible med hensyn til størrelse, form og styrke. Sørg for at kroken er fullstendig lukket og låst. Når den er festet kan brukeren fritt bevege seg på det anbefalte arbeidsområdet med normal fart. Når det arbeides med en SRD, må livlinen alltid få rulle seg kontrollert tilbake inn i enheten. Det kan være nødvendig å trekke ut en del av linen under kobling og frigjøring. Det kan brukes et holdetau for å hindre at livlinen trekkes ukontrollert tilbake inn i SRD-en. Avhengig av arbeidsstedet og forholdene kan det være nødvendig å feste den frie enden av linen for å hindre at den vikler seg inn i utstyr og maskindeler.
- 4.6 RSQ™ VALG AV STANSING AV FALL / NEDSTIGNINGSMODUS:** DBI-SALA RSQ™ Dual-Mode SRL-er er utstyrt med en RSQ-knapp for å velge mellom fallsikrings- og nedstigningsmodus (se figur 10). Hvis RSQ-knappen er stilt til «Fallsikring» vil SRL-en bremse fallet. Hvis RSQ-knappen er stilt til «Nedstigning» vil SRL-en automatisk senke brukeren til et lavere nivå ved et fall. Slik velger du fallsikrings- eller nedstigningsmodus:
1. Trekk ut RSQ™-aktiveringsknappen.
  2. Vri RSQ™-aktiveringsknappen inntil pilen på oversiden av hjulet peker på nedstigningsmodus (A) eller fallsikringsmodus (B) og RSQ-aktiveringsknappen klikker på plass med velgertappen (som vist i figur 10).

**RSQ-nedstigningsmodus:** I nedstigningsmodus vil brukeren automatisk senkes til et lavere nivå når et fall forekommer.

**RSQ-fallsikringsmodus:** I fallsikringsmodus bremser SRL-en fallet og brukeren forblir hengende. Nedstigning aktiveres og kontrolleres med RSQ™-knappens trekking eller med en valgfri forlengerstang (se figur 11):

- **Trekking for aktiveringsknapp:** Figur 11 viser hvordan aktiveringsknappens trekking brukes. For å deaktivere Stansing av fall-modusen og starte nedstigningen, ta tak i trekkingen og trekk velgerhjulet (A) rett ut. For å stoppe nedstigningen frigjøres trekkingen slik at fallsikringen reaktiveres (B). For å aktivere nedstigningsmodusen slik at nedstigningen fortsetter uten å bruke trekkingen, vri aktiveringsknappen mot klokken (C) inntil pilen på hjulets overflate peker mot velgertappen for nedstigning (se figur 10).

*0,36 - 0,45 kN (80 - 100 lbs) trekkraft er nødvendig for å frigjøre RSQ™-velgerhjulet fra modus Stansing av fall.*

- **Forlengerstang (utløserverktøy):** Sett inn forlengerstangen fra en hvilken som helst vinkel slik at gaffelendene omgir RSQ™-aktiveringsknappen under den riflede kanten og trekkringen (se figur 11D). For å koble ut fallsikringen og starte nedstigningen skyves forlengerstangen fremover inntil RSQ™-aktiveringsknappen er helt omgitt av gaffelen. Nedstigningen vil fortsette så lenge gaffelen er plassert mellom RSQ™-aktiveringsknappen og huset. Hvis gaffelen fjernes kan det føre til at enheten reaktiverer fallsikringsmodus.

*Gaffelen på forlengerstangen brukes til å trykke RSQ™-aktiveringsknappen rett ut mens gaffelen dyttes fremover på knappen. Det er ikke nødvendig å presse på hjulet med forlengerstangen. Pressing kan føre til at hjulet bryter av.*

*Sealed-Blok RSQ SRL-er er designet for fallsikring og nedstigning i nødsituasjoner og kan kun brukes til en enkel, vertikal nedstigning. Hvis SRL-en brukes til nedstigning, må den tas ut av drift umiddelbart og sendes til et autorisert servicesenter for reparasjon.*

**4.7 TILBAKETREKKING:** Figur 12 viser bruken av den integrerte nødhåndsveiven på Sealed-Blok-tilbaketrekkende SRL-R. Ikke prøv å bruke tilbaketrekking med livlinen trukket helt tilbake. For å aktivere innhentingsmodus og bruke redningshåndsveiven må du gjøre følgende:

1. Løsne låsetommelskruen for å friggi veivarmen.
2. Roter innhentingshåndtaket opp fra SRL kropp 90°.
3. Dra og hold skiftknappen i ulåst posisjon.
4. Skyv inn veivarmen og slipp skiftknappen for å aktivere. Dersom det er nødvendig, kan veivarmen roteres med klokken for å aktivere giret.
5. Hev og senk livlinen som illustrert i figur 12:
  - A. For å heve: Roter veivarmen med klokka.
  - B. For å senke: Roter sveivearmen mot klokka. Etter fallstans, sveiv først veivarmen med klokka for å friggi fallstoppbremsen, sveiv deretter veivarmen mot klokka.

*Redningshåndsveiv i ett stykke på 3-Way sine SRL-R-modeller for nødredning er kun beregnet for redningsformål, og må ikke benyttes for arbeidsposisjonering eller løfting/senkning av materialer.*

*DBI-SALA SRL-R-er har ikke en overbelastningsclutch som begrenser kraften som utøves på drivverkskomponentene og den festsente personen. Unngå slakk line i tilbakehentingsmodus. I tillegg må personen overvåkes under tilbaketrekking for å sikre at han/hun ikke utsettes for overdreven kraft som følge av løfting etter å ha satt seg fast i en hindring.*

*En minimumsbelastning på 33,9 kg er påkrevd for å senke eller trekke ut livlinen. En kraft på 0,13 kN kreves for å bruke innhentingsystemet når det er lastet til kapasitet.*

*Stopp sveivingen når livlinen er fullt uttrukket eller trukket tilbake. Fortsatt sveiving kan skade komponenter.*

**4.8 TILBAKETREKKINGSFRAKOBLING:** For å deaktivere innhentingsmodus:

*Når innhentingsmodusen er frakoblet, vil enhver uttrukket livline trekkes tilbake inn i SRL. For å unngå mulig skade, trekk livlinen tilbake før deaktivering eller hold fast i den.*

1. Fjern enhver belastning på livlinen.
2. Dra og hold skiftknappen i ulåst posisjon.
3. Dra veivarmen ut for å deaktivere, og friggi deretter skiftknappen.
4. Dra ut og roter tilbaketrekkingshåndtaket ned mot SRL-kropp til lagret posisjon.

## 5.0 Inspeksjon

**5.1 RFID-MERKE:** Den selvinntrekkende enheten inkluderer et radiofrekvensidentifiseringsmerke (RFID) (se figur 13). RFID-merket kan brukes sammen med den håndholdte leseren og den nettbaserte portalen for å forenkle inspeksjon og lagerstyring, samt opprette dokumentasjon for fallsikringsutstyret. Ta kontakt med 3Ms kundeservice for mer informasjon (se omslaget bak). Følg instruksene som fulgte med den håndholdte leseren eller som er oppgitt på nettportalen for å overføre data til nettloggen din.

**5.2 INSPEKSJONSINTERVALLER:** Den selvinntrekkende Sealed-Blok-enheten må inspiseres iht. intervallene som er definert i del 2 (Inspeksjonsintervaller). Prosedyrene for inspeksjon beskrives i *Inspeksjons- og vedlikeholdslogg (tabell 3)*.

*Ekstreme arbeidsforhold (tøffe miljøer, langvarig bruk, osv.), kan gjøre det nødvendig med hyppigere kontroller.*

**5.3 UTRYGGE ELLER DEFEKTE TILSTANDER:** Hvis inspeksjonen avdekker en utrygg eller defekt tilstand, må den selvinntrekkende enheten umiddelbart tas ut av drift, merkes som «UBRUKELIG» og en kvalifisert person må deretter utføre en inspeksjon for å bestemme hvilke vedlikeholdsalternativer som finnes.

*Kun 3M eller parter som er skriftlig autorisert kan foreta reparasjoner utover FAST-Line lineutskiftning på dette utstyret.*

**5.4 PRODUKTETS LEVETID:** Brukstiden for DBI-SALA selvinntrekkende enheter avhenger av bruksforhold og vedlikehold. Så lenge produktet oppfyller inspeksjonskriteriene, kan det brukes.

## 6.0 VEDLIKEHOLD, SERVICE OG OPPBEVARING

**6.1 RENGJØRING:** Rengjøringsprosedyrer for den selvinntrekkende enheten er som følger:


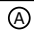
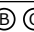
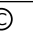
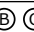
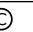
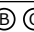
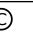
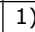
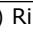
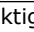

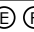

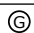
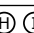
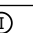
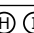
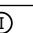
- Rengjør utsiden av SRD-en regelmessig med vann og en mild såpeløsning. Plasser SRD-en slik at vannet kan renne ut. Rengjør etikettene etter behov.
- Rengjør livlinen med vann og en mild såpeløsning. Skyll livlinen og la den tørke fullstendig. Ikke bruk varme for å tørke den. Store opphopninger av smuss, maling, osv., kan hindre livlinen fra å trekkes helt tilbake og kan utgjøre en potensiell fare for fritt fall. Bytt ut livlinen dersom den har slike store opphopninger.

**6.2 SERVICE:** FAST-Line livliner kan skiftes ut på stedet av en kvalifisert person<sup>1</sup>. Se figur 1 for FAST-Line-livlinens nødvendige reservesett. Installer livlinen i henhold til instruksjonene i servicehåndboken (5903076) inkludert reservedelssett til FAST-Line-livlinen. Sørg alltid for at en kvalifisert person utfører en full inspeksjon etter utskiftning av FAST-Line-livlinen. Ekstra service, som den kvalifiserte personen har bestemt er nødvendig etter inspeksjonen, må utføres av et autorisert servicesenter. Ikke demonter SRD-en eller smør noen av delene.

**6.3 OPPBEVARING OG TRANSPORT:** Den selvinntrekkende enheten må oppbevares og transporteres i et kjølig, tørt, rent miljø utenfor direkte sollys. Unngå områder der det kan finnes gasser fra kjemikalier. Inspiser SRD-en nøye etter en lengre oppbevaringsperiode.

## 7.0 Merking

Figur 20 viser etikettene og deres plassering på Sealed-Blok SRD-en. Alle etikettene må være synlige på SRD-en. Etikettene må skiftes ut hvis de ikke er fullt leselige. Informasjonen på hver etikett er som følger:

	Les alle instruksjoner.
	Livlinens lengde (maksimal løfteavstand)
 	1) Riktig fallsikringskobling for SRD-en. 2) Brukstemperaturområde: -40° C til +60° C. 3.1) SRD-en må alltid forankres over hodet. 3.2) SRD-en må aldri forankres under seletilkoblingspunktet på ryggen. 4) Maksimal kapasitet: 140 kg  /135 kg  . 5) Inspiser karabinkroken og støtindikatoren. 6) Inspiser SRD-ens låsemekanisme. Når SRD-en låses skal det høres en lyd. 7) Ikke belast SRD-en over en kant. 8) Inspiser karabinkrokens støtindikator. SRD-en må ikke brukes hvis støt indikeres. 9) Kontroller livlinen mens den spoles inn i SRD-en. 10) Farer ved svingfall. Livlinens vinkel skal være omtrent vertikal. 11.1) Ikke reparer produktet. 11.2) Service og reparasjon skal kun utføres av 3Ms autoriserte personale. 12) Oppbevares på et kjølig, tørt og rent sted som ikke er utsatt for direkte sollys. 13) Skal ikke brukes hvis reservelivlinens bånd ligger åpent. 14) Ikke fjern etikettene. Alle etiketter må være synlige og fullt leselige. 15) Maksimal nedstigningshøyde 16) Koblingspunkt for sekundær forankring for fallende gjenstand 17) Produksjonsår og -måned, partinummer, modellnummer 18) Livlinens lengde (maksimal løfteavstand). 19) Les servicehåndboken for FAST-Line (5903076). 20) Tilbaketrekking:  Løsne låsetommelskruen.  Vri tilbaketrekkingshåndtaket opp.  Dra og hold skiftknappen.  Skyv inn veivarmen og slipp skiftknappen. Ved behov, roter veivarmen litt med klokken for å aktivere giret. Sveiv veivarmen mot klokken for å løfte. Sveiv veivarmen med klokken for å senke.  Slipp skiftknappen for å låse veivarmen.
	Dette produktet er aktivert for radiofrekvensidentifikasjon (RFID). Det har et elektronisk merke som kan leses av ved hjelp av en kompatibel leser og gir informasjon om inspeksjoner og annen sikkerhetsinformasjon.
 	A) Serienummer B) Modellnummer C) Produksjonsdato D) Partinummer E) Servicedatoer
	For å senke: Sveiv veivarmen litt mot klokken for å frigi fallsikringsbremsen og sveiv deretter veivarmen med klokken. For å heve: Sveiv veivarmen mot klokken. Maksimal løftelast: 135 kg
 	Trekk ut RSQ-aktiveringsknappen og vri den inntil pilen peker mot valgt modus:  Nedstigning,  fallsikring

**1 Kvalifisert person:** En person, utnevnt av arbeidsgiveren, som ansvarlig for ledelse, implementering og overvåking av den ansattes fallsikringsprogram, og som, via opplæring og kunnskap, er i stand til å påvise, evaluere og håndtere eksisterende og potensielle fallfarer, og har autorisasjon til å ta rask affære når slike farer påvises.

**Tabell 3 – Inspeksjons- og vedlikeholdslogg**

<b>Serienummer(e):</b>		<b>Kjøpsdato:</b>	
<b>Modellnummer:</b>		<b>Dato for førstegangsbruk:</b>	
<b>Inspisert av:</b>		<b>Inspeksjonsdato:</b>	
<b>Komponent:</b>	<b>Inspeksjon:</b>	<b>Før hver bruk</b>	<b>Kvalifisert person</b>
SRD (figur 14)	Sjekk for løse bolter og bøyd eller ødelagte deler.	<input type="checkbox"/>	<input type="checkbox"/>
	Inspiser enheten (A) for vridning, sprekker eller andre skader.	<input type="checkbox"/>	<input type="checkbox"/>
	Inspiser veivøyet (B) for forvrengning, sprekker eller andre skader. Veivøyet må festes godt til SRL-livlinen, men må kunne svinge fritt.	<input type="checkbox"/>	<input type="checkbox"/>
	Livlinen (C) bør ruller ut og trekkes inn uten nøling eller uten å opprette slakket i linen.	<input type="checkbox"/>	<input type="checkbox"/>
	Sikre at apparatet låser når det blir rykket kraftig i livlinen. Låsingen skal være bestemt uten glidende overgang. MERK: SRL-er med RSQ skal være i fallstansmodus for denne testen (se figur 8).	<input type="checkbox"/>	<input type="checkbox"/>
	Etikettene må være synlige og fullt leselige (se «Merking»).	<input type="checkbox"/>	<input type="checkbox"/>
	Undersøk hele enheten for tegn på korrosjon.	<input type="checkbox"/>	<input type="checkbox"/>
Veivkarabinkrok og støtindikator (figur 15)	Undersøk veivkarabinkroken for tegn på skade, korrosjon samt brukstilstand. Svingfestet skal rotere fritt. Sjekk støtindikatoren. Hvis det røde båndet vises (indikert modus), har støtlast oppstått, og SRL-en må tas ut av bruk og inspiseres. Ikke prøv å tilbake stille støtindikatoren. Returner SRL til et autorisert servicesenter for tilbakestilling. MERK: Veiven dreier ikke fritt når støtindikatoren er i indikert modus.	<input type="checkbox"/>	<input type="checkbox"/>
	<input checked="" type="checkbox"/> <b>FAST-Line betyr HELE LIVET:</b> Hvis det røde båndet på svivelkarabinkrokens støtindikator synes (indikert modus) må du ta kontakt med 3M for å få utført service på et autorisert servicesenter eller skifte ut FAST-Line livlinen iht. instruksjonene i «Servicehåndbok for reservedelssett til FAST-Line livline (5903076)» og la en kvalifisert person utføre en inspeksjon av livlinen.		<input type="checkbox"/>
FAST-Line stålkabellivline (figur 16)	Sjekk ståltauet for kutt, kink, ødelagte ledninger, «fuglbut», sveising, korrosjon, kjemisk kontakt-områder, eller sterkt slitte-områder. Skv opp ståltautødemperen og kontroller ringbeslagene for sprekker eller skader og kontroller ståltauet for korrosjon og brutte tråder. Bytt ut stålvaiermontasjen hvis det er seks eller flere tilfeldig fordelte, skadde vaiere i én slagning, eller tre eller flere skadde vaiere i en tråd i én slagning. En «slagning» i stålvaieren er den lengden med stålvaiere som trengs for en kordel (større gruppe av tråder) for å fullføre en omdreining eller en vridning langs vaieren. Erstatt stålvaiermontasjen om det er noen ødelagte ledninger innenfor 25 mm (1 in) på messingringene.	<input type="checkbox"/>	<input type="checkbox"/>
	<input checked="" type="checkbox"/> <b>FAST-Line betyr HELE LIVET:</b> Hvis inspeksjonen i det forrige trinnet indikerer utskiftning av livlinen må du ta kontakt med 3M for å få utført service av et autorisert servicesenter eller skifte ut FAST-Line livlinen iht. instruksjonene i «Servicehåndbok for reservedelssett til FAST-Line livline (5903076)» og la en kvalifisert person utføre en inspeksjon av livlinen.		<input type="checkbox"/>
Reservelivline (figur 17)	Sjekk utkastet på reservelivlinen. Dersom et fall har blitt stoppet med mesteparten av livlinen ute, kan reservelivlinen ha vært brukt. Dra livlinen ut av SRD-en til den stopper. Hvis knappestoppet (A) trekkes ut og er synlig, er reservelivlinen brukt og livlinen skal byttes ut.	<input type="checkbox"/>	<input type="checkbox"/>
	<input checked="" type="checkbox"/> <b>FAST-Line betyr HELE LIVET:</b> Hvis inspeksjonen i det forrige trinnet indikerer utskiftning av livlinen, må du ta kontakt med 3M for å få utført service av et autorisert servicesenter eller skifte ut FAST-Line livlinen iht. instruksjonene i «Servicehåndbok for reservedelssett til FAST-Line livline (5903076)» og la en kvalifisert person utføre en inspeksjon av livlinen.		<input type="checkbox"/>
RSQ-komponenter (figur 18)	En håndtrekktest skal utføres på RSQ™-komponenter før hver bruk: 1. Sett RSQ-aktiveringsknappen i nedstigningsposisjon (diagram 4). 2. Ta tak i livlinen og trekk godt for å aktivere nedstigningsmekanismen. 3. Fortsett å trekke jevnt ut omtrent 1 m (3 ft) med kabel. Du skal kjenne jevn motstand mens du drar ut kabelen.	<input type="checkbox"/>	<input type="checkbox"/>
Integrert nødhandsveiv for tilbaketrekking (figur 19)	Kontroller at veivarmen (A) ikke er vridd eller har annen skade. Sikre at tilbaketrekkingshåndtaket (B) kan foldes ut og sikres i sveiveposisjonen.	<input type="checkbox"/>	<input type="checkbox"/>
	Sikre at tilbakehentingsskiftknappen (C) kan dras ut til ulåst plassering og deretter slippes, og låse veivarmen i både aktivert og deaktivert posisjon.	<input type="checkbox"/>	<input type="checkbox"/>
	Test tilbaketrekkingsskiftknappen for korrekt drift ved å heve og senke en testvekt på minst 34 kg (75 lbs). Når tilbakehentingshåndtaket slippes, bør vekten ikke flytte seg og tilbakehentingshåndtaket bør holde seg i posisjon (ingen bevegelse). En «klikkende» lyd bør høres når lasten heves.	<input type="checkbox"/>	<input type="checkbox"/>
<b>Korrigerende handling / vedlikehold:</b>		Godkjent av:	
		Dato:	
<b>Korrigerende handling / vedlikehold:</b>		Godkjent av:	
		Dato:	
<b>Korrigerende handling / vedlikehold:</b>		Godkjent av:	
		Dato:	
<b>Korrigerende handling / vedlikehold:</b>		Godkjent av:	
		Dato:	
<b>Korrigerende handling / vedlikehold:</b>		Godkjent av:	
		Dato:	

**Certifique-se de que lê, compreende e segue todas as informações de segurança antes de utilizar este dispositivo autorretrátil (Self-Retracting Device, SRD). O INCUMPRIMENTO DESSAS INSTRUÇÕES PODERÁ RESULTAR EM LESÕES GRAVES OU MORTE.**

**Estas instruções têm de ser fornecidas ao utilizador deste equipamento. Guarde estas instruções para referência futura.**

## Uso previsto:

Este dispositivo autorretrátil deve ser utilizado como parte de um sistema de proteção ant queda pessoal completo.

A sua utilização noutras circunstâncias incluindo, mas de forma não limitativa, atividades de manuseamento de materiais, atividades recreativas ou relacionadas com desporto ou outras atividades não descritas nas Instruções para o utilizador, não é aprovada pela 3M e pode resultar em ferimentos graves ou morte.

Este dispositivo só deve ser utilizado por pessoas que tenham recebido formação no local de trabalho.

## ! AVISO

Este dispositivo autorretrátil faz parte de um sistema de proteção ant queda pessoal. Todos os utilizadores devem receber formação quanto à instalação e manuseamento seguros do seu sistema pessoal de proteção ant queda. **A má utilização deste dispositivo pode resultar em ferimentos graves ou morte.** Para a devida seleção, manuseamento, instalação, manutenção e utilização, consulte estas Instruções para o utilizador, incluindo todas as recomendações do fabricante, consulte o seu supervisor ou contacte os serviços técnicos da 3M.

- **Para minimizar os riscos associados à utilização de um SRD que, caso não sejam evitados, podem resultar em ferimentos graves ou morte:**
  - Antes de cada utilização, inspecione o SRD e verifique se o bloqueio e a retração estão a funcionar devidamente.
  - Se a inspeção revelar uma condição perigosa ou defeito, retire o dispositivo de serviço e repare-o ou substitua-o de acordo com as Instruções para o utilizador.
  - Se o SRD tiver sido sujeito a uma detenção da queda ou força de impacto, retire-o imediatamente de serviço e identifique-o como "INUTILIZÁVEL".
  - Certifique-se de que a linha de vida está desimpedida de quaisquer obstruções, incluindo, mas de forma não limitativa, o enredamento em equipamento ou maquinaria em movimento (por exemplo, sistema top drive das plataformas petrolíferas), outros trabalhadores, em si, objetos circundantes ou o impacto de objetos suspensos que possam cair em cima da linha de vida ou do trabalhador.
  - Nunca dê folga à linha de vida. Não ate nem dê nós na corda de segurança.
  - Prenda a(s) perna(s) não utilizada(s) do SRD montado no arnês ao(s) encaixe(s) do arnês, se instalado(s).
  - Não utilize o dispositivo em situações com um trajeto de queda obstruído. Trabalhar em material instável, como a areia ou grãos, ou em espaços confinados ou apertados, pode não permitir ao trabalhador atingir a velocidade suficiente para originar o bloqueio do SRD. É necessária uma trajetória desimpedida para assegurar o bloqueio positivo do SRD.
  - Evite movimentos repentinos ou rápidos durante uma operação de trabalho normal. Isso pode provocar o bloqueio do dispositivo.
  - Assegure-se de que os sistemas/subsistemas de proteção ant queda, montados com componentes produzidos por diferentes fabricantes, são compatíveis e satisfazem os requisitos das normas aplicáveis, incluindo a ANSI Z359 ou outros códigos, normas ou requisitos de proteção ant queda aplicáveis. Consulte sempre uma Pessoa competente e/ou Qualificada antes de utilizar estes sistemas.
- **Para minimizar os riscos associados à utilização em trabalhos em altura que, caso não sejam evitados, podem resultar em ferimentos graves ou morte:**
  - Certifique-se de que a sua condição física e o seu estado de saúde lhe permitem suportar, com segurança, todas as forças associadas ao trabalho em altura. Consulte um médico caso tenha alguma questão quanto à sua capacidade de utilizar este equipamento.
  - Nunca exceda a capacidade permitida do seu equipamento de proteção ant queda.
  - Nunca exceda a distância de queda livre máxima do seu equipamento de proteção ant queda.
  - Não utilize qualquer equipamento de proteção ant queda que não cumpra os critérios predefinidos ou outras inspeções agendadas ou caso tenha dúvidas quanto à utilização ou adequação do equipamento no seu trabalho. Contacte os serviços técnicos da 3M se tiver dúvidas.
  - Algumas combinações de subsistemas e componentes podem interferir com o funcionamento deste equipamento. Utilize apenas conectores compatíveis. Consulte a 3M quando instalar ou utilizar este equipamento em combinação com componentes ou subsistemas diferentes dos descritos nas Instruções para o utilizador.
  - Tome precauções adicionais ao trabalhar perto de maquinaria em movimento (por exemplo, sistema top drive das plataformas petrolíferas), quanto a perigos elétricos, temperaturas extremas, perigos químicos, gases explosivos ou tóxicos, bermas afiadas ou materiais suspensos que possam cair em cima de si ou do seu equipamento de proteção ant queda.
  - Utilize equipamentos de proteção contra soldadura por arco elétrico ou materiais inflamáveis ao trabalhar em ambientes de temperatura elevada.
  - Evite superfícies ou objetos que possam causar-lhe ferimentos ou danificar o equipamento.
  - Certifique-se de que existe uma altura livre de queda ao trabalhar em alturas.
  - Nunca modifique ou altere o equipamento de proteção ant queda. Apenas a 3M ou terceiros com autorização escrita da 3M podem efetuar reparações neste equipamento.
  - Antes de utilizar equipamento de proteção ant queda, certifique-se de que existe um plano de resgate pronto a ser acionado caso ocorra um incidente de queda.
  - No caso de um incidente de queda, solicite imediatamente ajuda médica para o trabalhador que caiu.
  - Não utilize um cinto de segurança para aplicações de detenção da queda. Utilize apenas um arnês completo de corpo.
  - Minimise as quedas em pêndulo trabalhando o mais possível diretamente abaixo do ponto de ancoragem.
  - Se o dispositivo for utilizado durante uma formação, deve ser utilizado um sistema de proteção ant queda secundário para garantir que o formando não fica exposto a perigo de queda.
  - Utilize sempre equipamento de proteção individual adequado durante a instalação, utilização ou inspeção do dispositivo/sistema.



Antes de utilizar este equipamento, registre os dados de identificação do produto presentes na etiqueta de identificação no "Registro de inspeção e manutenção", no verso deste manual.

## DESCRIÇÃO:


A Figura 2 identifica os componentes chave dos dispositivos autorretráteis Sealed-Blok (SRD) DBI-SALA. Os SRD Sealed-Blok são Linhas de vida em cabo de aço (A) que recolhem para dentro de um invólucro de alumínio selado (B). Podem ficar pendurados a partir da ancoragem por um mosquetão preso através do olhal giratório (C) no topo do SRD. Um mosquetão de bloqueio automático (D) na ponta da linha de vida é preso ao respetivo conector de detenção da queda num arnés de corpo inteiro. Um amortecedor (E) protege o cabo de aço e as virolas, protegendo o mosquetão contra a abrasão e a corrosão.

A Figura 1 define os modelos de SRD Sealed-Blok abrangidos por este manual de instruções. Estão disponíveis os seguintes tipos de SRD:

- **Cabo de segurança autorretrátil (Figura 2A):** Os cabos de segurança autorretráteis (SRL) são adequados para aplicações em que a linha de vida se mantém geralmente na vertical durante a utilização e a possível queda livre se encontra limitada a 2 pés (0,6 m).
- **Cabo de segurança autorretrátil com resgate:** Os cabos de segurança autorretráteis com resgate incluem um meio integrado para resgate assistido através da elevação ou descida do objeto resgatado. Os RSRL estão equipados com uma manivela manual de resgate de emergência de 3 vias (Figura 2B). Os SRL-RSQ estão equipados com um botão de salvamento/descida RSQ (Figura 2C). Alguns modelos de salvamento estão equipados com ambos os componentes de salvamento (Figura 2D). Alguns modelos incluem um suporte de montagem de tripé para montar o SRL na perna de um tripé para aplicações em espaços confinados.

**Tabela 2 – Especificações**

Os proprietários de SRL FAST-Line Sealed Blok com uma data de fabrico posterior a 4 de janeiro de 2015 já não necessitam de enviar os seus SRL Fast-Line de volta à Capital Safety para nova certificação em caso de uma queda ou se o indicador de impacto indicar que o gancho precisa de ser substituído. Basta substituir o cabo e o gancho através de FAST-Line em conformidade com o Manual de Assistência FAST-Line (5903076) e solicitar uma inspeção por uma pessoa competente.

 Fast-Line	Descrição da linha de vida	Gancho
3401403	Cabo em aço galvanizado de 15 m (50 pés) de comprimento e 4,76 mm (3/16 pol.) de diâmetro, com mosquetão giratório de bloqueio automático em aço chapeado e indicador.	2000126
3401714	Cabo em aço inoxidável de 15 m (50 pés) de comprimento e 4,76 mm (3/16 pol.) de diâmetro, com mecanismo de fecho giratório em aço inoxidável e indicador.	2100127
3900105	Cabo em aço galvanizado de 15 m (50 pés) de comprimento e 4,76 mm (3/16 pol.) de diâmetro, com gancho de engate rápido giratório de bloqueio automático em aço chapeado e indicador.	2000180
3900106	Cabo em aço inoxidável de 15 m (50 pés) de comprimento e 4,76 mm (3/16 pol.) de diâmetro, com gancho de engate rápido giratório de bloqueio automático em aço chapeado e indicador.	2000180
3900107	Cabo em aço inoxidável de 15 m (50 pés) de comprimento e 4,76 mm (3/16 pol.) de diâmetro, com gancho de engate rápido giratório de bloqueio automático em aço inoxidável e indicador.	2000181
3900108	Cabo em aço galvanizado de 26 m (85 pés) de comprimento e 4,76 mm (3/16 pol.) de diâmetro, com gancho de engate rápido giratório de bloqueio automático em aço chapeado e indicador.	2000180
3900109	Cabo em aço inoxidável de 26 m (85 pés) de comprimento e 4,76 mm (3/16 pol.) de diâmetro, com gancho de engate rápido giratório de bloqueio automático em aço chapeado e indicador.	2000180
3900111	Cabo em aço inoxidável de 26 m (85 pés) de comprimento e 4,76 mm (3/16 pol.) de diâmetro, com gancho de engate rápido giratório de bloqueio automático em aço inoxidável e indicador.	2000181
3900124	Cabo em aço inoxidável de 26 m (85 pés) de comprimento e 4,76 mm (3/16 pol.) de diâmetro, com mecanismo de fecho giratório em aço inoxidável e indicador.	2100127
3900112	Cabo em aço galvanizado de 40 m (130 pés) de comprimento e 4,76 mm (3/16 pol.) de diâmetro, com gancho de engate rápido giratório de bloqueio automático em aço chapeado e indicador.	2000180
3900113	Cabo em aço inoxidável de 40 m (130 pés) de comprimento e 4,76 mm (3/16 pol.) de diâmetro, com gancho de engate rápido giratório de bloqueio automático em aço chapeado e indicador.	2000180
3900114	Cabo em aço inoxidável de 40 m (130 pés) de comprimento e 4,76 mm (3/16 pol.) de diâmetro, com gancho de engate rápido giratório de bloqueio automático em aço inoxidável e indicador.	2000181
3900168	Cabo em aço galvanizado de 53 m (175 pés) de comprimento e 4,76 mm (3/16 pol.) de diâmetro, com gancho de engate rápido giratório de bloqueio automático em aço chapeado e indicador.	2000180
3900169	Cabo em aço inoxidável de 53 m (175 pés) de comprimento e 4,76 mm (3/16 pol.) de diâmetro, com gancho de engate rápido giratório de bloqueio automático em aço chapeado e indicador.	2000180
3900170	Cabo em aço inoxidável de 53 m (175 pés) de comprimento e 4,76 mm (3/16 pol.) de diâmetro, com gancho de engate rápido giratório de bloqueio automático em aço inoxidável e indicador.	2000181

Gancho	Descrição	Material	Resistência do trinco	Tamanho da abertura
2000126	Mosquetão giratório de bloqueio automático com indicador de impacto	Liga de aço	16 kN (3600 libras)	1,9 m (0,75 pol.)
2000180	Gancho de engate rápido giratório de bloqueio automático com indicador de impacto	Liga de aço	16 kN (3600 libras)	1,9 m (0,75 pol.)
2000181	Gancho de engate rápido giratório de bloqueio automático com indicador de impacto	Aço inoxidável	16 kN (3600 libras)	1,9 m (0,75 pol.)
2100127	Mecanismo de fecho giratório com indicador de impacto	Aço inoxidável	—	2,5 cm (1 pol.) de diâm.

<b>Revestimento:</b>	Revestimento selado em alumínio
<b>Resistência à tração da linha de vida com cabo de arame:</b>	Aço galvanizado - Min. à tração mínima de 18,7 kN (4200 libras) Taxa em aço inoxidável à tração mínima de 16,0 kN (3600 libras)
<b>Força máxima de travagem:</b>	6 kN (1350 libras)
<b>Força de paragem média:</b>	4 kN (900 libras)
<b>Distância de paragem máxima:</b>	1,1 m (42 pol.)
<b>Velocidade média de bloqueio:</b>	1,4 m/s (4,5 pés/s)
<b>Amplitude de velocidade de descida RSQ:</b>	0,6-0,9 m/s (2-3 pés/s)
<b>Distância de queda mínima:</b>	1,8 m (6 pés) a 140 kg (310 libras)

## 1.0 APLICAÇÕES

**1.1 FINALIDADE:** Os dispositivos de segurança autorretráteis (SRD) da 3M foram concebidos para serem componentes num sistema pessoal de proteção anti quedas (PFAS). A Figura 1 ilustra os SRD abrangidos por este manual de instruções e as suas aplicações normais. Podem ser utilizados na maioria das situações em que é necessária a combinação entre a mobilidade do trabalhador e a proteção anti queda (ex.: trabalho de inspeção, construção geral, trabalho de manutenção, produção de petróleo, trabalho em espaços confinados, etc.).

**1.2 NORMAS:** O seu SRD está em conformidade com as normas nacionais ou regionais identificadas na capa destas instruções. Se este produto for revendido fora do país de destino original, o revendedor deve fornecer estas instruções na língua do país no qual o produto será usado.

**1.3 FORMAÇÃO:** Este equipamento destina-se a ser utilizado por pessoas formadas na sua aplicação e utilização corretas. Compete ao utilizador certificar-se de que está familiarizado com estas instruções e de que adquire a formação sobre os cuidados e utilização corretos deste equipamento. Os utilizadores têm de estar conscientes das características de funcionamento, dos limites de aplicação e das consequências da sua utilização incorreta.

**1.4 LIMITAÇÕES:** Tenha sempre em consideração as seguintes limitações e requisitos quando instalar ou utilizar este equipamento:

- **Capacidade:** esta SRD foi testado em termos de conformidade para ser utilizado por uma pessoa com um peso combinado (roupa, ferramentas, etc.) de 59 kg (130 libras) a 140 kg (310 libras).<sup>1</sup> Certifique-se de que todos os componentes do seu sistema possuem a capacidade nominal adequada para a sua aplicação.
- **Ancoragem:** A estrutura de ancoragem para o SRD tem de ter capacidade para suportar cargas até 12 kN (2697 libras). Os dispositivos de ancoragem têm de estar em conformidade com a norma EN795.
- **Velocidade de bloqueio:** Devem ser evitadas as situações que não permitem uma trajetória de queda livre. Trabalhar em espaços confinados ou exíguos pode não permitir que o corpo atinja a velocidade necessária para fazer com que o SRD bloqueie em caso de queda. Trabalhar em material instável, tal como a areia ou grãos, pode não permitir atingir a velocidade necessária para provocar o bloqueio do SRD. É necessária uma trajetória desimpedida para assegurar o bloqueio positivo do SRD.
- **Queda livre:** Quando utilizados corretamente, os SRD irão limitar a distância de queda livre até 61 cm (2 pés). Para evitar elevadas distâncias de queda, não trabalhe acima do nível da ancoragem. **Não aumente o comprimento do SRD fazendo a ligação de um cabo de segurança ou componente semelhante sem consultar a 3M.** Nunca prenda, amarre ou deixe que a corda de segurança recolha ou estique. Evite folga na corda.
- **Pêndulos:** Os pêndulos ocorrem quando o ponto de ancoragem não se encontra diretamente acima do ponto onde ocorre uma queda. A força de embate num objeto num pêndulo pode provocar ferimentos graves (ver a Figura 3A). Minimize as quedas em pêndulo trabalhando o mais possível diretamente abaixo do ponto de ancoragem (Figura 3B). Trabalhar longe do ponto de ancoragem (Figura 3C) irá aumentar o impacto de uma queda em pêndulo e aumentar a distância de queda (FC) necessária.
- **Distância de queda:** A Figura 3B ilustra o cálculo da distância de queda. A distância de queda (FC) é a soma de queda livre (FF), distância de desaceleração (DD) e um fator de segurança (SF):  $FC = FF + DD + SF$ . O deslizamento da argola em D e a elasticidade do arnês estão incluídos no fator de segurança. Os valores de distância de queda foram calculados e são apresentados na Figura 4. Foi usado um fator de segurança de 1 m (3,28 pés) para todos os valores na Figura 4.

As Figuras 3B e 3C ilustram a altura livre de queda. Para quedas a partir de uma posição em pé onde o SRD está ancorado diretamente por cima (Figura 3B), os sistemas de detenção da queda SRD devem ter as alturas livre de queda mínimas especificadas na Tabela 1. As quedas a partir de uma posição ajoelhada ou agachada irão requerer uma altura livre de queda adicional de 1 m (3 pés). Numa situação de pêndulo (Figura 3C), a distância total vertical será superior à que o utilizador experimentaria se tivesse caído diretamente sob o ponto de ancoragem e poderá requerer uma maior altura livre de queda. A Figura 4 e a tabela que a acompanha define o raio de trabalho máximo (C) para diversas alturas de ancoragem (A) e alturas livres de queda (B) de SRD. A zona de trabalho recomendada encontra-se limitada à área localizada dentro do raio de trabalho máximo.

- **Riscos:** A utilização deste equipamento em áreas onde existem riscos envolventes pode exigir precauções adicionais para reduzir a possibilidade de ferimentos ao utilizador ou danos no equipamento. Os riscos podem incluir, mas de forma não limitativa: elevadas temperaturas, produtos químicos cáusticos, ambientes corrosivos, linhas de alta tensão, gases explosivos ou tóxicos, equipamentos móveis ou materiais localizados acima da cabeça que podem cair e embater no utilizador ou no sistema de detenção da queda. Evite trabalhar no local onde a sua corda de segurança se pode cruzar ou emaranhar com a de outro trabalhador. Evite trabalhar no local onde um objeto pode cair e atingir a corda de segurança, provocando a perda de equilíbrio ou danos na mesma. Não permita que a corda de segurança passe por baixo dos braços ou entre as pernas.
- **Arestas aguçadas:** Evite trabalhar no local onde a corda de segurança poderá estar em contacto ou raspar em arestas aguçadas sem proteção. Nos casos em que não é possível evitar o contacto com arestas aguçadas, tape a aresta com material de proteção.

## 2.0 UTILIZAÇÃO

**2.1 PLANO DE RESGATE:** Quando utilizar este equipamento, a entidade patronal tem de ter um plano de salvamento e os meios disponíveis para o implementar, devendo comunicar esse plano aos utilizadores, pessoas autorizadas e equipas de salvamento.

<sup>1</sup> **Capacidade:** Enquanto os SRD CE possuem uma capacidade máxima de 140 kg (310 libras), os SRD com resgate de 3 vias possuem uma capacidade nominal de carga de elevação máxima de 135 kg (298 libras).

- 2.2 FREQUÊNCIA DE INSPEÇÕES:** Os SRD devem ser inspecionados pela pessoa autorizada<sup>1</sup> ou elemento de socorro<sup>2</sup> antes de cada utilização (ver a Tabela 2). Além disso, devem ser efetuadas inspeções, com a periodicidade mínima de um ano, por uma pessoa competente<sup>3</sup> que não seja o utilizador. As condições de trabalho extremas (ambientes rigorosos, utilização prolongada, etc.) podem exigir o aumento da frequência das inspeções por pessoas competentes. Os procedimentos de inspeção estão descritos no "Registo de inspeções e manutenções" (Tabela 3). Os resultados de cada inspeção efetuada por pessoas competentes devem ser registados no "Registo de inspeções e manutenções" ou registados no sistema RFID (consulte a Secção 5).
- 2.3 FUNCIONAMENTOS NORMAIS:** O funcionamento normal irá permitir que a linha de vida estique ou recolha sem hesitações ou folgas à medida que o trabalhador se movimenta a velocidades normais. No caso de ocorrer uma queda, o sistema de freio com deteção de velocidade é ativado, parando a queda e absorvendo muita da energia criada. Devem ser evitados movimentos repentinos ou rápidos durante o funcionamento normal, pois podem provocar o bloqueio do SRD. Para quedas que ocorram próximo da extremidade do curso da linha de vida, foi incorporado um sistema de linha de vida de reserva ou absorvedor de energia para reduzir as forças de detenção da queda. Se o SRD tiver sido sujeito a forças de detenção da queda: retire-o de serviço, marque-o ou etiquete-o como "FORA DE SERVIÇO", inspecione-o e repare-o conforme as instruções das Secções 5 e 6.
- 2.4 APOIO CORPORAL:** Tem de ser utilizado um arnês de corpo inteiro com o dispositivo autorretrátil. O ponto de ligação do arnês tem de estar acima do centro de gravidade do utilizador. Não é autorizada a utilização de um cinto de segurança com o dispositivo autorretrátil. Se ocorrer uma queda aquando da utilização de um cinto de segurança, este pode provocar a libertação involuntária e traumatismo físico devido ao suporte corporal inadequado.
- 2.5 COMPATIBILIDADE DOS COMPONENTES:** Salvo indicação em contrário, o equipamento da 3M destina-se ser usado apenas com componentes e subsistemas aprovados pela 3M. As substituições efetuadas com componentes ou subsistemas não aprovados podem comprometer a compatibilidade do equipamento e podem afetar a segurança e fiabilidade de todo o sistema. Leia e siga as instruções do fabricante para componentes e subsistemas associados ao seu sistema de detenção da queda individual.
- 2.6 COMPATIBILIDADE DOS CONECTORES:** Os conectores são considerados compatíveis com elementos de ligação quando são concebidos para trabalhar em conjunto de modo a que os seus tamanhos e formas não provoquem a abertura involuntária dos seus mecanismos de fecho, independentemente da forma como ficam orientados. Contacte a 3M se tiver dúvidas em relação à compatibilidade.

Os conectores utilizados para suspender o SRD têm de estar em conformidade com a norma EN362. Os conectores têm de ser compatíveis com a ancoragem ou com outros componentes do sistema. Não utilize equipamento que não seja compatível. Os conectores incompatíveis podem desprender-se involuntariamente (consulte a Figura 4). Os conectores têm de ser compatíveis em tamanho, forma e resistência. São necessários ganchos de engate rápido e mosquetões. Se o elemento de ligação ao qual se fixa o gancho de engate rápido ou mosquetão for demasiado pequeno ou tiver uma forma irregular, pode ocorrer uma situação no local onde o elemento de ligação aplica uma força à lingueta do gancho de engate rápido ou mosquetão (A). Esta força pode provocar a abertura da lingueta (B), permitindo que o gancho de engate rápido ou mosquetão se solte do ponto de ligação (C).

- 2.7 EFETUAR LIGAÇÕES:** Os ganchos de engate rápido e mosquetões utilizados com este equipamento têm de ser de bloqueio automático. Certifique-se de que todas as ligações são compatíveis em tamanho, forma e resistência. Não utilize equipamento que não seja compatível. Certifique-se de que todos os conectores estão totalmente fechados e bloqueados. Os conectores 3M (ganchos de engate rápido e mosquetões) foram concebidos para serem utilizados apenas como indicado no manual de instruções de cada produto. Consulte a Figura 5 para visualizar exemplos de ligações incorretas. Não ligue ganchos de engate rápido e mosquetões:
- A um D-Ring onde esteja preso outro conector.
  - De forma a que resulte uma carga sobre a lingueta. Os mosquetões de abertura larga não devem ser ligados a D-rings de tamanho normal ou a objetos idênticos, pois esta situação irá resultar numa carga sobre a lingueta caso o mosquetão ou o D-ring gire ou rode, a não ser que o mosquetão esteja equipado com um trinco para 16 kN (3600 libras). Veja as marcações do seu mosquetão para verificar se é adequado para a sua aplicação.
  - Num encaixe incorreto, no qual os elementos salientes do gancho de engate rápido ou do mosquetão fiquem presos na ancoragem e que, sem confirmação visual, pareçam estar totalmente encaixados no ponto de ancoragem.
  - Entre si.
  - Diretamente em tecido ou cabo de segurança ou fixação (a menos que as instruções do fabricante tanto para o cabo de segurança como para o conector permitam especificamente uma ligação desse tipo).
  - A um objeto que tenha uma forma ou dimensão que não permita que os ganchos de engate rápido ou mosquetões fechem e tranquem ou que possa ocorrer deslizamento.
  - De forma a não permitir que o conector fique corretamente alinhado enquanto estiver sujeito a carga.

**Tabela 2 – Calendário de inspeção**

Tipo de utilização	Exemplos de aplicação	Condições de utilização	Frequência de inspeções
			Pessoa competente
Não frequente a leve	Salvamento e espaço confinado, manutenção de fábrica	Boas condições de armazenamento, utilização em espaços fechados ou utilização não frequente em espaços abertos, temperatura ambiente, ambientes limpos	Anualmente
Moderado a pesado	Transportes, construção de casas, serviços públicos, armazém	Condições razoáveis de armazenamento, utilização em espaços fechados e utilização prolongada em espaços abertos, todas as temperaturas, ambientes limpos ou poeirentos	Semestral ou anualmente
Severo a contínuo	Construção comercial, indústria petrolífera, exploração mineira	Fracas condições de armazenamento, utilização prolongada ou contínua em espaços abertos, todas as temperaturas, ambientes sujos	Trimestral ou semestralmente

- 1 Pessoa autorizada:** Pessoa designada pela entidade empregadora para realizar trabalhos numa localização em que a pessoa estará exposta a perigo de queda.
- 2 Elemento de salvamento:** Pessoa ou pessoas (sem ser a pessoa a ser socorrida) que procedem a uma ação de salvamento assistido, mediante a utilização de um sistema de salvamento.
- 3 Pessoa competente:** Uma pessoa designada pelo empregador para ser o responsável pela supervisão imediata, implementação e monitorização do programa de proteção antiqueda gerido pelo empregador que, através de formação e conhecimentos, é capaz de identificar, avaliar e solucionar perigos de queda existentes e potenciais e que tem a autoridade do empregador para tomar medidas de correção imediatas relativamente a esses perigos.

### 3.0 Instalação

- 3.1 PLANEAMENTO:** Planeie o seu sistema de proteção antiqueda antes de iniciar o trabalho. Tenha em consideração todos os fatores que possam afetar a sua segurança antes, durante e após uma queda. Tenha em consideração todos os requisitos e limitações definidos neste manual.
- 3.2 ANCORAGEM:** A figura 7 ilustra as ligações normais de ancoragem da SRL. A ancoragem (A) deve ser diretamente superior para evitar riscos de queda livre e de queda em oscilação (ver Secção 2). Selecione um ponto de ancoragem rígido capaz de sustentar as cargas estáticas definidas na Secção 2.2. O olhal giratório no SRL está equipado com um mosquetão (B). Prender o mosquetão diretamente à estrutura de ancoragem (barra reforçada, cantoneira, etc.), um adaptador para amarração (C), ou ponto de ligação para ancoragem (D).
- 3.3 LIGAÇÃO DO ARNÊS:** É necessário um arnês de corpo inteiro para aplicações antiqueda. Prenda o mosquetão (A) da linha de vida à argola em D dorsal traseira (B) do arnês de corpo inteiro. (Consulte a Figura 8). Para situações tais como subida de escadas, pode ser útil prender à argola em D esternal dianteira. Consulte as instruções do fabricante do arnês para obter informações relativas à utilização dos pontos de conexão do arnês.
- 3.4 MONTAGEM DE TRIPÉS:** A Figura 9 ilustra a instalação do dispositivo de tração autorretrátil Sealed-Blok com manivela manual de resgate num tripé DBI-SALA. O SRD-R está montado numa perna do tripé e a linha de vida é passada por um sistema de roldana na cabeça do tripé:

**1. Prenda o suporte de montagem rápida à perna do tripé:** Monte o suporte de montagem rápida à volta do tubo superior da perna do tripé. Coloque o suporte de montagem rápida, pelo menos, 30 cm acima do pino de bloqueio na perna do tripé e, seguidamente, aperte os parafusos de montagem a 20 Nm. Não aperte excessivamente os parafusos.

*Nunca monte o suporte de montagem rápida no tubo inferior (telescópico) da perna do tripé.*

- 2. Prenda o suporte de montagem do SRL no suporte de montagem rápida:** Posicione os entalhes do suporte de montagem do SRL sobre as extremidades da haste que sobressaem do suporte de montagem rápida e, em seguida, rode o SRL na direção da perna do tripé até que os orifícios do suporte de montagem do SRL fiquem alinhados com os orifícios do suporte de montagem rápida. Insira o pino de montagem através dos orifícios do suporte de montagem do SRL e do suporte de montagem rápida.
- 3. Passe a linha de vida do SRL sobre as roldanas do suporte da cabeça do tripé:** Remova os dois pinos de retenção da montagem da cabeça. Posicione o cabo da linha de vida do SRL nas ranhuras das duas roldanas de montagem da cabeça. Volte a inserir os pinos de retenção através da montagem da cabeça.

### 4.0 FUNCIONAMENTO

*As pessoas que utilizam pela primeira vez ou com pouca frequência devem rever as "Informações de Segurança" no início deste manual antes de utilizarem o dispositivo autorretrátil (SRD).*

- 4.1 ANTES DE CADA UTILIZAÇÃO:** Antes de cada utilização deste equipamento de proteção antiqueda, inspecione-o cuidadosamente para se certificar de que se encontra nas devidas condições de trabalho. Verifique se existem peças desgastadas ou danificadas. Certifique-se da presença e segurança de todos os parafusos. Verifique se a corda de segurança está a recolher corretamente puxando-a para fora e deixando que recolha lentamente. Se se verificar qualquer hesitação durante a retração, a unidade deve ser assinalada como "INUTILIZÁVEL" e deve ser devolvida a um centro de assistência autorizado para fins de assistência. Inspeção a corda de segurança quanto a cortes, fios partidos, queimaduras, esmagamentos e corrosão. Verifique a ação de bloqueio, puxando bruscamente a corda. Consulte a secção 5 para obter mais informações sobre a inspeção. Não a utilize se a inspeção revelar um estado que não ofereça segurança.
- 4.2 APÓS UMA QUEDA:** qualquer equipamento que tenha sido sujeito a forças de detenção de uma queda ou apresentar danos consistentes com o efeito de forças de detenção de queda, conforme descrito na Secção 5, deve ser retirado de imediato de serviço, marcado como "INUTILIZÁVEL" e inspecionado e reparado conforme indicado nas secções 5 e 6.
- 4.3 SUPORTE CORPORAL:** Tem de ser utilizado um arnês de corpo inteiro ao utilizar o dispositivo autorretrátil. Para utilizações de proteção geral contra quedas, prenda à argola em D (dorsal) traseira. Para situações tais como subida de escadas, pode ser útil prender à argola em D esternal dianteira. Consulte as instruções do fabricante do arnês para obter informações relativas à utilização dos pontos de conexão do arnês.
- 4.4 FAZER LIGAÇÕES:** Ao utilizar um gancho para estabelecer uma ligação, certifique-se de que não existe a possibilidade de deslize (consulte a Figura 5). Não utilize ganchos ou conetores que não fechem completamente sobre o objeto de fixação. Não utilize ganchos de engate rápido que não sejam de bloqueio automático. A superfície de montagem deve cumprir os requisitos de resistência de ancoragem indicados na secção 2.2. Siga as instruções do fabricante fornecidas com cada componente de sistema.
- 4.5 FUNCIONAMENTO:** Inspeção o SRD conforme descrito na Secção 5.0. Ligue o SRD a uma ancoragem ou a um conector de ancoragem apropriado, conforme descrito anteriormente. Ligue o mosquetão de auto-bloqueio da extremidade da linha de vida à argola em D dorsal do arnês de corpo inteiro (ver a Figura 8). Certifique-se de que todas as ligações são compatíveis em tamanho, forma e resistência. Certifique-se de que o mosquetão está totalmente fechado e bloqueado. Logo que se encontre ancorado, o trabalhador é livre de se movimentar dentro da área de trabalho recomendada e à velocidade normal. Quando trabalhar com um SRD, permita sempre que a corda de segurança recolha para dentro do dispositivo sob controlo. Pode ser necessário um cabo de apoio para esticar ou recolher a linha de vida durante as operações de conexão ou desconexão. Um cabo de apoio pode ser utilizado para impedir a retração descontrolada da linha de vida para dentro do SRD. Consoante o ambiente e as condições do local de trabalho, pode ser necessário prender a extremidade livre do cabo de apoio para impedir interferências e que fique enredado no equipamento ou maquinaria.
- 4.6 SELEÇÃO DO MODO DE DETENÇÃO DA QUEDA/DESCIDA RSQ™ OS SRL DE DESCIDA CONTROLADA DBI-SALA RSQ™ ESTÃO EQUIPADOS COM UM BOTÃO RSQ PARA SELECIONAR ENTRE OS MODOS DE FUNCIONAMENTO DE DETENÇÃO DA QUEDA OU DESCIDA DO SRL (FIGURA 10). SE O BOTÃO DE SELEÇÃO RSQ ESTIVER DEFINIDO PARA "DETENÇÃO DA QUEDA", O SRL IRÁ DETER A QUEDA. SE O BOTÃO DE SELEÇÃO RSQ ESTIVER DEFINIDO PARA "DESCIDA", O SRL IRÁ DESCER AUTOMATICAMENTE O UTILIZADOR PARA UM NÍVEL INFERIOR QUANDO OCORRER UMA QUEDA. PARA SELECIONAR O MODO DE DETENÇÃO DA QUEDA OU DESCIDA:**
1. Puxe o botão de engate RSQ™ para fora.
  2. Rode o botão de engate RSQ™ até a seta que se encontra no botão apontar para o Modo de descida (A) ou para o Modo de Detenção da queda (B) e o botão de engate RSQ™ se encaixar na ranhura para seleção (conforme ilustrado na Figura 10).

**Modo de Descida RSQ:** No modo de Descida, o utilizador é descido automaticamente para um nível inferior quando ocorrer uma queda.

**Modo de Detenção da queda RSQ:** No modo de Detenção da queda, o SRD detém a queda e o utilizador é mantido suspenso. A Descida

é ativada e controlada com a anilha do botão de engate RSQ™ ou com uma ferramenta opcional de desbloqueio de vara de extensão (ver a Figura 11):

- **Anilha do botão de engate:** A Figura 11 ilustra o funcionamento da anilha do botão de engate. Para desengatar o modo de Detenção da queda e iniciar a descida, segure a anilha e puxe o botão de engate para fora (A). Para parar a descida, solte a anilha para voltar a engatar o modo de Detenção da queda (B). Para engatar completamente o modo de Descida para que esta prossiga sem se ter de puxar a anilha, rode o botão de engate no sentido contrário ao dos ponteiros do relógio (C) até que a seta que se encontra no botão aponte para a ranhura da seleção de descida (ver a Figura 10).

*É necessário um esforço de tração entre 80 lbs - 100 lbs (0,36 kN - 0,45 kN) para soltar o botão de engate RSQ™ do modo de proteção antiqueda.*

- **Ferramenta de desbloqueio de vara de extensão:** Insira a ferramenta de desbloqueio de vara de extensão a partir de qualquer direção, de modo a que as extremidades das forquilhas de desbloqueio rodeiem a base do botão de engate RSQ™ por baixo da saliência estriada e da anilha (ver figura 11D). Para desengatar o modo de proteção antiqueda e iniciar a descida, empurre a vara de extensão para a frente até o botão de engate RSQ™ se encontrar completamente alojado nas forquilhas de desbloqueio. A descida será prosseguida desde que as forquilhas de desbloqueio estejam completamente alojadas entre o botão de engate RSQ™ e o invólucro. A remoção das forquilhas de desbloqueio pode fazer com que a unidade volte a engatar o modo de proteção anti-queda.

*As forquilhas de desbloqueio na ferramenta de desbloqueio de vara de extensão são cônicas para empurrar o botão de engate RSQ™ para fora à medida que as forquilhas são empurradas para a frente no botão. Não é necessário forçar o botão com a vara de extensão. Se forçar pode partir o botão.*

*Os SRL Ultra-Lok RSQ foram concebidas para utilização em detenções de queda e descidas de emergência e podem apenas ser utilizadas para uma descida vertical única. Se o SRL for utilizado para descer, retire-o imediatamente de serviço e envie-o para um Serviço técnico autorizado a fim de ser reparado.*

**4.7 OPERAÇÃO DE RESGATE:** A Figura 12 ilustra a operação da manivela manual de resgate integrada no SRL-R de resgate Sealed-Blok. Não tente operar o resgate com a linha de vida totalmente retraída. Para ativar o modo de Resgate e utilizar a manivela manual de resgate:

1. Afrouxe o parafuso de bloqueio para libertar o braço da manivela.
2. Rode a pega de resgate 90° para cima relativamente ao corpo do SRL.
3. Puxe e mantenha o Botão da Alavanca na posição desbloqueada.
4. Empurre o braço da manivela para dentro e liberte a alavanca para encaixar. Se necessário, rode o braço da manivela no sentido dos ponteiros do relógio para facilitar o encaixe da engrenagem.
5. Suba e baixe a linha de vida conforme ilustrado na Figura 12:
  - A. Para elevar: Rode o braço da manivela no sentido dos ponteiros do relógio.
  - B. Para descer: Rode o braço da manivela no sentido contrário ao dos ponteiros do relógio. Após uma Detenção da queda: rode ligeiramente o braço da manivela no sentido dos ponteiros do relógio para soltar o travão de detenção da queda e, em seguida, rode-o no sentido contrário aos ponteiros do relógio.

*A manivela manual de resgate integrada nos Modelos de SRL-R de resgate de emergência de 3 vias destina-se apenas a ser utilizado para resgate e não deve ser utilizada para posicionamento no trabalho ou elevação/ descida de material.*

*Os SRL-R DBI-SALA não incorporam um engate de sobrecarga que limite a força aplicada aos componentes da unidade e à pessoa elevada. Deve evitar-se a folga na linha quando em modo de resgate. Além disso, controle o indivíduo durante o resgate para garantir que não é sujeito a força excessiva devido à elevação continuada após ficar preso numa obstrução.*

*É necessária uma carga mínima de 75 libras (33,9 kg) para baixar ou para soltar a linha de vida. É necessária uma força de 30 libras (0,13 kN) para fazer funcionar o sistema de resgate quando estiver a suportar a capacidade máxima.*

*Pare de rodar quando a linha de vida estiver totalmente esticada ou recolhida. Continuar a girar poderá danificar os componentes.*

**4.8 DESATIVAÇÃO DO RESGATE:** Para desativar o modo de resgate:

*Quando o modo de resgate estiver desativado, qualquer linha de vida estendida será recolhida para dentro do SRL. Para evitar possíveis ferimentos, recolha a linha de vida antes de desativar ou segure a linha de vida.*

1. Retire a carga da linha de vida.
2. Puxe e mantenha o Botão da Alavanca na posição desbloqueada.
3. Puxe o Braço da Manivela para a posição de desencaixe e, em seguida, liberte o Botão da Alavanca.
4. Puxe a pega de resgate e rode-a para baixo para a posição de arrumação do corpo do SRL.

## 5.0 Inspeção

**5.1 ETIQUETA RFID:** O dispositivo autorretrátil inclui uma etiqueta de identificação de radiofrequência (RFID) (consulte a Figura 13). A etiqueta de RFID pode ser utilizada conjuntamente com o dispositivo de leitura portátil e o portal da Internet para simplificar a inspeção e controlo do inventário, bem como fornecer registos para o seu equipamento de proteção antiqueda. Para mais pormenores, contacte um representante de apoio ao cliente da 3M (consulte a contracapa). Siga as instruções incluídas no leitor portátil ou indicadas no portal da Internet sobre como transferir os dados para o registo na Internet.

**5.2 FREQUÊNCIA DE INSPEÇÃO:** O dispositivo de tração retrátil Sealed-Blok tem de ser inspecionado nos intervalos definidos na Secção 2.2 - Frequência de inspeção. Os procedimentos de inspeção são descritos em "Registo de inspeção e manutenção" (Tabela 3).

Condições de trabalho extremas (ambientes difíceis, utilização prolongada, etc.) podem exigir um aumento da frequência das inspeções.

**5.3 CONDIÇÕES PERIGOSAS OU DEFEITUOSAS:** Se a inspeção revelar uma condição defeituosa insegura, remova o SRD imediatamente de funcionamento, marque-o como "FORA DE SERVIÇO" e solicite uma inspeção por uma pessoa competente para determinar as opções de serviço.

Apenas a 3M ou terceiros com autorização por escrito poderão efetuar reparações, exceto a substituição da linha de vida FAST-Line, neste equipamento.

**5.4 VIDA ÚTIL DO PRODUTO:** A vida funcional dos dispositivos autorretráteis DBI-SALA é determinada pelas condições de trabalho e manutenção. Enquanto o produto passar os critérios de inspeção, poderá continuar a ser utilizado.

## 6.0 MANUTENÇÃO, ASSISTÊNCIA E ARMAZENAMENTO

**6.1 LIMPEZA:** Os procedimentos de limpeza para o SRD são os seguintes:


- Limpe periodicamente o exterior do SRD com uma solução de sabão suave e água. Posicione o SRD de tal forma que o excesso de água possa ser drenado. Limpe as etiquetas, conforme necessário.
- Limpe a linha de vida com uma solução de sabão suave e água. Passe por água e deixe secar completamente ao ar. Não aplique calor para acelerar a secagem. Uma acumulação excessiva de sujeira, tinta, etc. poderá impedir a retração total da corda de segurança no invólucro, causando um risco potencial de queda livre. Proceda à substituição do cabo de segurança caso verifique a presença de uma acumulação excessiva.

**6.2 REPARAÇÃO:** As linhas de vida FAST-Line podem ser substituídas no terreno por uma pessoa competente<sup>1</sup>. Veja a Figura 1 para conhecer o kit de substituição de linha de vida FAST-Line necessário. Instale a linha de vida conforme as instruções do Manual de Serviço (5903076) incluído com o kit FAST-Line. Solicite sempre uma inspeção completa por uma pessoa competente após a substituição da linha de vida FAST-Line. A assistência adicional, determinada a partir da inspeção pela pessoa competente, tem de ser feita por um serviço técnico autorizado. Não tente desmontar o SRD ou lubrificar quaisquer peças.

**6.3 ARMAZENAMENTO E TRANSPORTE:** Transporte e armazene o SRD num ambiente seco, fresco e limpo, longe da incidência direta da luz solar. Evite áreas onde possam existir vapores químicos. Inspeccione minuciosamente o SRD após qualquer armazenamento prolongado.

## 7.0 Etiquetas

A figura 20 ilustra as etiquetas nos SRD Sealed-Blok e as suas localizações. Todas as etiquetas têm que estar presentes no SRD. As etiquetas devem ser substituídas se não forem completamente legíveis. As informações fornecidas em cada etiqueta são as seguintes:

	Ler todas as instruções.
<b>(A)</b>	Comprimento da linha de vida (distância máxima de elevação)
<b>(B) (C)</b>	1) Ligação de detenção da queda correta para SRD. 2) Intervalo de temperaturas de utilização: -40 °C a +60 °C. 3.1) Ancore sempre o SRD na posição superior. 3.2) Nunca ancore o SRD abaixo do ponto de ligação do arnês dorsal traseiro. 4) Capacidade máxima: 140 kg <sup>(B)</sup> /135 kg <sup>(C)</sup> . 5) Inspeccione o mosquetão e o indicador de impacto. 6) Inspeccione a ação de travagem do SRD. Deve ouvir-se um som audível quando o SRD fica encaixado. 7) Não sujeite o SRD a carga sobre uma extremidade. 8) Inspeccionar o indicador de impacto do mosquetão. Não utilizar o SRD se tiver sido indicado um impacto. 9) Controle a linha de vida quando estiver a ser recolhida para dentro do SRD. 10) Risco de queda por balanço. O ângulo da linha de vida deve ser quase vertical. 11.1) Não efetuar reparações. 11.2) A assistência e a reparação só devem ser realizadas por pessoal autorizado pela 3M. 12) Guarde num ambiente fresco, seco e limpo, afastado da luz solar direta. 13) Não utilize se a banda da linha de vida de reserva estiver exposta. 14) Não retire etiquetas. As etiquetas devem estar presentes e completamente legíveis. 15) Altura máxima de descida 16) Ponto de ligação para para ancoragem secundária de objeto caído 17) Ano e mês de fabrico, Número de lote, Número de modelo 18) Comprimento da linha de vida (distância máxima de elevação). 19) Leia o manual de assistência FAST-Line (5903076). 20) Operação de resgate: <b>(A)</b> Afrouxe o parafuso de fixação. <b>(B)</b> Rode a pega de resgate para cima. <b>(C)</b> Puxe e segure alavanca. <b>(D)</b> Empurre a manivela para dentro e solte a alavanca. Se necessário, rode ligeiramente o braço da manivela no sentido dos ponteiros do relógio para encaixar a engrenagem. Rode o braço da manivela no sentido contrário ao dos ponteiros do relógio para elevar. Rode o braço da manivela no sentido dos ponteiros do relógio para descer. <b>(E)</b> Solte a alavanca para bloquear o braço da manivela.
<b>(D)</b>	O produto contém a funcionalidade Identificação de Radiofrequência (RFID) bem como uma etiqueta eletrónica que pode ser lida por leitores compatíveis, apresentando historial de inspeções, gestão do inventário e outras informações de segurança.
<b>(E) (F)</b>	A) Número de série B) Número de modelo C) Data de fabrico D) Número de lote E) Datas de assistência
<b>(G)</b>	Para descer: Rode o braço da manivela no sentido contrário ao dos ponteiros do relógio para soltar o travão de detenção da queda e, em seguida, rode-o no sentido dos ponteiros do relógio. Para elevar: Rode o braço da manivela no sentido contrário ao dos ponteiros do relógio. Carga máxima de elevação: 135 kg
<b>(H) (I)</b>	Puxe a alavanca RSQ para fora e rode até a seta apontar para o modo selecionado: <b>(D)</b> Descida, <b>(E)</b> Detenção da queda

**1 Pessoa competente:** Uma pessoa designada pelo empregador para ser o responsável pela supervisão imediata, implementação e monitorização do programa de proteção antiqueda gerido pelo empregador que, através de formação e conhecimentos, é capaz de identificar, avaliar e solucionar perigos de queda existentes e potenciais e que tem a autoridade do empregador para tomar medidas de correção imediatas relativamente a esses perigos.

**Tabela 3 – Registo de inspeção e manutenção**

Número(s) de série:		Data de aquisição:	
Número do modelo:		Data da primeira utilização:	
Inspeccionado por:		Data da inspeção:	
Componente:	Inspeção:	Antes de cada utilização	Pessoa competente
SRD (Figura 14)	Tome atenção a parafusos e porcas soltas ou peças dobradas ou danificadas.	<input type="checkbox"/>	<input type="checkbox"/>
	Verifique se existem distorções, fendas ou outros danos no invólucro (A).	<input type="checkbox"/>	<input type="checkbox"/>
	Verifique se existem distorções, fendas ou outros danos no olhal giratório (B). O olhal giratório deve ser fixo corretamente ao SRL, mas deve girar livremente.	<input type="checkbox"/>	<input type="checkbox"/>
	A linha de vida (C) deverá poder esticar e encolher totalmente sem hesitações nem criar condições de folga.	<input type="checkbox"/>	<input type="checkbox"/>
	Certifique-se de que o dispositivo trava quando o cabo de segurança é puxado bruscamente. A travagem deve ser positiva e sem deslizes. NOTA: Os SRL com RSQ devem estar no modo de detenção da queda para este teste (ver a Figura 8)	<input type="checkbox"/>	<input type="checkbox"/>
	Devem existir etiquetas e as mesmas devem estar completamente legíveis (ver "Etiquetagem").	<input type="checkbox"/>	<input type="checkbox"/>
	Procure sinais de corrosão em toda a unidade.	<input type="checkbox"/>	<input type="checkbox"/>
Mosquetão giratório e indicador de impacto (Figura 15)	Inspeção o mosquetão giratório em termos de danos, corrosão e estado de funcionamento. A cabeça giratória deve poder rodar livremente. Inspeção o indicador de impacto. Se uma banda vermelha (A) estiver visível (modo indicado), ocorreu uma carga de impacto e o SRL tem de ser retirado de serviço e inspeccionado. Não tente reiniciar o indicador de impacto. Devolva o SRL a um serviço técnico autorizado para proceder à reposição das configurações. NOTA: A cabeça giratória não girará livremente quando o indicador de impacto estiver no modo indicado.	<input type="checkbox"/>	<input type="checkbox"/>
	<input checked="" type="checkbox"/> <b>FAST-Line significa VITALÍCIO:</b> Se a banda vermelha do indicador de impacto do mosquetão giratório for apresentada (modo indicado); contacte a 3M relativamente a assistência por Serviço Técnico Autorizado ou substitua a linha de vida FAST-Line conforme as instruções do "Manual de assistência do kit de substituição da linha de vida FAST-Line (5903076)" e solicite uma inspeção por uma pessoa competente.		<input type="checkbox"/>
Linha de vida com cabo de arame FAST-Line (Figura 16)	Inspeção o cabo metálico procurando cortes, dobras, arames partidos e desfiados, corrosão, resíduos de soldagem, áreas com contacto químico ou gravemente deterioradas. Deslize o amortecedor de cabo para cima e inspeccione procurando fendas ou danos nas virolas, sinais de corrosão e arames partidos no cabo de aço. Substitua a estrutura da corda de arame se apresentar seis ou mais arames partidos aleatoriamente distribuídos numa camada, ou três ou mais arames partidos na mesma faixa de uma camada. Uma "camada" de cabo de aço é o comprimento de cabo necessário a uma faixa (o grupo alargado de arames) para completar uma volta ou revolução ao longo do cabo. Substitua a estrutura do cabo metálico se apresentar arames partidos em menos de 25 mm (1 polegada) das virolas.	<input type="checkbox"/>	<input type="checkbox"/>
	<input checked="" type="checkbox"/> <b>FAST-Line significa VITALÍCIO:</b> Se a inspeção do passo anterior indicar a substituição da linha de vida, contacte a 3M relativamente a assistência por um Serviço Técnico Autorizado ou substitua a linha de vida FAST-Line conforme as instruções do "Manual de assistência do kit de substituição da linha de vida FAST-Line (5903076)" e solicite uma inspeção por uma pessoa competente.		<input type="checkbox"/>
Linha de vida de segurança (Figura 17)	Inspeção a extensão de saída da corda de segurança de reserva. Em caso de travagem de queda em que a corda de segurança já se encontrasse exposta em quase toda a sua extensão, é possível que tenha sido utilizada a corda de segurança de reserva. Puxe a corda de segurança do SRD até este parar. Se o botão de paragem (A) saltar para fora e ficar visível, a corda de segurança de reserva está gasta e a corda de segurança deve ser substituída.	<input type="checkbox"/>	<input type="checkbox"/>
	<input checked="" type="checkbox"/> <b>FAST-Line significa VITALÍCIO:</b> Se a inspeção do passo anterior indicar a substituição da linha de vida, contacte a 3M relativamente a assistência por um Serviço Técnico Autorizado ou substitua a linha de vida FAST-Line conforme as instruções do "Manual de assistência do kit de substituição da linha de vida FAST-Line (5903076)" e solicite uma inspeção por uma pessoa competente.		<input type="checkbox"/>
Componentes RSQ (Figura 18)	Deve ser realizado um teste de tração manual em componentes RSQ™ antes de cada utilização: 1. Defina o botão de engate RSQ para a posição de descida (Diagrama 4). 2. Segure na linha de vida e puxe com firmeza para engatar o mecanismo de descida. 3. Continue a puxar suavemente para fora cerca de 3 pés (1 m) de cabo. Deve sentir-se uma resistência constante quando se puxar o cabo.	<input type="checkbox"/>	<input type="checkbox"/>
Manivela manual de resgate integrada (Figura 19)	Verifique se existem distorções ou outros danos no braço da manivela (A). Certifique-se de que a pega de resgate (B) pode ser rodada e fixada na posição de acionamento.	<input type="checkbox"/>	<input type="checkbox"/>
	Certifique-se de que é possível puxar o botão de engate de resgate (C) para a posição de desbloqueio e, em seguida, soltá-lo, bloqueando o braço da manivela em ambas as posições de engate e de desengate.	<input type="checkbox"/>	<input type="checkbox"/>
	Teste o modo de resgate para garantir um funcionamento adequado, levantando e baixando um peso de teste com pelo menos 75 libras (34 kg). Quando a pega de resgate é solta, o peso não deve mover-se e a pega deve manter-se em posição (sem qualquer movimento). Deve ouvir-se distintamente um som de "cliques" aquando da elevação da carga.	<input type="checkbox"/>	<input type="checkbox"/>
<b>Ação corretiva/manutenção:</b>		Aprovado por:	
		Data:	
<b>Ação corretiva/manutenção:</b>		Aprovado por:	
		Data:	
<b>Ação corretiva/manutenção:</b>		Aprovado por:	
		Data:	
<b>Ação corretiva/manutenção:</b>		Aprovado por:	
		Data:	
<b>Ação corretiva/manutenção:</b>		Aprovado por:	
		Data:	
<b>Ação corretiva/manutenção:</b>		Aprovado por:	
		Data:	

<p align="center"><b>GLOBAL PRODUCT WARRANTY, LIMITED REMEDY AND LIMITATION OF LIABILITY</b></p> <p><b>WARRANTY:</b> THE FOLLOWING IS MADE IN LIEU OF ALL WARRANTIES OR CONDITIONS, EXPRESS OR IMPLIED, INCLUDING THE IMPLIED WARRANTIES OR CONDITIONS OF MERCHANTABILITY OR FITNESS FOR A PARTICULAR PURPOSE.</p> <p>Unless otherwise provided by local laws, 3M fall protection products are warranted against factory defects in workmanship and materials for a period of one year from the date of installation or first use by the original owner.</p> <p><b>LIMITED REMEDY:</b> Upon written notice to 3M, 3M will repair or replace any product determined by 3M to have a factory defect in workmanship or materials. 3M reserves the right to require product be returned to its facility for evaluation of warranty claims. This warranty does not cover product damage due to wear, abuse, misuse, damage in transit, failure to maintain the product or other damage beyond 3M's control. 3M will be the sole judge of product condition and warranty options.</p> <p>This warranty applies only to the original purchaser and is the only warranty applicable to 3M's fall protection products. Please contact 3M's customer service department in your region for assistance.</p> <p><b>LIMITATION OF LIABILITY:</b> TO THE EXTENT PERMITTED BY LOCAL LAWS, 3M IS NOT LIABLE FOR ANY INDIRECT, INCIDENTAL, SPECIAL OR CONSEQUENTIAL DAMAGES INCLUDING, BUT NOT LIMITED TO LOSS OF PROFITS, IN ANY WAY RELATED TO THE PRODUCTS REGARDLESS OF THE LEGAL THEORY ASSERTED.</p>	<p align="center"><b>GLOBALE PRODUKTGARANTIE, BESCHRÄNKTES RECHTSMITTEL UND HAFTUNGSBESCHRÄNKUNG</b></p> <p><b>GARANTIE:</b> FOLGENDES GILT STELLVERTRETEND FÜR ALLE GARANTIEEN ODER BEDINGUNGEN, EINSCHLIESSLICH STILLSCHWEIGEND ANGENOMMENER GARANTIEEN ODER BEDINGUNGEN HINSICHTLICH DER TAUGLICHKEIT ODER EIGNUNG FÜR EINEN BESTIMMTEN ZWECK.</p> <p>Soweit gesetzlich nicht anders vorgeschrieben, werden bei 3M-Produkten für die Absturzsicherung werkseitige Mängel bei Verarbeitung und Material für einen Zeitraum von einem Jahr ab dem Datum der Installation oder der erstmaligen Benutzung durch den ursprünglichen Eigentümer garantiert.</p> <p><b>BESCHRÄNKTES RECHTSMITTEL:</b> Nach schriftlicher Mitteilung an 3M wird 3M jedes Produkt ersetzen oder austauschen, bei dem durch 3M ein werkseitiger Material- oder Verarbeitungsfehler festgestellt wird. 3M behält sich das Recht vor, die Rücksendung des Produkts an das Werk zur Beurteilung der Garantieansprüche zu verlangen. Unter dieser Garantie sind keine Schäden am Produkt gedeckt, die auf Verschleiß, Missbrauch, Transportschäden, Versäumnis der Instandhaltung des Produkts oder sonstige außerhalb der Kontrolle von 3M liegende Schäden zurückzuführen sind. 3M trifft alle Entscheidungen über Produktzustand und Garantieoptionen.</p> <p>Diese Garantie gilt ausschließlich für den ursprünglichen Käufer und ist die einzige, die für Absturzschutzprodukte von 3M maßgeblich ist. Kontaktieren Sie bitte die Kunden-Service-Abteilung, um Unterstützung zu erhalten.</p> <p><b>HAFTUNGSBESCHRÄNKUNG:</b> SOWEIT NACH GELTENDEM RECHT ZULÄSSIG, IST 3M NICHT HAFTBAR FÜR UNMITTELBARE, MITTELBARE, BESONDERE SCHÄDEN ODER FOLGESCHÄDEN JEDER ART, EINSCHLIESSLICH VON VERLUST VON GEWINN, DER IM ZUSAMMENHANG MIT DEN PRODUKTEN ENTSTEHT, UNGEACHTET DER ANGEFÜHRTEN RECHTSTHEORIE.</p>
<p align="center"><b>WERELDWIJDE PRODUCTGARANTIE, BEPERKTE VERHAALSMOGELIJKHEID EN BEPERKING VAN AANSPRAKELIJKHEID</b></p> <p><b>GARANTIE:</b> DE VOLGENDE BEPALING VERVANGT ALLE GARANTIES OF VOORWAARDEN, EXPLICIET OF IMPLICIET, INCLUSIEF DE IMPLICIETE GARANTIES OF VOORWAARDEN VAN VERKOOPBAARHEID OF GESCHIKTHEID VOOR EEN BEPAALD DOEL.</p> <p>Tenzij anders is bepaald door lokale wetgeving, zijn valbeschermingsproducten van 3M voorzien van een garantie op fabrieksfouten door fabricage- en materiaalgebreken gedurende een periode van één jaar na de datum van installatie of het eerste gebruik door de oorspronkelijke eigenaar.</p> <p><b>BEPERKTE VERHAALSMOGELIJKHEID:</b> Na schriftelijke kennisgeving aan 3M zal 3M eender welk product repareren of vervangen waarvan 3M heeft vastgesteld dat het een fabrieksfout heeft door een fabricage- of materiaalgebrek. 3M behoudt zich het recht voor om te eisen dat het product naar zijn vestiging wordt getoernd om de garantieaanspraken te beoordelen. Deze garantie is niet van toepassing op productschade door slijtage, oneigenlijk gebruik, misbruik, transportschade, nalatigheid bij onderhoud van het product of andere schade waarover 3M geen controle heeft. 3M zal als enige oordelen over de toestand van het product en garantieopties.</p> <p>Deze garantie is alleen van toepassing op de oorspronkelijke koper en is de enige garantie die van toepassing is op valbeschermingsproducten van 3M. Neem contact op met de klantendienst van 3M voor uw regio als u assistentie wenst.</p> <p><b>BEPERKING VAN AANSPRAKELIJKHEID:</b> VOOR ZOVER TOEGESTAAN DOOR LOKALE WETGEVING, IS 3M NIET AANSPRAKELIJK VOOR ENIGE INDIRECTE, INCIDENTELE, SPECIALE OF GEVOLGSCHADE, INCLUSIEF, MAAR NIET BEPERKT TOT, WINSTVERLIES, DIE OP ENIGE WIJZE VERBAND HOUDT MET DE PRODUCTEN, ONGEACHT DE RECHTSLER DIE WORDT AANGEHAALD.</p>	<p align="center"><b>GARANTIE PRODUIT INTERNATIONALE, RECOURS LIMITÉ ET LIMITATION DE LA RESPONSABILITÉ</b></p> <p><b>GARANTIE :</b> LES DISPOSITIONS SUIVANTES SONT PRISES EN LIEU ET PLACE DE TOUTES LES GARANTIES OU CONDITIONS, EXPRESSES OU IMPLICITES, Y COMPRIS LES GARANTIES OU CONDITIONS IMPLICITES DE QUALITÉ MARCHANDE OU D'ADAPTATION À UN USAGE SPÉCIFIQUE.</p> <p>À moins d'un conflit avec une législation locale, les produits antichute de 3M sont garantis contre les défauts de fabrication en usine et de matériaux pendant une période d'un an à compter de la date d'installation ou de la première utilisation par le propriétaire initial.</p> <p><b>RECOURS LIMITÉ :</b> Sur demande écrite à 3M, 3M s'engage à réparer ou remplacer tout produit considéré par 3M comme souffrant d'un défaut de fabrication en usine ou de matériaux. 3M se réserve le droit d'exiger que le produit lui soit retourné pour une évaluation de la réclamation au titre de la garantie. Cette garantie ne couvre pas les dommages du produit liés à l'usure, aux abus, à la mauvaise utilisation, aux dommages liés aux transports, au manque d'entretien du produit ou tout autre dommage indépendant du contrôle de 3M. 3M sera l'unique juge de la condition du produit et des options de la garantie.</p> <p>Cette garantie ne s'applique qu'au propriétaire initial et elle constitue l'unique garantie s'appliquant aux produits antichute de 3M. Veuillez contacter le service à la clientèle 3M de votre région pour obtenir de l'assistance.</p> <p><b>LIMITATION DE LA RESPONSABILITÉ :</b> DANS LES MESURES PERMISES PAR LA LÉGISLATION LOCALE, 3M N'EST PAS RESPONSABLE POUR TOUT DOMMAGE INDIRECT, ACCESSOIRE, SPÉCIFIQUE OU CONSÉCUTIF, Y COMPRIS, MAIS SANS S'Y LIMITER, LA PERTE DE PROFITS, LIÉE DE QUELQUE MANIÈRE QUE CE SOIT AUX PRODUITS, MALGRÉ LA THÉORIE JURIDIQUE REVENDIQUÉE.</p>
<p align="center"><b>GARANZIA GLOBALE SUL PRODOTTO, RIMEDIO LIMITATO E LIMITAZIONE DI RESPONSABILITÀ</b></p> <p><b>GARANZIA:</b> LA SEGUENTE GARANZIA SOSTITUISCE TUTTE LE GARANZIE O CONDIZIONI, ESPRESSE O IMPLICITE, COMPRESSE LE GARANZIE O CONDIZIONI IMPLICITE DI COMMERCIALITÀ O IDONEITÀ PER UN PARTICOLARE SCOPO.</p> <p>Salvo ove diversamente specificato dalle leggi locali, i prodotti di protezione anticaduta 3M sono garantiti da difetti di fabbricazione e dei materiali per un periodo di un anno dalla data di installazione o di primo utilizzo da parte del proprietario originale.</p> <p><b>RIMEDIO LIMITATO:</b> previa comunicazione scritta a 3M, 3M riparerà o sostituirà qualsiasi prodotto in cui 3M avrà individuato un difetto di fabbricazione o dei materiali. 3M si riserva il diritto di richiedere la restituzione del prodotto all'impianto per la valutazione della richiesta di risarcimento in garanzia. La presente garanzia non copre i danni al prodotto causati da usura, abuso, utilizzo errato, trasporto o mancata manutenzione del prodotto o altri danni avvenuti fuori dal controllo di 3M. 3M è la sola che potrà giudicare le condizioni del prodotto e le opzioni di garanzia.</p> <p>La presente garanzia è valida solo per l'acquirente originale ed è l'unica applicabile ai prodotti di protezione anticaduta 3M. Per assistenza, contattare il Servizio Clienti di 3M della propria area.</p> <p><b>LIMITAZIONE DI RESPONSABILITÀ:</b> NELLA MISURA CONSENTITA DALLE LEGGI LOCALI, 3M NON RISPONDE DI EVENTUALI DANNI INDIRETTI, INCIDENTALI, SPECIALI O CONSEGUENZIALI COMPRESI, SENZA LIMITAZIONE, DANNI PER PERDITA DI PROFITTO, IN QUALSIASI MODO COLLEGATI AI PRODOTTI INDIPENDENTEMENTE DALLA TEORIA LEGALE ASSERTITA.</p>	<p align="center"><b>GLOBAL PRODUKTGARANTI, BEGRENSET AVHJELP OG BEGRENSNING AV ERSTATNINGANSVAR</b></p> <p><b>GARANTI:</b> DET FØLGENDE KOMMER I STEDET FOR ALLE GARANTIER ELLER VILKÅR, UTTRYKKELIGE ELLER UNDERFORSTÅTTE, INKLUDERT DE UNDERFORSTÅTTE GARANTIENE ELLER VILKÅRENE OM SALGBARHET ELLER EGNETHET FOR ET BESTEMT FORMÅL.</p> <p>Med mindre annet er bestemt av lokale lover, er 3Ms fallsikringsprodukter garantert mot fabrikkasjonsfeil i håndverksmessig utførelse og materialer for en periode på ett år fra installasjonsdatoen eller første bruk av den opprinnelige eieren.</p> <p><b>BEGRENSET AVHJELP:</b> Ved skriftlig melding til 3M, vil 3M reparere eller erstatte ethvert produkt som av 3M fastslås å ha en fabrikkasjonsfeil i håndverksmessig utførelse eller materialer. 3M forbeholder seg retten til å kreve at produktet blir levert tilbake til fabrikk for evaluering av garantikrav. Denne garantien dekker ikke produktskade grunnet slitasje, misbruk, skade i transit, unnlatelse av å vedlikeholde produktet eller annen skade utenfor 3Ms kontroll. 3M vil være den eneste til å bedømme produktvilkår og alternativalternativer.</p> <p>Denne garantien gjelder kun den opprinnelige kjøperen og er den eneste garantien som er anvendelig for 3Ms fallsikringsprodukter. Vennligst kontakt 3Ms kundeserviceavdeling i ditt område for hjelp.</p> <p><b>BEGRENSNING AV ERSTATNINGANSVAR:</b> I DEN UTSTREKNING DET ER TILLATT AV LOKALE LOVER, ER IKKE 3M ERSTATNINGANSVARLIG FOR NOEN SOM HELST INDIREKTE, HENDELIGE, SPESIELLE ELLER FØLGEMESSIGE SKADER INKLUDERT, MEN IKKE BEGRENSET TIL TAP AV FORTJENESTE, PÅ NOEN SOM HELST MÅTE FORBUNDET MED PRODUKTENE, UAVHENGIG AV HVILKEN JURIDISK TEORI SOM PÅBEROPES.</p>
<p align="center"><b>GARANTIA GLOBAL DO PRODUTO, REPARAÇÃO LIMITADA E LIMITAÇÃO DE RESPONSABILIDADE</b></p> <p><b>GARANTIA:</b> A SEGUINTE É FEITA EM LUGAR DE TODAS AS GARANTIAS OU CONDIÇÕES, EXPRESSAS OU IMPLÍCITAS, INCLUINDO AS GARANTIAS OU CONDIÇÕES DE COMERCIALIZAÇÃO OU ADEQUAÇÃO A UM DETERMINADO FIM.</p> <p>Salvo disposição em contrário pelas leis locais, os produtos de proteção contra quedas da 3M têm garantia contra defeitos de fábrica, quer no fabrico, quer nos materiais, por um período de um ano, a partir da data de instalação ou da primeira utilização pelo proprietário original.</p> <p><b>REPARAÇÃO LIMITADA:</b> Após a notificação por escrito à 3M, a 3M irá reparar ou substituir qualquer produto que a 3M determinar ter um defeito de fábrica no fabrico ou nos materiais. A 3M reserva-se o direito de exigir que o produto seja devolvido às suas instalações para avaliação das solicitações de garantia. Esta garantia não cobre danos ao produto devidos ao desgaste, abuso, mau uso, danos durante o transporte, falha na manutenção do produto ou outros danos fora do controle da 3M. A 3M será o único juiz da condição do produto e opções de garantia.</p> <p>Esta garantia aplica-se somente ao comprador original e é a única garantia aplicável aos produtos de proteção contra quedas da 3M. Entre em contato com o departamento de atendimento ao cliente da 3M na sua área para obter assistência.</p> <p><b>LIMITAÇÃO DE RESPONSABILIDADE:</b> NA MEDIDA DO PERMITIDO PELAS LEIS LOCAIS, A 3M NÃO SE RESPONSABILIZA POR QUAISQUER DANOS INDIRETOS, INCIDENTAIS, ESPECIAIS OU CONSEQUENTES, INCLUINDO, MAS NÃO SE LIMITANDO À PERDA DE LUCROS DE ALGUMA FORMA RELACIONADA COM OS PRODUTOS, INDEPENDENTEMENTE DA BASE LEGAL INVOCADA.</p>	<p align="center"><b>GARANTÍA GLOBAL DE PRODUCTO, COMPENSACIÓN LIMITADA Y LIMITACIÓN DE RESPONSABILIDAD</b></p> <p><b>GARANTÍA:</b> LAS SIGUIENTES DISPOSICIONES PREVALECIERÁN SOBRE CUALQUIER GARANTÍA O CONDICIÓN, EXPRESA O IMPLÍCITA, INCLUIDAS LAS CONDICIONES O GARANTÍAS IMPLÍCITAS DE COMERCIALIZACIÓN O IDONEIDAD PARA UN FIN ESPECÍFICO.</p> <p>Salvo que la legislación local estipule lo contrario, los productos de protección contra caídas de 3M están garantizados contra defectos de fabricación de mano de obra y materiales durante un periodo de un año a partir de la fecha de instalación o del primer uso por parte del propietario original.</p> <p><b>COMPENSACIÓN LIMITADA:</b> Tras recibir comunicación por escrito, 3M reparará o sustituirá los productos que considere que tienen un defecto de fabricación de mano de obra o materiales. 3M se reserva el derecho a solicitar la devolución del producto a sus instalaciones para evaluar las reclamaciones de garantía. Esta garantía no cubre los daños en el producto resultantes de desgaste, mal uso, uso indebido, daños durante el tránsito, mantenimiento inapropiado del producto o daños que escapen al control de 3M. 3M será el único con derecho a determinar el estado del producto y las opciones de garantía.</p> <p>Esta garantía puede ser utilizada únicamente por el comprador original y es la única que cubre los productos de protección contra caídas de 3M. Si necesita ayuda, póngase en contacto con el departamento de servicios de atención al cliente de 3M.</p> <p><b>LIMITACIÓN DE RESPONSABILIDAD:</b> EN LA MEDIDA QUE LO PERMITA LA LEGISLACIÓN LOCAL, 3M NO SE RESPONSABILIZARÁ DE LOS DAÑOS INDIRECTOS, FORTUITOS, ESPECIALES O RESULTANTES, INCLUIDA LA PÉRDIDA DE GANANCIA, RELACIONADOS DE MANERA ALGUNA CON LOS PRODUCTOS, INDEPENDIENTEMENTE DE LOS FUNDAMENTOS LEGALES QUE SE ALEGUEN.</p>









## GLOBAL PRODUCT WARRANTY, LIMITED REMEDY AND LIMITATION OF LIABILITY

**WARRANTY:** THE FOLLOWING IS MADE IN LIEU OF ALL WARRANTIES OR CONDITIONS, EXPRESS OR IMPLIED, INCLUDING THE IMPLIED WARRANTIES OR CONDITIONS OF MERCHANTABILITY OR FITNESS FOR A PARTICULAR PURPOSE.

Unless otherwise provided by local laws, 3M fall protection products are warranted against factory defects in workmanship and materials for a period of one year from the date of installation or first use by the original owner.

**LIMITED REMEDY:** Upon written notice to 3M, 3M will repair or replace any product determined by 3M to have a factory defect in workmanship or materials. 3M reserves the right to require product be returned to its facility for evaluation of warranty claims. This warranty does not cover product damage due to wear, abuse, misuse, damage in transit, failure to maintain the product or other damage beyond 3M's control. 3M will be the sole judge of product condition and warranty options.

This warranty applies only to the original purchaser and is the only warranty applicable to 3M's fall protection products. Please contact 3M's customer service department in your region for assistance.

**LIMITATION OF LIABILITY:** TO THE EXTENT PERMITTED BY LOCAL LAWS, 3M IS NOT LIABLE FOR ANY INDIRECT, INCIDENTAL, SPECIAL OR CONSEQUENTIAL DAMAGES INCLUDING, BUT NOT LIMITED TO LOSS OF PROFITS, IN ANY WAY RELATED TO THE PRODUCTS REGARDLESS OF THE LEGAL THEORY ASSERTED.

# 3M



Fall Protection

### USA

3833 SALA Way  
Red Wing, MN 55066-5005  
Toll Free: 800.328.6146  
Phone: 651.388.8282  
Fax: 651.388.5065  
3Mfallprotection@mmm.com

### Brazil

Rua Anne Frank, 2621  
Boqueirão Curitiba PR  
81650-020  
Brazil  
Phone: 0800-942-2300  
falecoma3m@mmm.com

### Mexico

Calle Norte 35, 895-E  
Col. Industrial Vallejo  
C.P. 02300 Azcapotzalco  
Mexico D.F.  
Phone: (55) 57194820  
3msaludocupacional@mmm.com

### Colombia

Compañía Latinoamericana de Seguridad S.A.S.  
Carrera 106 #15-25 Interior 105 Manzana 15  
Zona Franca - Bogotá, Colombia  
Phone: 57 1 6014777  
fallprotection-co@mmm.com

### Canada

260 Export Boulevard  
Mississauga, ON L5S 1Y9  
Phone: 905.795.9333  
Toll-Free: 800.387.7484  
Fax: 888.387.7484  
3Mfallprotection-ca@mmm.com

### EMEA (Europe, Middle East, Africa)

*EMEA Headquarters:*  
Le Broc Center  
Z.I. 1re Avenue - BP15  
06511 Carros Le Broc Cedex  
France  
Phone: + 33 04 97 10 00 10  
Fax: + 33 04 93 08 79 70  
informationfallprotection@mmm.com

### Australia & New Zealand

95 Derby Street  
Silverwater  
Sydney NSW 2128  
Australia  
Phone: +(61) 2 8753 7600  
Toll-Free : 1800 245 002 (AUS)  
Toll-Free : 0800 212 505 (NZ)  
Fax: +(61) 2 8753 7603  
anzfallprotectionsales@mmm.com

### Asia

*Singapore:*  
1 Yishun Avenue 7  
Singapore 768923  
Phone: +65-6450 8888  
Fax: +65-6552 2113  
TotalFallProtection@mmm.com

### Shanghai:

19/F, L'Avenue, No.99 Xian Xia Rd  
Shanghai 200051, P R China  
Phone: +86 21 62539050  
Fax: +86 21 62539060  
3MFallProtection-CN@mmm.com

### Korea:

3M Korea Ltd  
20F, 82, Uisadang-daero,  
Yeongdeungpo-gu, Seoul  
Phone: +82-80-033-4114  
Fax: +82-2-3771-4271  
TotalFallProtection@mmm.com

### Japan:

3M Japan Ltd  
6-7-29, Kitashinagawa, Shinagawa-ku, Tokyo  
Phone: +81-570-011-321  
Fax: +81-3-6409-5818  
psd.jp@mmm.com

WEBSITE:  
[3M.com/FallProtection](http://3M.com/FallProtection)



EU DECLARATION OF CONFORMITY:  
[3M.com/FallProtection/DOC](http://3M.com/FallProtection/DOC)