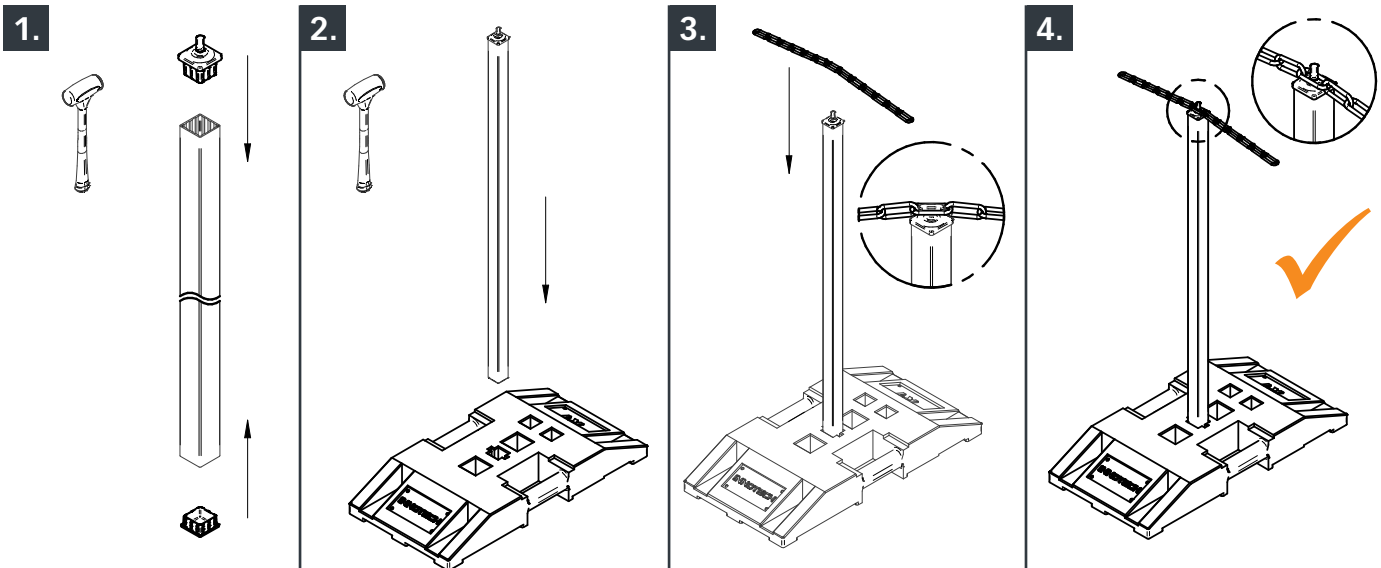
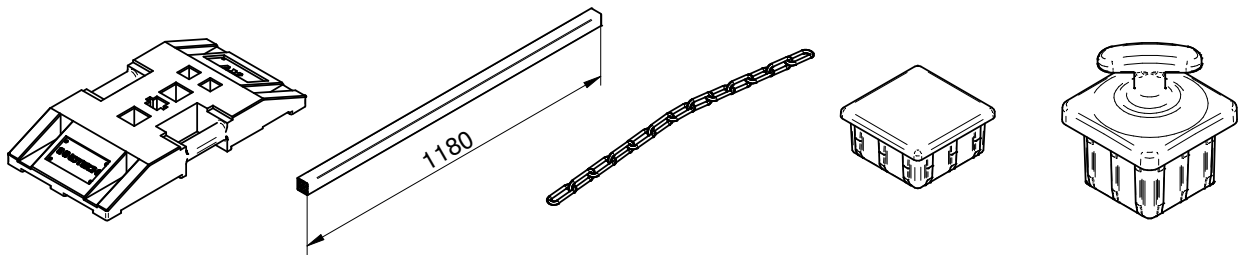
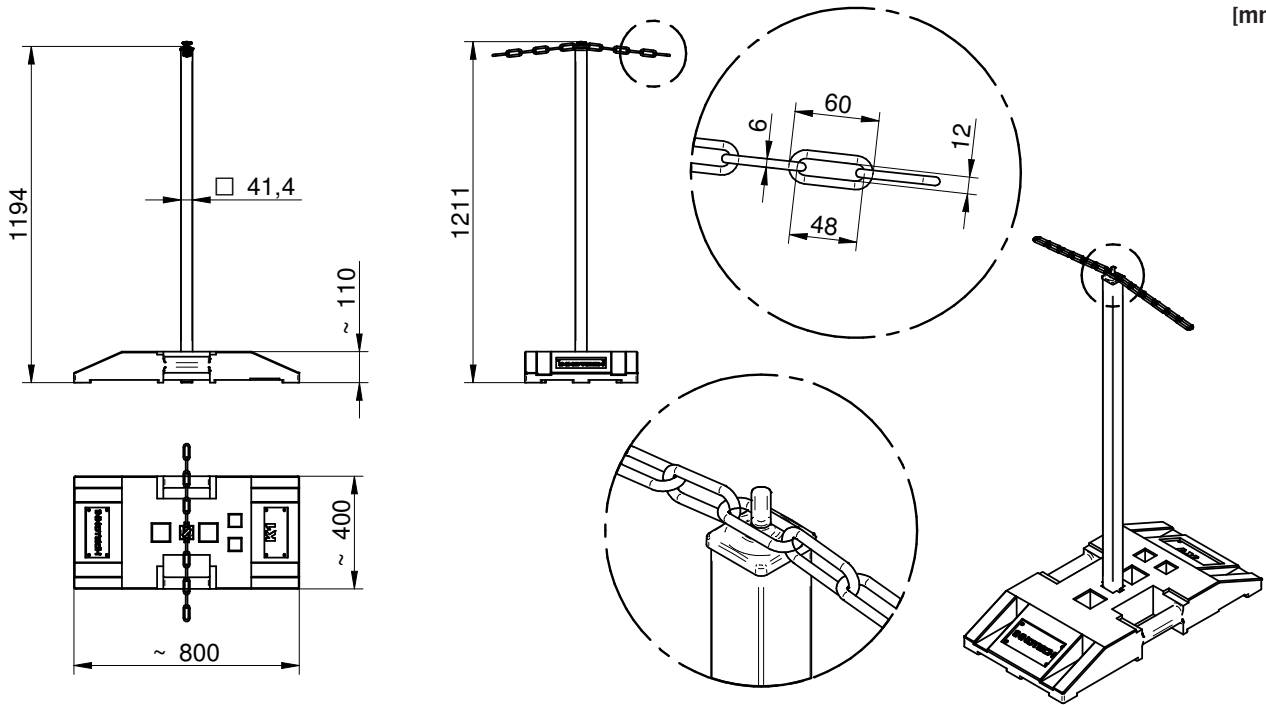




LIMIT



[mm]

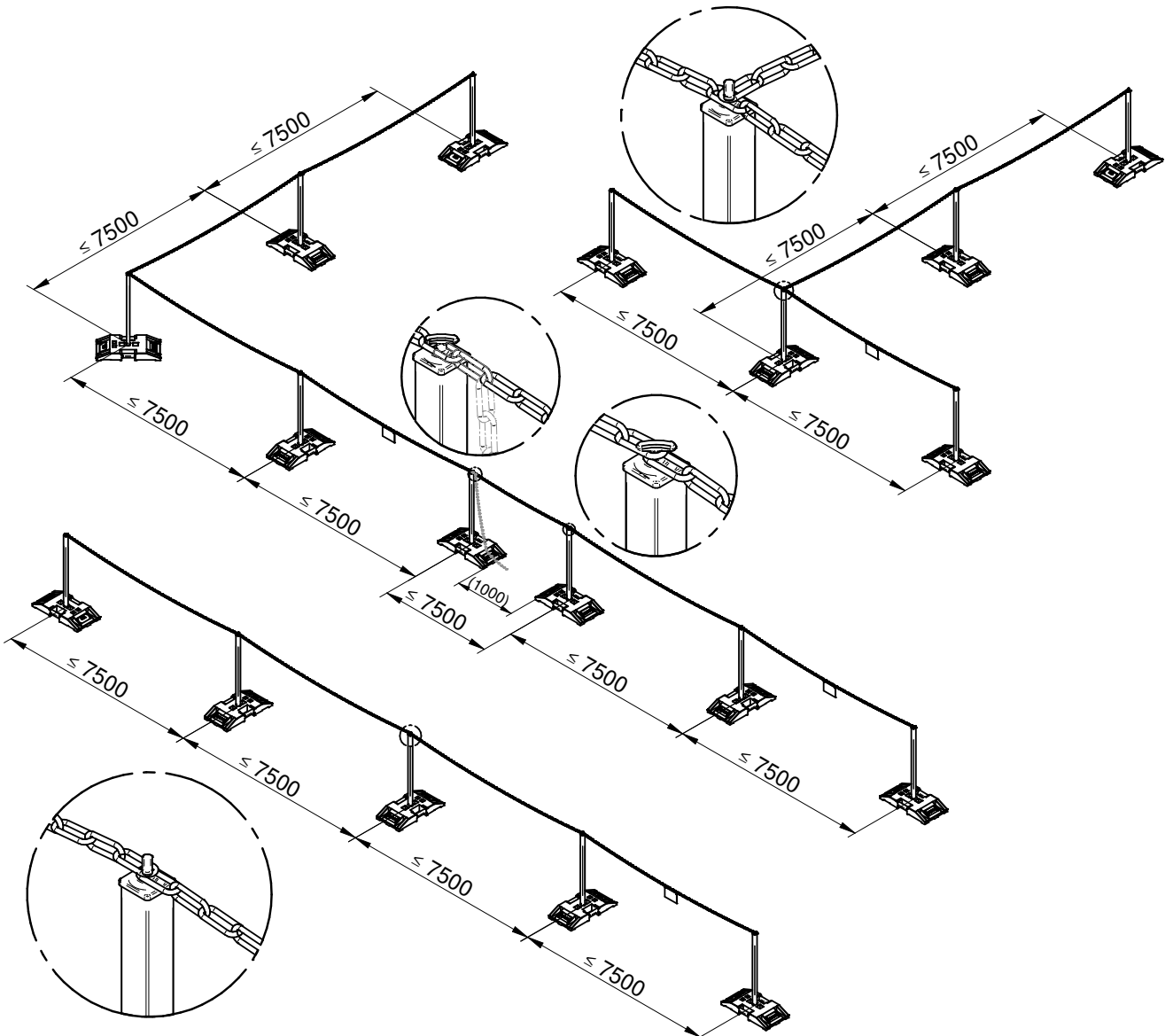
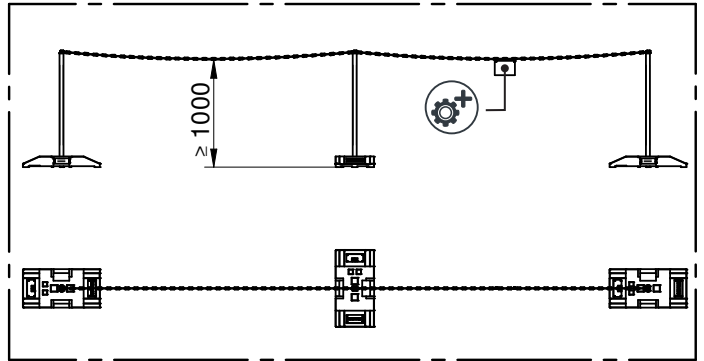
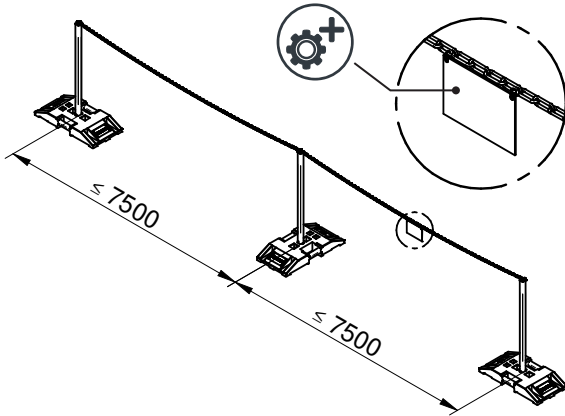




LIMIT

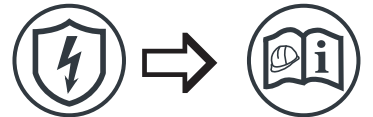
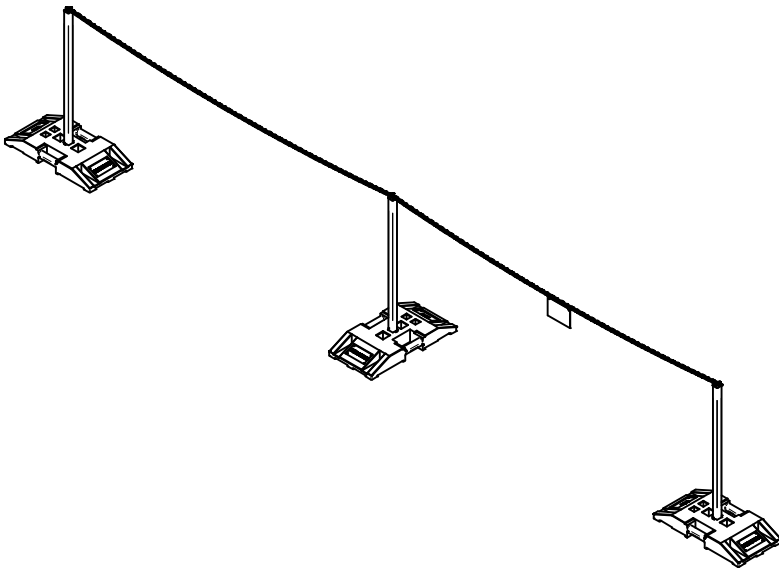
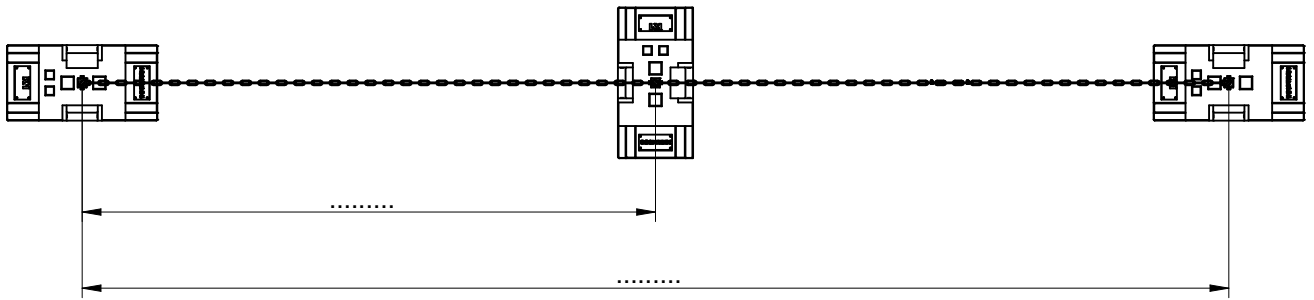
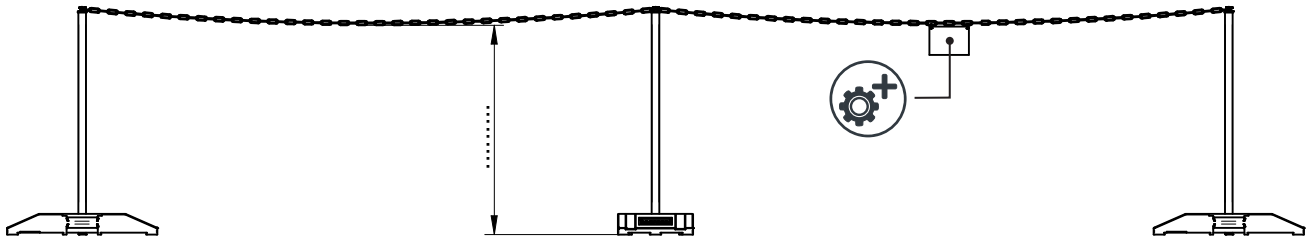


[mm]





LIMIT



Included in lightning protection system?

YES

NO



Customer



Contractor (qualified professional familiar with cemarcatons)

Date, company seal, signature

Date, company seal, signature